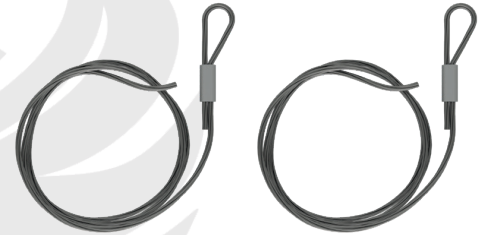




Spec Sheet - Cable Kit

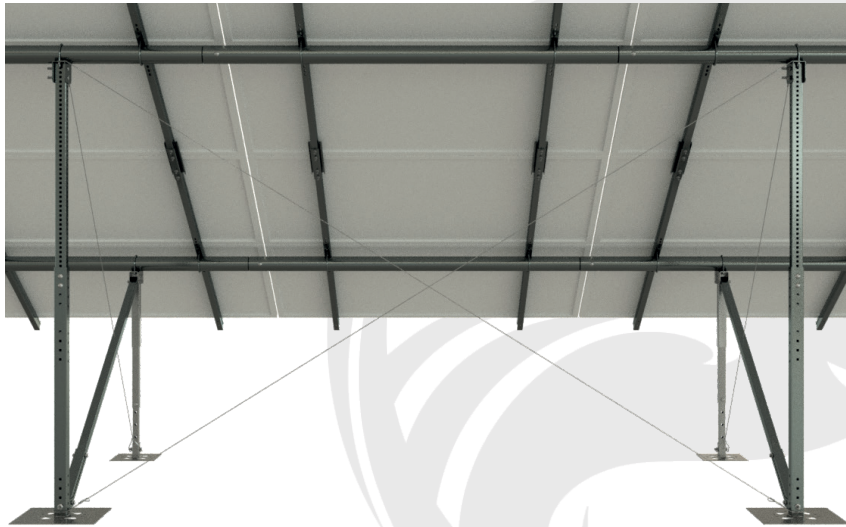
UNV CABLE BRACE x 2



GRIPPLE MEDIUM x 2



CABLE TENSION TOOL (Sold Separately)



Description

Cable Bracing

- Cross cables brace the table against lateral and seismic loads.
- Diagonal lateral braces transfer loads from high stress areas to the table to the foundation increasing stability.
- 3mm Aircraft high strength braided cable.
- Zinc Alluminized coating or Stainless depending on application.
- 20' length offers infinite adjustability.
- Cable Tension tool.

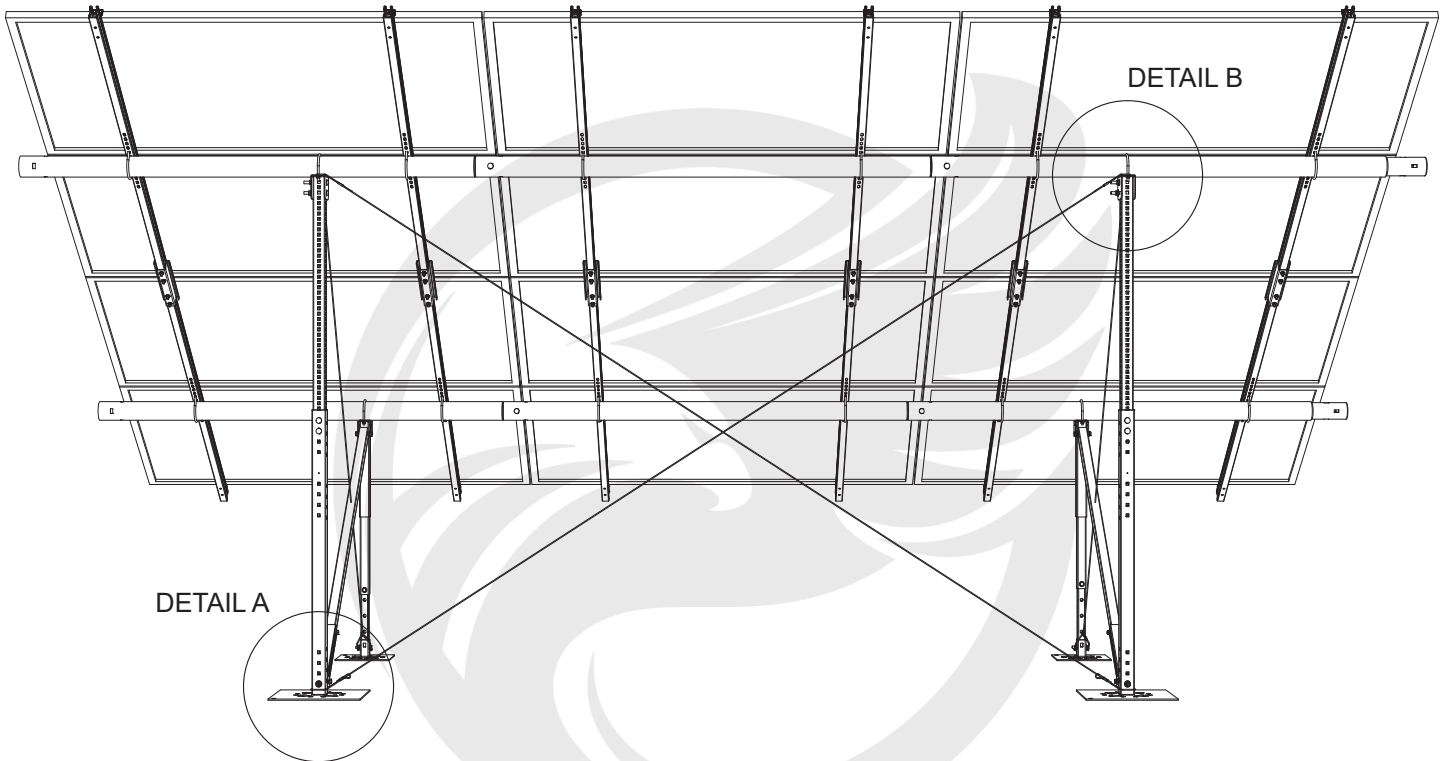
QTY.	PART DESCRIPTION	PART NUMBER
2.0	UNV CABLE BRACE	OPR-811-500-C18
2.0	GRIPPLE MEDIUM	



NUANCE ENERGY
Revolutionary Solar Racking Structures

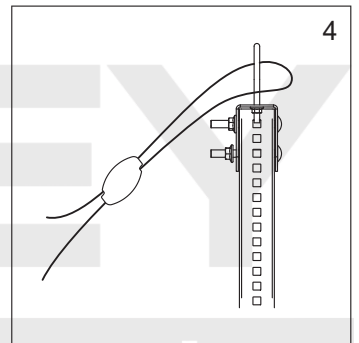
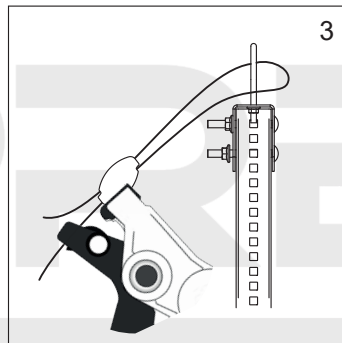
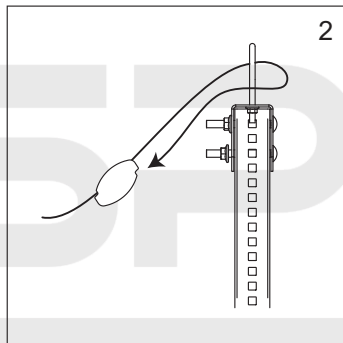
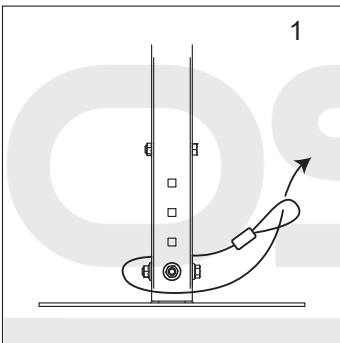


OSPREY
Power Rack



DETAIL A

DETAIL B



P o w e r R a c k

