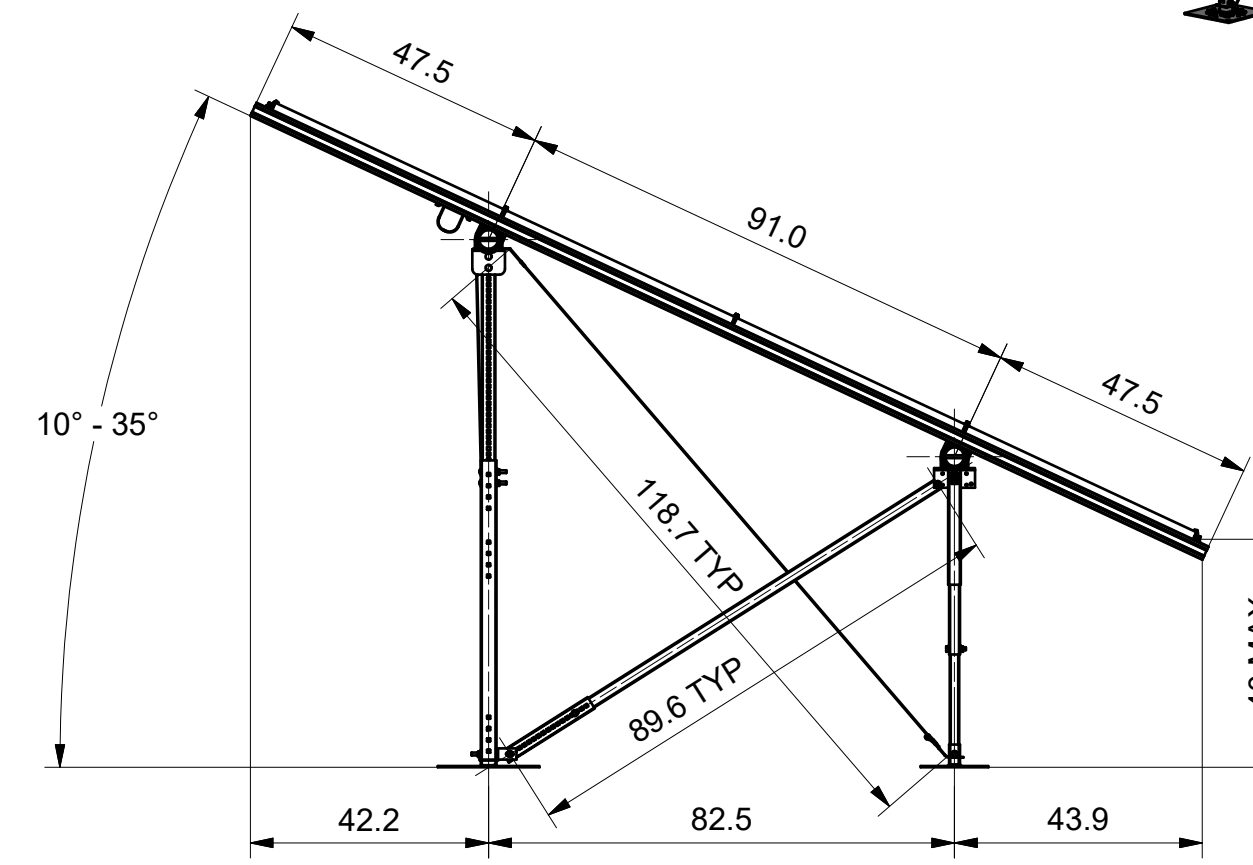
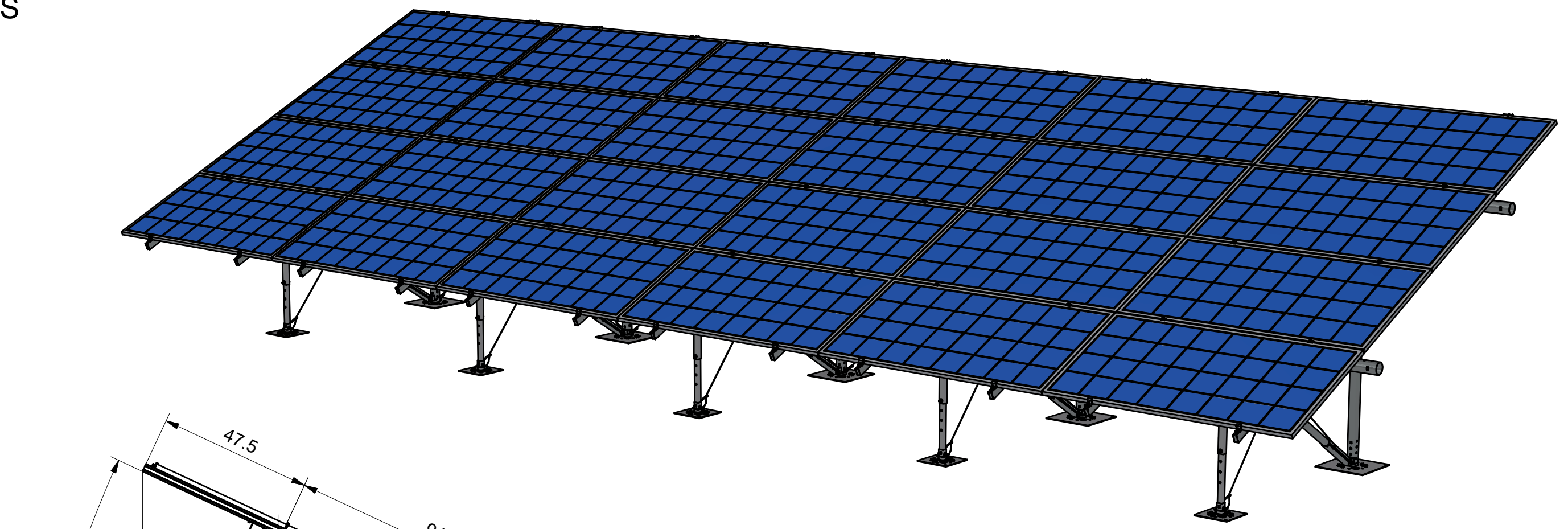
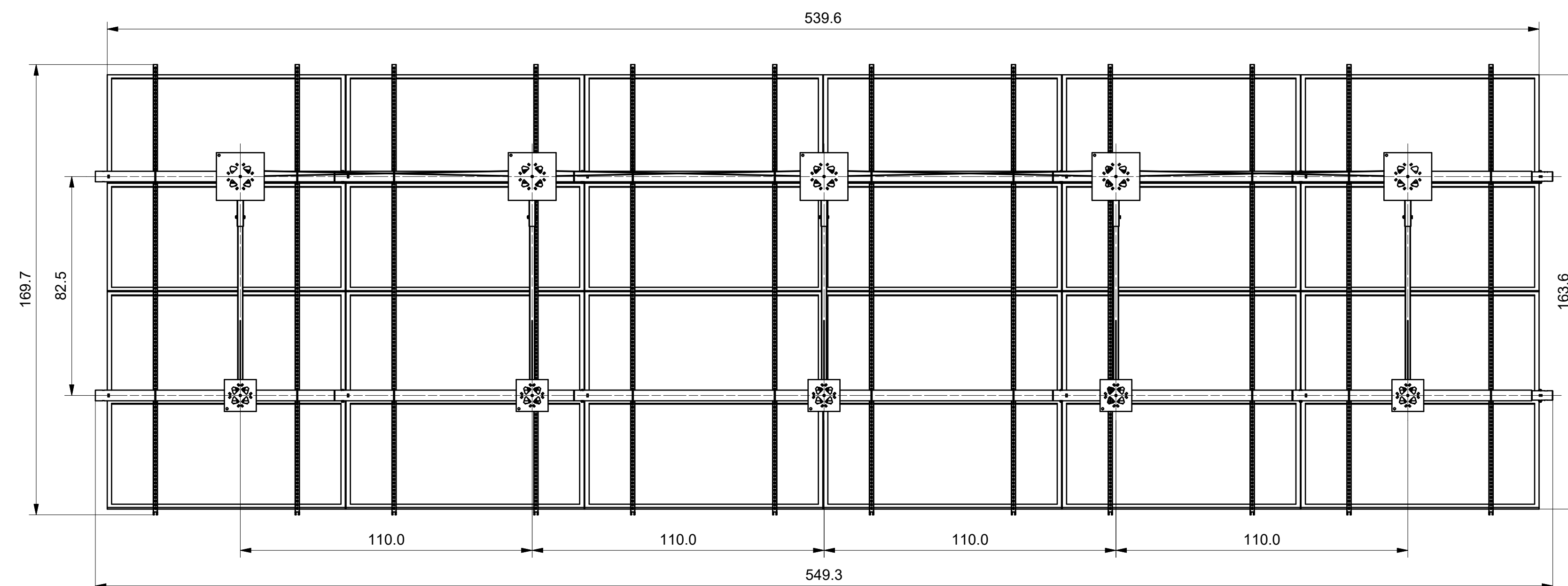
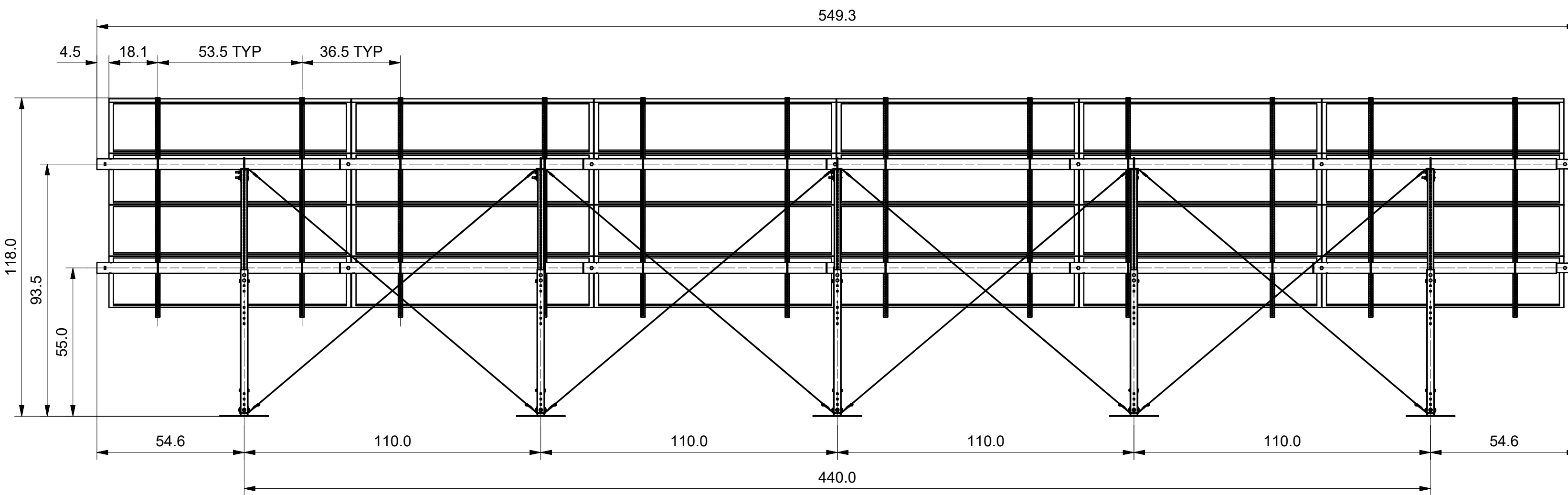
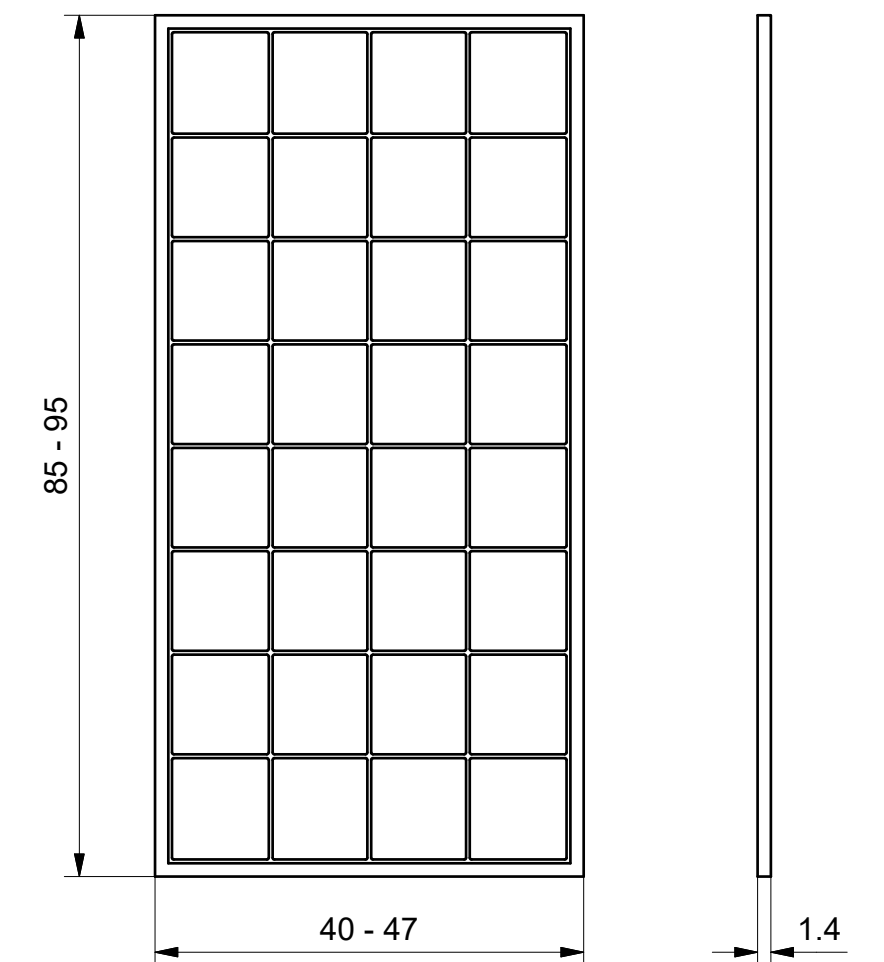


DRAWING DISPLAYS GENERAL DIMENSIONS NOT PROJECT SPECIFIC, CONSULT NUANCE REPRESENTATIVE FOR FINAL DIMENSIONS



SOLAR PANEL SCALE 1 / 20



NUANCE ENERGY
Revolutionary Solar Racking Structures



PROPRIETARY AND CONFIDENTIAL: THE INFORMATION CONTAINED HERE IN IS THE SOLE PROPERTY OF NUANCE ENERGY GROUP INC. ANY REPRODUCTION IN PART OR WHOLE WITHOUT WRITTEN PERMISSION IS PROHIBITED. (C) COPYRIGHT 2013. ALL RIGHTS RESERVED.

MATERIAL: STRUCTURAL STEEL 50KSI OR BETTER			CAD TECHNICIAN: Jorge D. Goytia Valdivia			DATE: 2/7/2023			<h2 style="text-align: center;">OSPREY POWERRACK MAX</h2>			
FINISH: GALVANIZED TO G90 OR BETTER			ENGINEER: ANDRES LONDONO			DATE: 2/7/2023						PART NUMBER: OPR 4 x 6
WEIGHT:			MANAGER: ANDRES LONDONO			DATE: 2/7/2023			SCALE: 1 / 34			
PE SIGNATURE:									Osprey Power Rack MAX 4 x 6			REV: 1.0
									DIMENSIONS IN INCHES, EXCEPT OTHERWISE SPECIFIED			MFG:
						SIZE: D			MACHINED FILLET RADII 0.38-1.27 [.015-.050]. BREAK ALL SHARP EDGES 0.2-0.8 [.01-.03] RADII OR 45°. SURFACE FINISH IN MICRO (P) INCHES (Ra). INTERPRET DRAWING PER ASME Y14.5, ASME Y14.36, AND AWS A2.4 STANDARDS.			1 OF 1