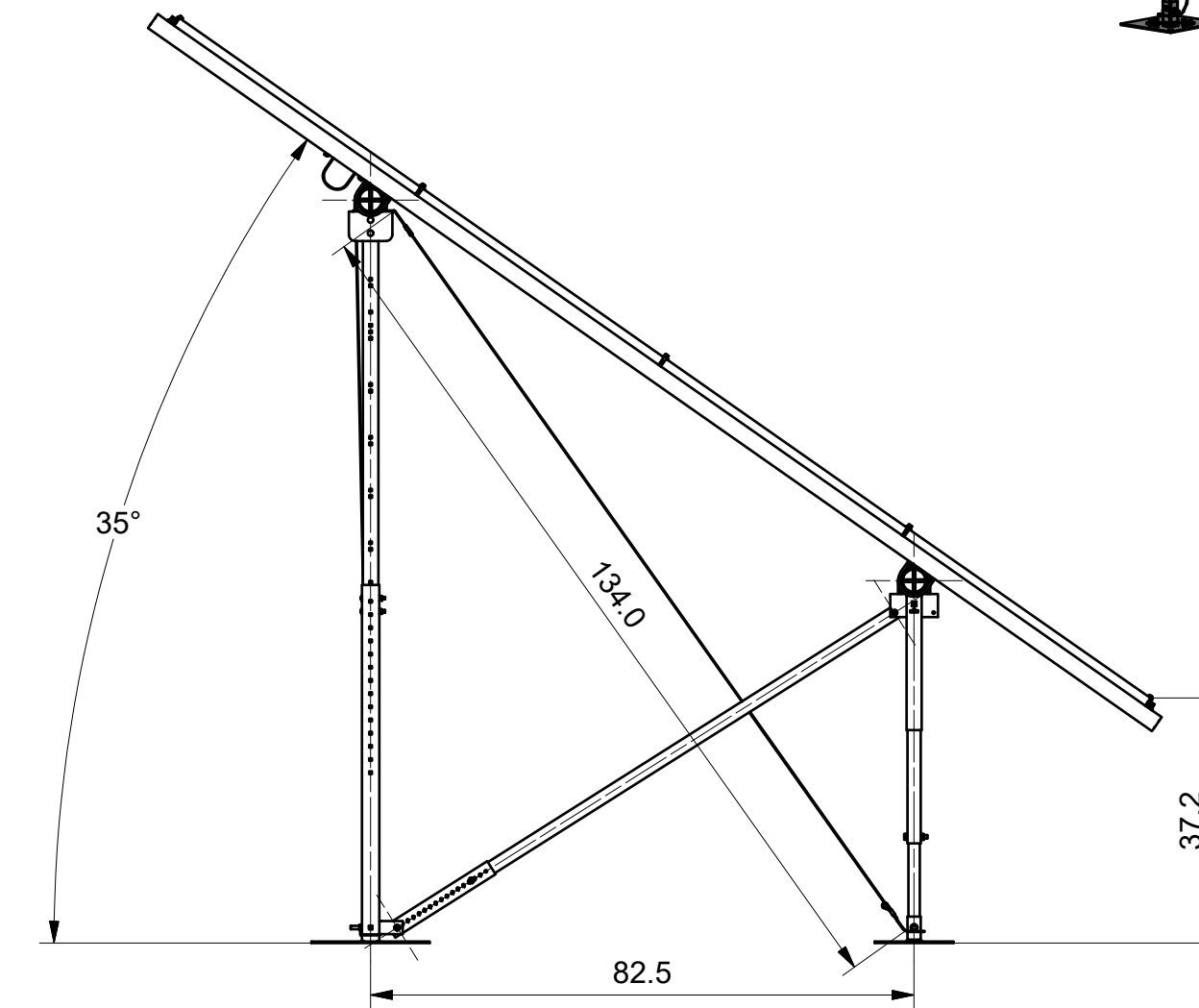
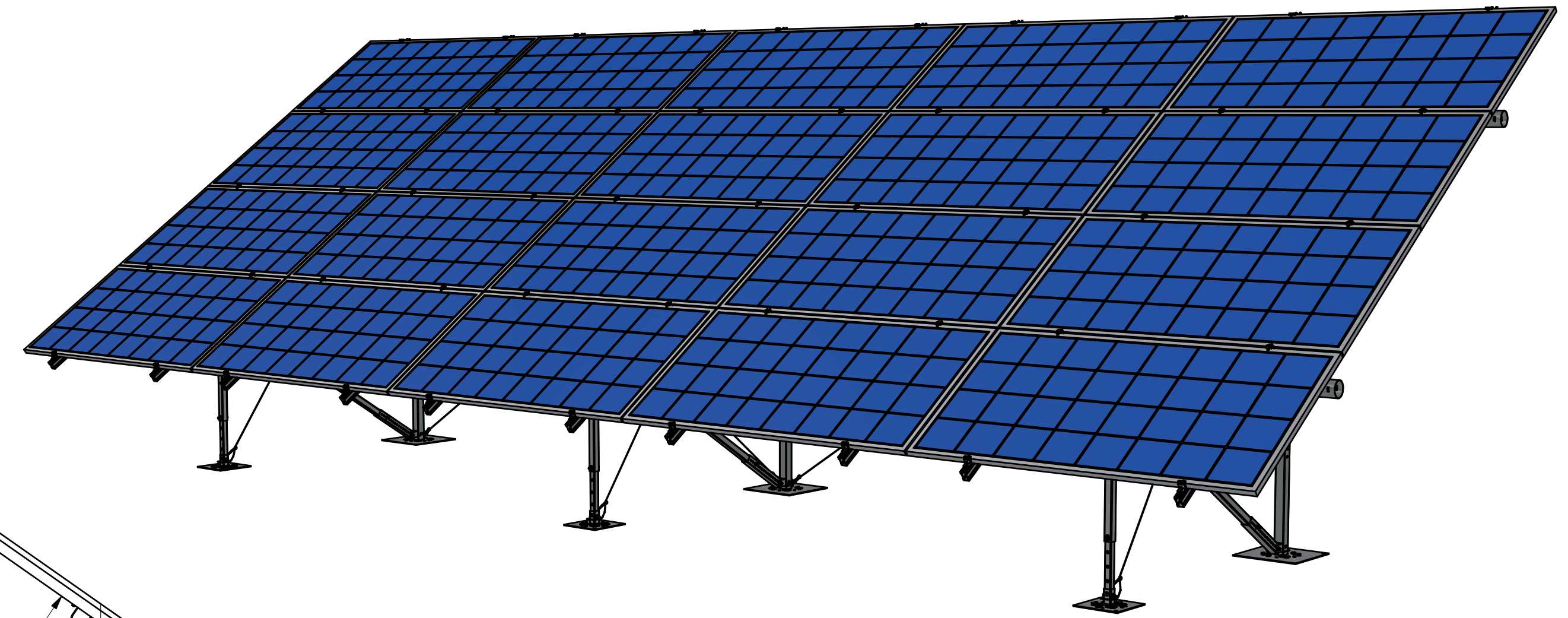
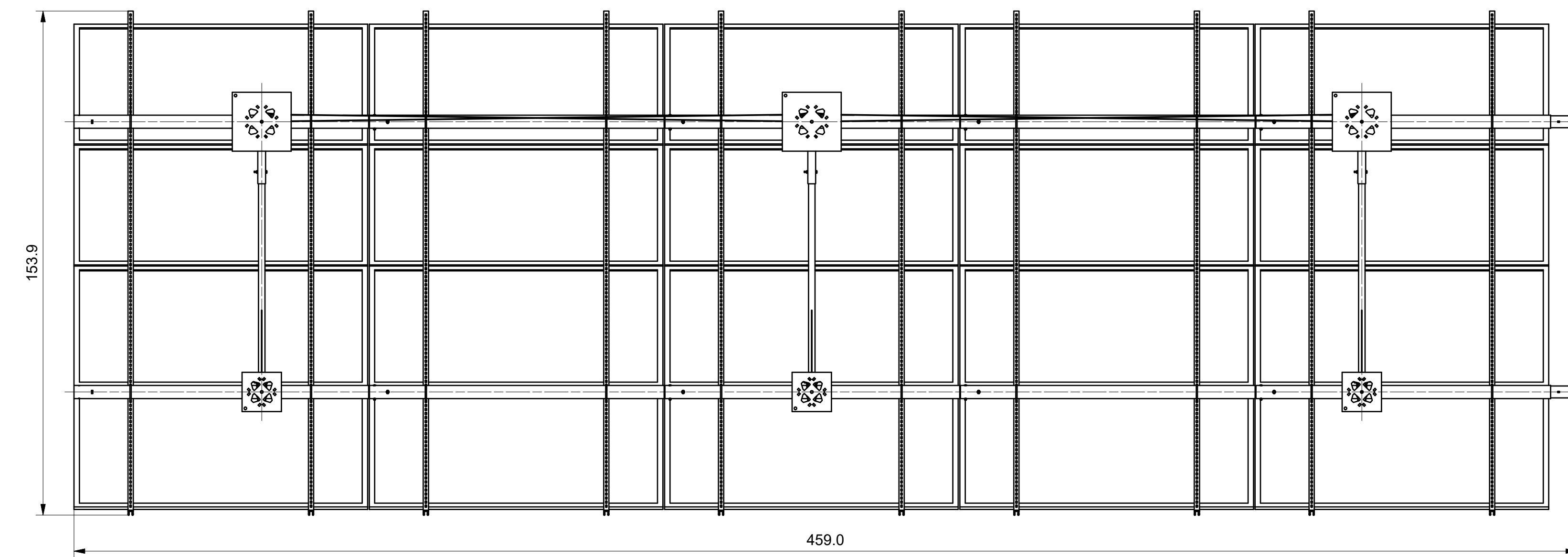
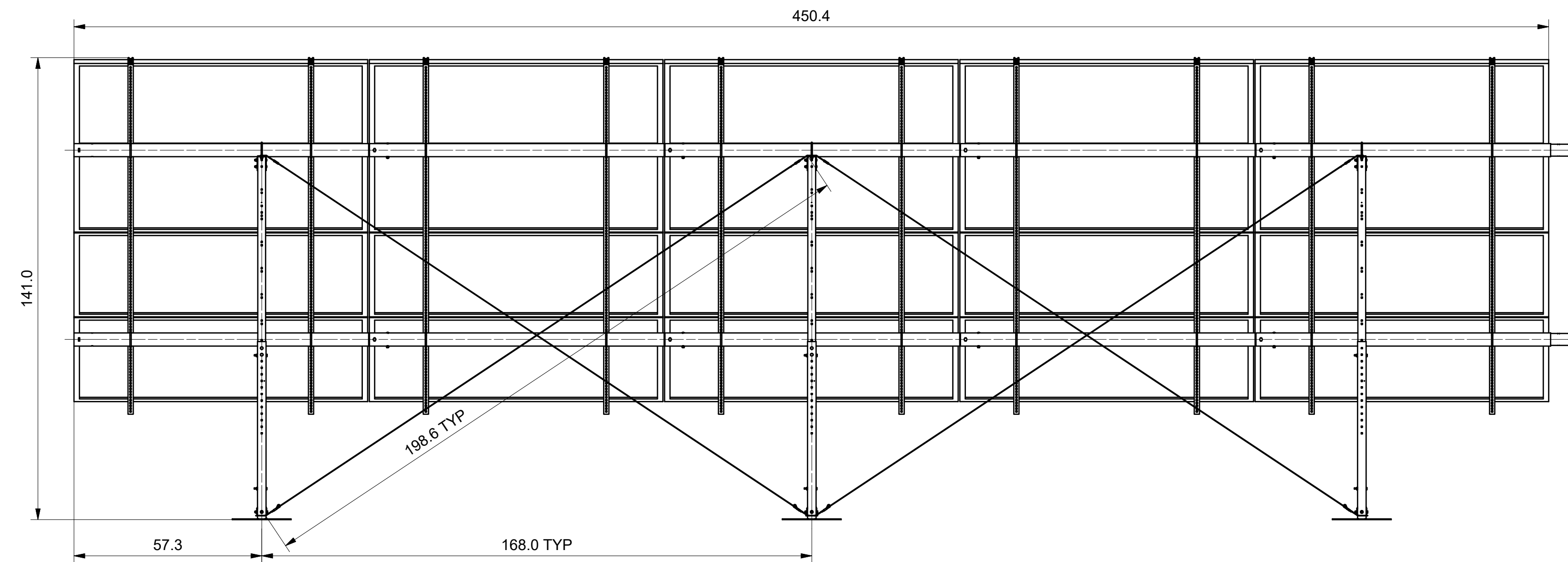
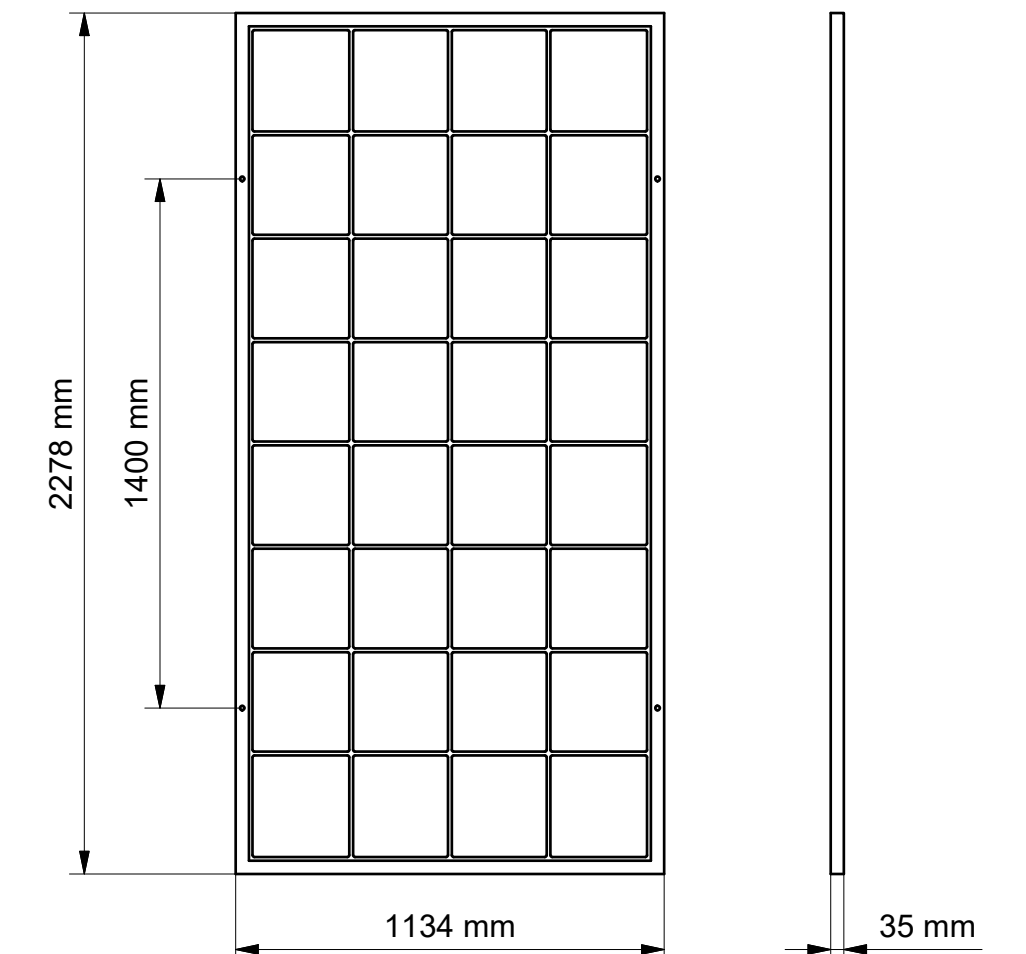


NOTE: THESE ARE GENERIC SAMPLES FOR REPRESENTATION. SITE-SPECIFIC DRAWINGS WILL STILL REQUIRE CUSTOMER PAYMENT.




SOLAR PANEL SCALE 1 / 20



NUANCE ENERGY
Revolutionary Solar Racking Structures



PROPRIETARY AND CONFIDENTIAL: THE INFORMATION CONTAINED HERE IN IS THE SOLE PROPERTY OF NUANCE ENERGY GROUP INC. ANY REPRODUCTION IN PART OR WHOLE WITHOUT WRITTEN PERMISSION IS PROHIBITED. (C) COPYRIGHT 2013. ALL RIGHTS RESERVED.

MATERIAL: STRUCTURAL STEEL 50KSI OR BETTER			CAD TECHNICIAN: Jorge D. Goytia Valdivia			DATE: 7/24/2025			<h2>OSPREY POWERRACK MAX</h2>				
FINISH: GALVANIZED TO G90 OR BETTER			ENGINEER: Srikanth Komuravelly			DATE: 7/24/2025							
WEIGHT:			MANAGER: Tom Boguess			DATE: 7/24/2025			PART NUMBER: OPR MAX 4x5-3 35DEG		QTY: 1	SCALE: 1 / 28	
PE SIGNATURE:									Osprey Powerrack MAX 4x5			REV: 1.0	
									DIMENSIONS IN INCHES, UNLESS OTHERWISE SPECIFIED			MFG:	1 OF 1
						SIZE: D			MACHINED FILLET RADII 0.38-1.27 [.015-.050]. BREAK ALL SHARP EDGES 0.2-0.8 [.01-.03] RADII OR 45°. SURFACE FINISH IN MICRO (P) INCHES (Ra). INTERPRET DRAWING PER ASME Y14.5, ASME Y14.36, AND AWS A2.4 STANDARDS.				