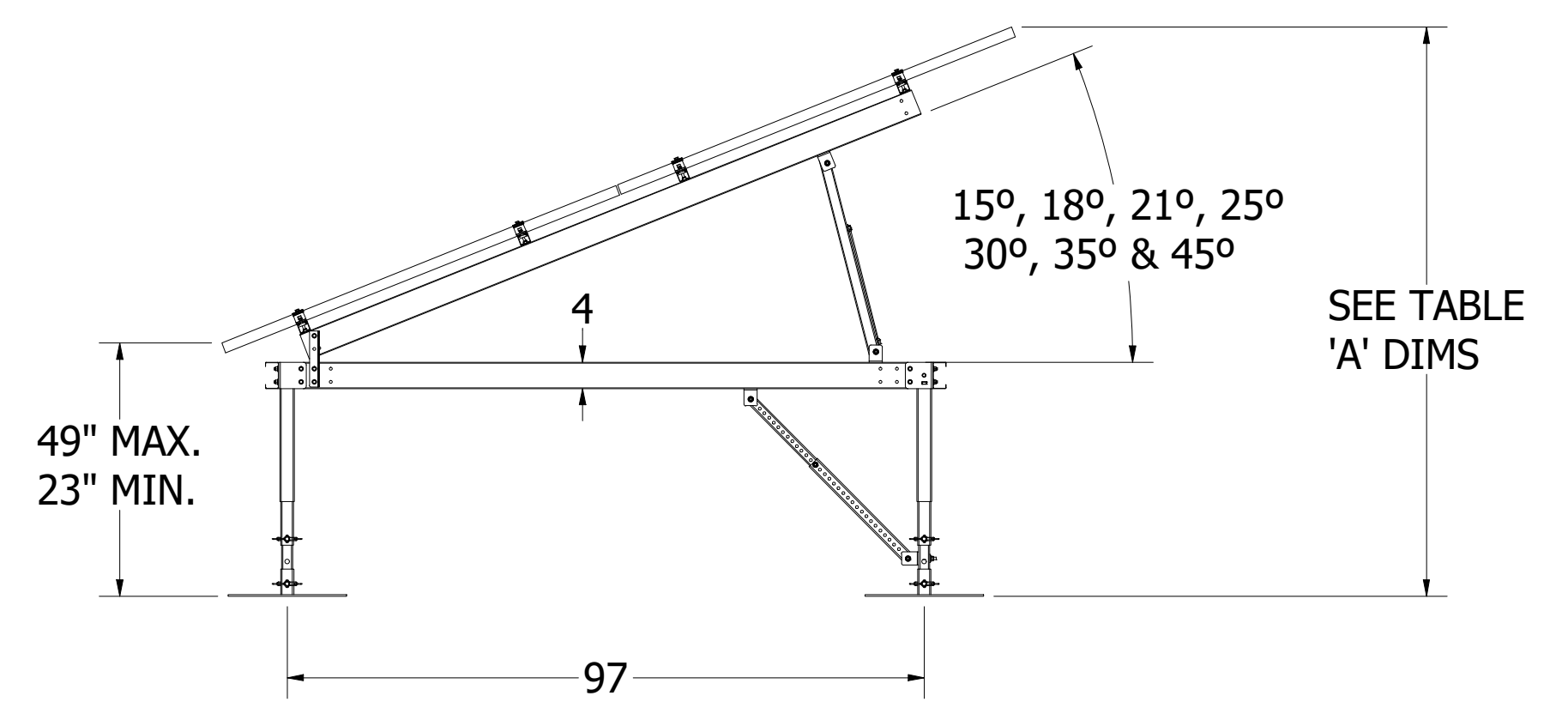
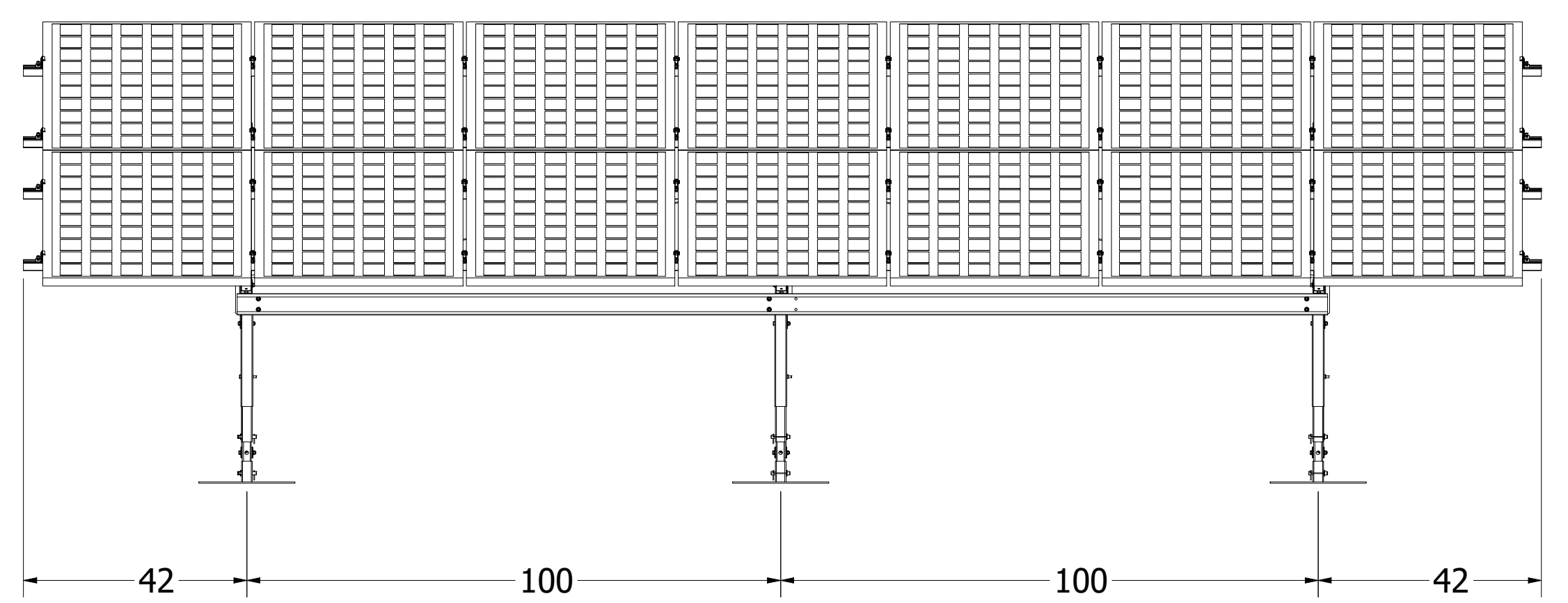
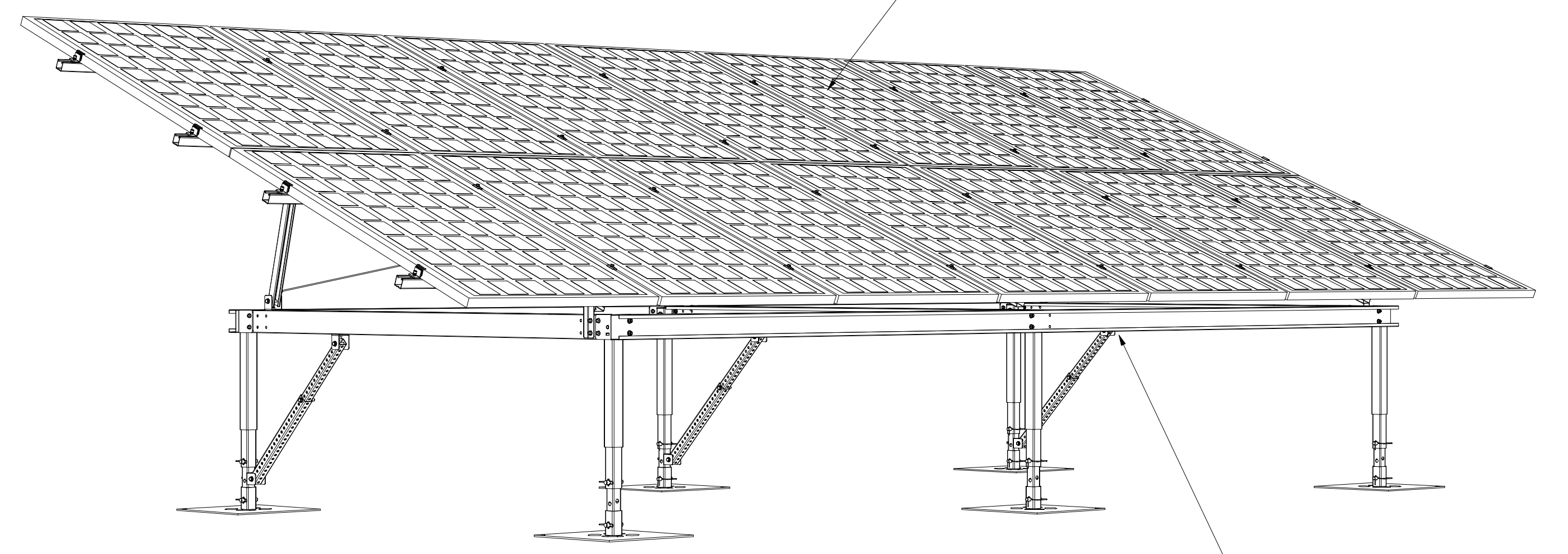
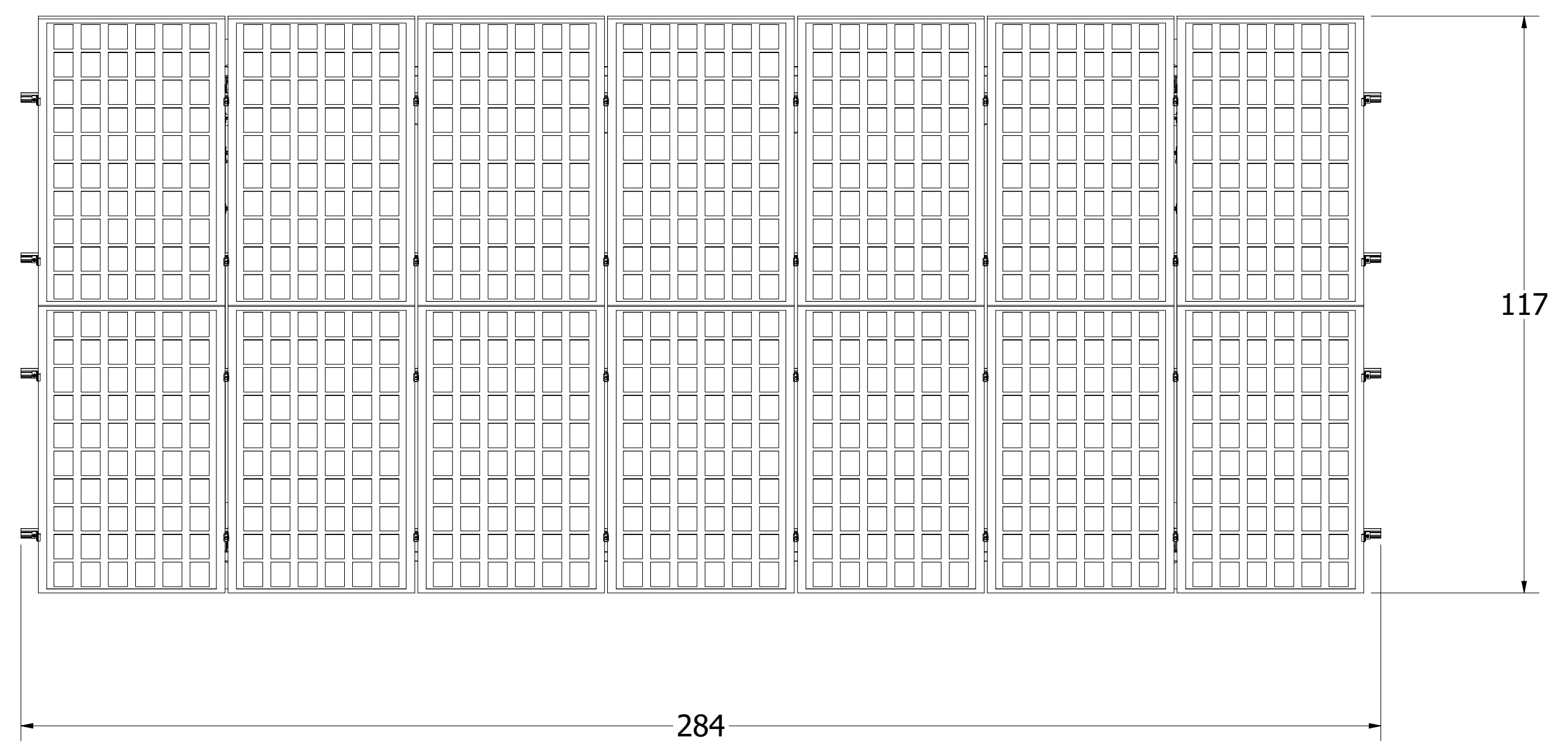


**2X7 ASSEMBLY - STD**  
60 CELL MODULE  
6 LEG

4" FRONT AND REAR CHASSIS



BACK OF ARRAY HEIGHT (INCHES)		
ANGLE	'A' MAX.	'A' MIN.
15	93	67
18	98	72
21	103	77
25	110	84
30	119	93
35	127	101
45	141	115

STAMP & SIGNATURE:  
**ENGINEERED POWER SOLUTIONS**  
1405 Spring Street, Suite 204  
Paso Robles, CA 93446



PROPRIETARY AND CONFIDENTIAL: THE INFORMATION CONTAINED HEREIN IS THE SOLE PROPERTY OF NUANCE ENERGY GROUP, INC. ANY REPRODUCTION IN PART OR WHOLE WITHOUT WRITTEN PERMISSION IS PROHIBITED. (C) COPYRIGHT 2013.  
MACHINED FILLET RADII 0.38-1.27 [.015-.050]. BREAK ALL SHARP EDGES 0.2-0.8 [.01-.03] RADII OR 45°. SURFACE FINISH IN MICRO (P) INCHES (Ra). INTERPRET DRAWING PER ASME Y14.5, ASME Y14.36, AND AWS A2.4 STANDARDS.

DRAW: RODOLFO PEREIRA	27/03/2020	<b>OSPREY POWERPLATFORM</b>	
APPROVED: LUKE ASHWORTH	27/03/2020		
WEIGHT: N/A lb		TITLE <b>OSP 2x7 STD 60 CELL 6L ASSEMBLY - SIX LEG</b>	
GENERAL TOLERANCES:		MATERIAL: N/A	
DECIMALS .X ± .1	ANGULAR ∠ ± 1°	SIZE <b>D</b>	DWG NO <b>OSP 2x7 STD 60C 6L ASY</b>
.XX ± .01		SCALE 1:20	REV 02
.XXX ± .005			SHEET 1 OF 1

FOR STRUCTURAL ELEMENTS ONLY