

SOLAR MODULE - 72 CELL

4" FRONT AND REAR CHASSIS

STAMP & SIGNATURE:

ENGINEERED POWER SOLUTIONS
1405 Spring Street, Suite 204
Paso Robles, CA 93446

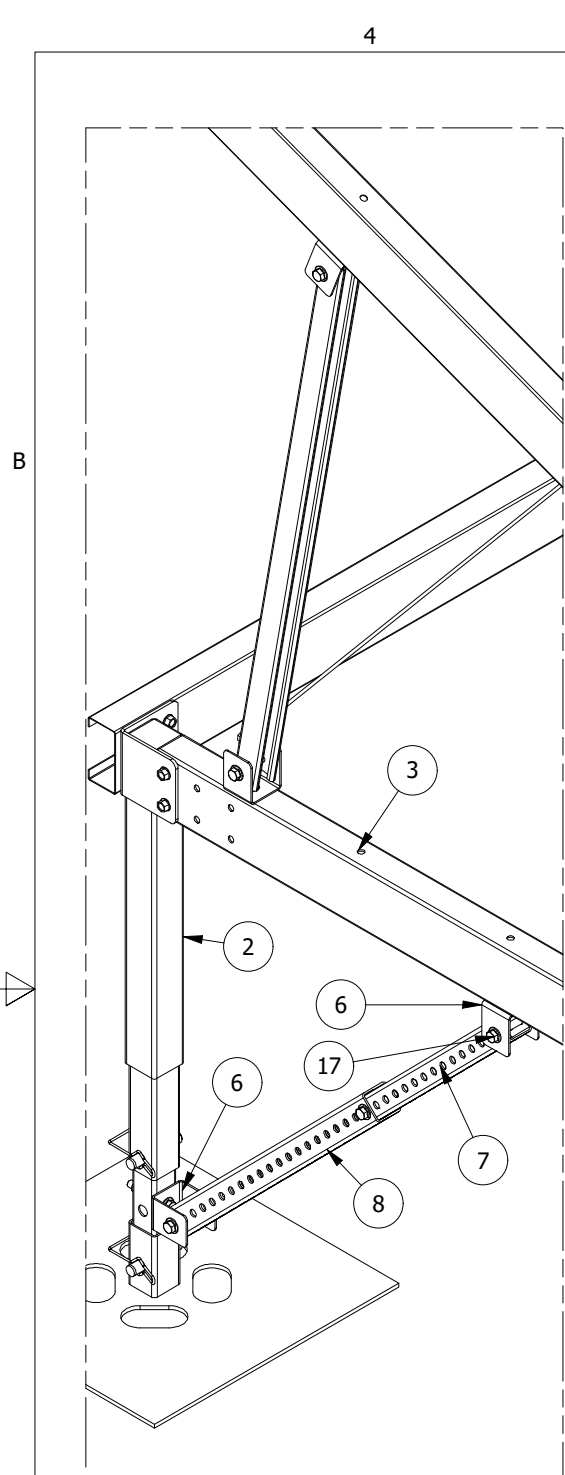


PROPRIETARY AND CONFIDENTIAL: THE INFORMATION CONTAINED HEREIN IS THE SOLE PROPERTY OF NUANCE ENERGY GROUP, INC. ANY REPRODUCTION IN PART OR WHOLE WITHOUT WRITTEN PERMISSION IS PROHIBITED. (C) COPYRIGHT 2013.

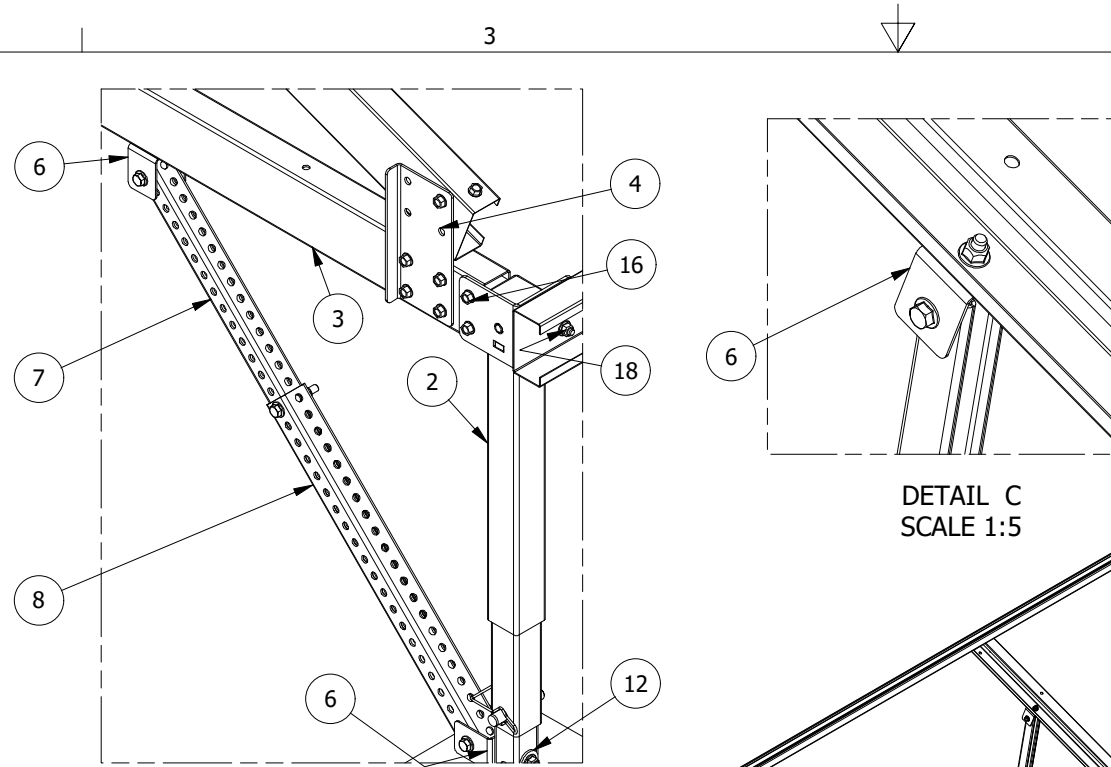
MACHINED FILLET RADII 0.38-1.27 [.015-.050].
BREAK ALL SHARP EDGES 0.2-0.8 [.01-.03] RADII OR 45°. SURFACE FINISH IN MICRO (P) INCHES (Ra). INTERPRET DRAWING PER ASME Y14.5, ASME Y14.36, AND AWS A2.4 STANDARDS.

DRAW: RODOLFO PEREIRA	03/17/2020	OSPREY POWERPLATFORM	
APPROVED: LUKE ASHWORTH	03/17/2020	TITLE Osprey PowerPlatform Portrait 2x6, Strut - 72 Cell - XHD	
WEIGHT: N/A lb		MATERIAL: N/A	
GENERAL TOLERANCES:		SIZE	DWG NO
DECIMALS	ANGULAR	B	OSP-STRUT-72CELL-2X6 - XHD
.X ± .1	∠ ± 1°	SCALE	REV 02
.XX ± .01		1:30	
.XXX ± .005			SHEET 1 OF 10

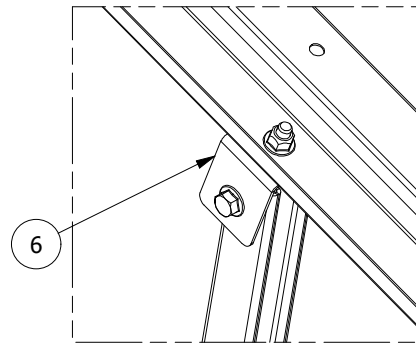
FOR STRUCTURAL ELEMENTS ONLY



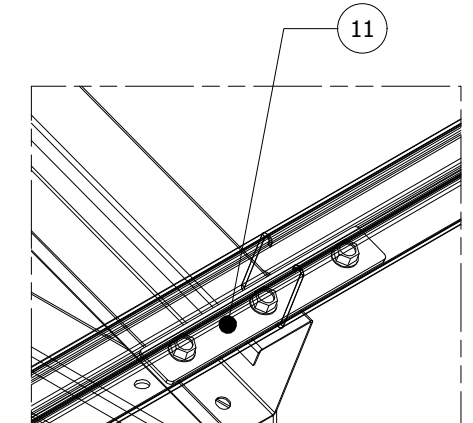
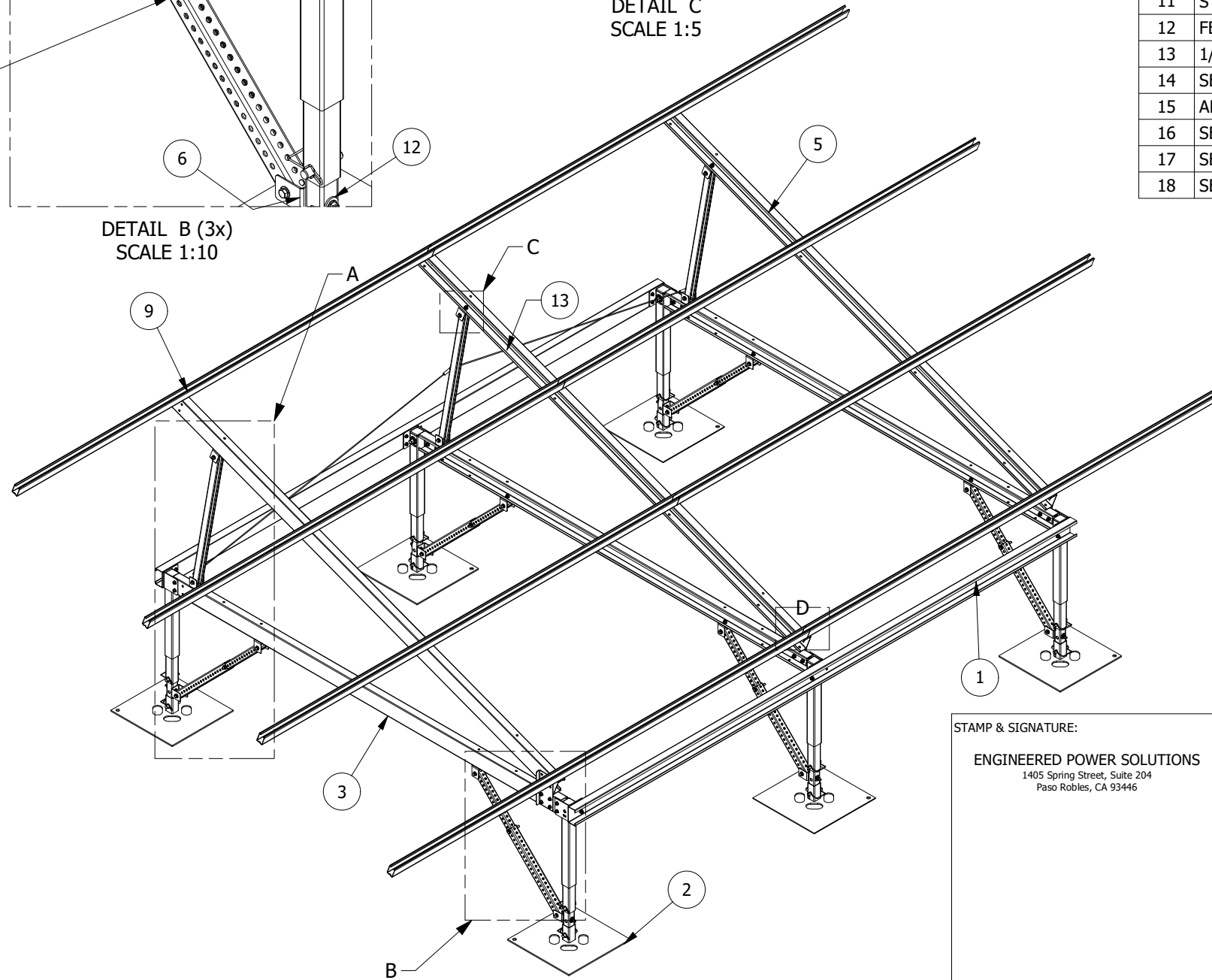
DETAIL A (3x)
SCALE 1:10



DETAIL B (3x)
SCALE 1:10



DETAIL C
SCALE 1:5



DETAIL D
SCALE 1:5

PARTS LIST		
ITEM	DESCRIPTION	QTY
1	FRONT AND REAR CHASSIS STUD - 2x6 XHD - G90	2
2	POWER ADJUSTABLE LEG	6
3	CHASSIS STUD - USA 72 CELL XHD	3
4	RACK MOUNTING BRACKET - 4 HOLE	3
5	STRONG BACK 72 CELL XHD - G90	3
6	BACK BRACE BRACKET	18
7	TELESCOPIC TUBING 1.50 x 1.50	6
8	TELESCOPIC TUBING 1.75 x 1.75	6
9	STRUT RAIL - USA 2x6 XHD - G90	8
10	BACK BRACE - AS DRAWING 402-009	3
11	STRUT SPLICE PLATE	4
12	FENDER WASHER	6
13	1/8" CABLE BRACE 2X6 AS DRAWING	2
14	SELF-BONDING MID CLAMP	20
15	ADJUSTABLE END CLAMP	8
16	SERRATED FLANGE BOLT - 3/8"-16 x 1" - [514-008-01]	74
17	SERRATED FLANGE BOLT 3/8"-16 x 2.5" - [514-007-01]	30
18	SERRATED FLANGE NUT -3/8"-16 [514-006-01]	104

STAMP & SIGNATURE:

ENGINEERED POWER SOLUTIONS
1405 Spring Street, Suite 204
Paso Robles, CA 93446



PROPRIETARY AND CONFIDENTIAL: THE INFORMATION CONTAINED HEREIN IS THE SOLE PROPERTY OF NUANCE ENERGY GROUP, INC. ANY REPRODUCTION IN PART OR WHOLE WITHOUT WRITTEN PERMISSION IS PROHIBITED. (C) COPYRIGHT 2013.

MACHINED FILLET RADII 0.38-1.27 [.015-.050].
BREAK ALL SHARP EDGES 0.2-0.8 [.01-.03] RADII
OR 45°. SURFACE FINISH IN MICRO (P) INCHES
(Ra). INTERPRET DRAWING PER ASME Y14.5,
ASME Y14.36, AND AWS A2.4 STANDARDS.

DRAW: RODOLFO PEREIRA 03/17/2020

APPROVED: LUKE ASHWORTH 03/17/2020

WEIGHT: N/A lb

GENERAL TOLERANCES:

DECIMALS ANGULAR

.X ± .1 $\leq \pm 1^\circ$

.XX ± .01 $\leq \pm 1^\circ$

.XXX ± .005 $\leq \pm 1^\circ$

OSPREY POWERPLATFORM

TITLE

Osprey PowerPlatform Portrait 2x6, Strut - 72 Cell - XHD

MATERIAL: N/A

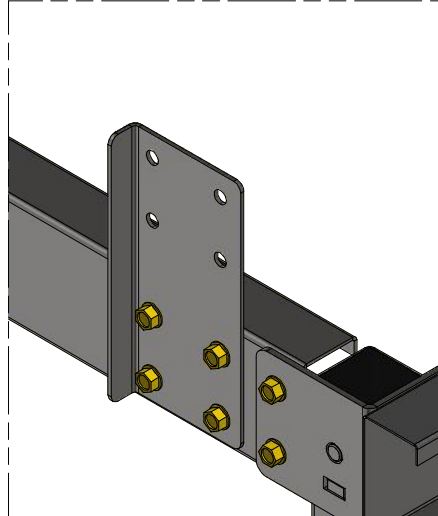
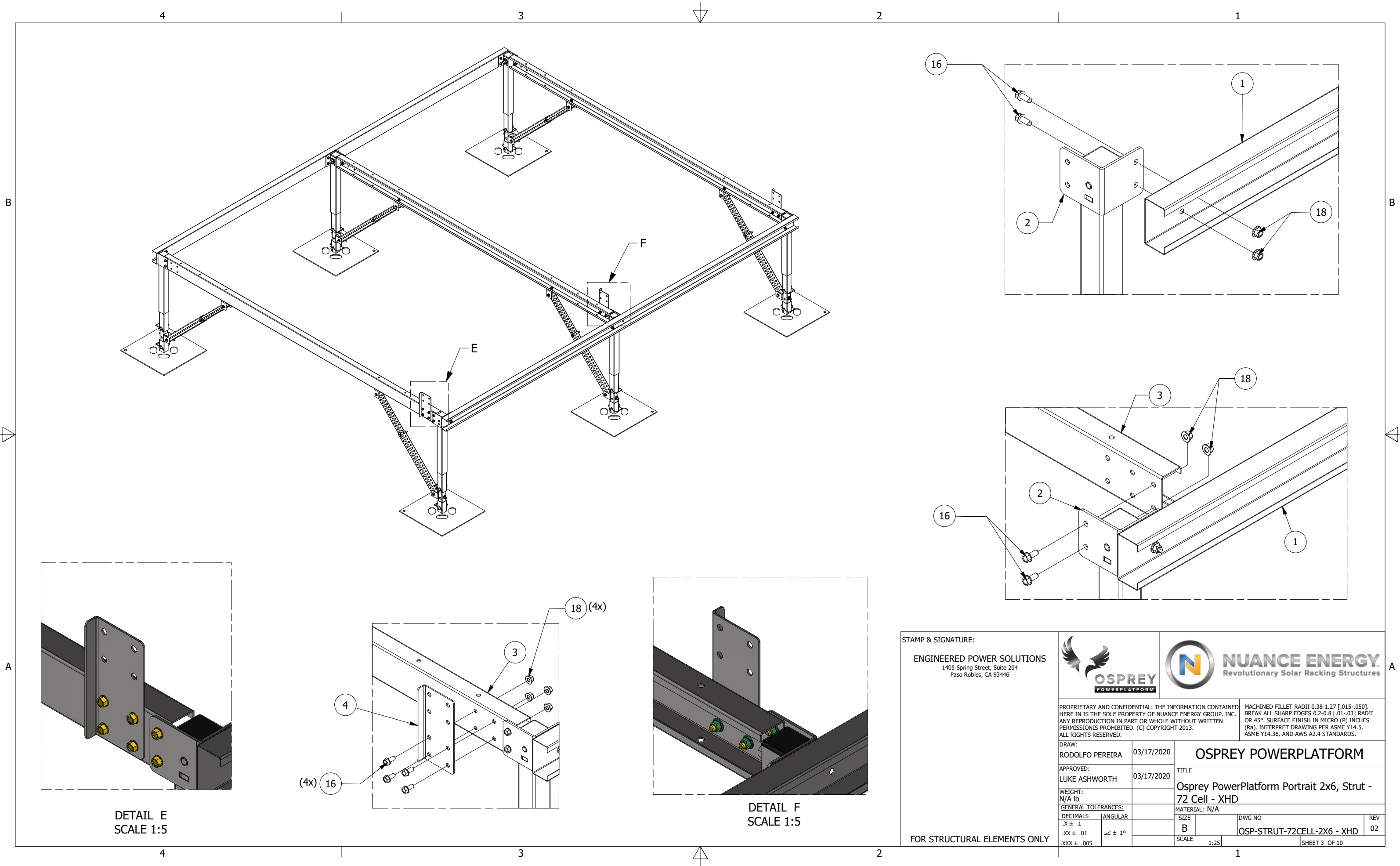
SIZE DWG NO

B OSP-STRUT-72CELL-2X6 - XHD

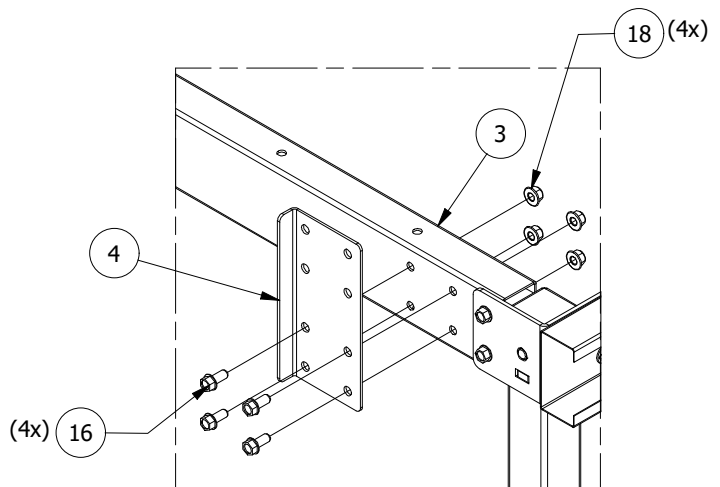
SCALE 1:30 REV 02

SHEET 2 OF 10

FOR STRUCTURAL ELEMENTS ONLY



DETAIL E
SCALE 1:5



DETAIL F
SCALE 1:5

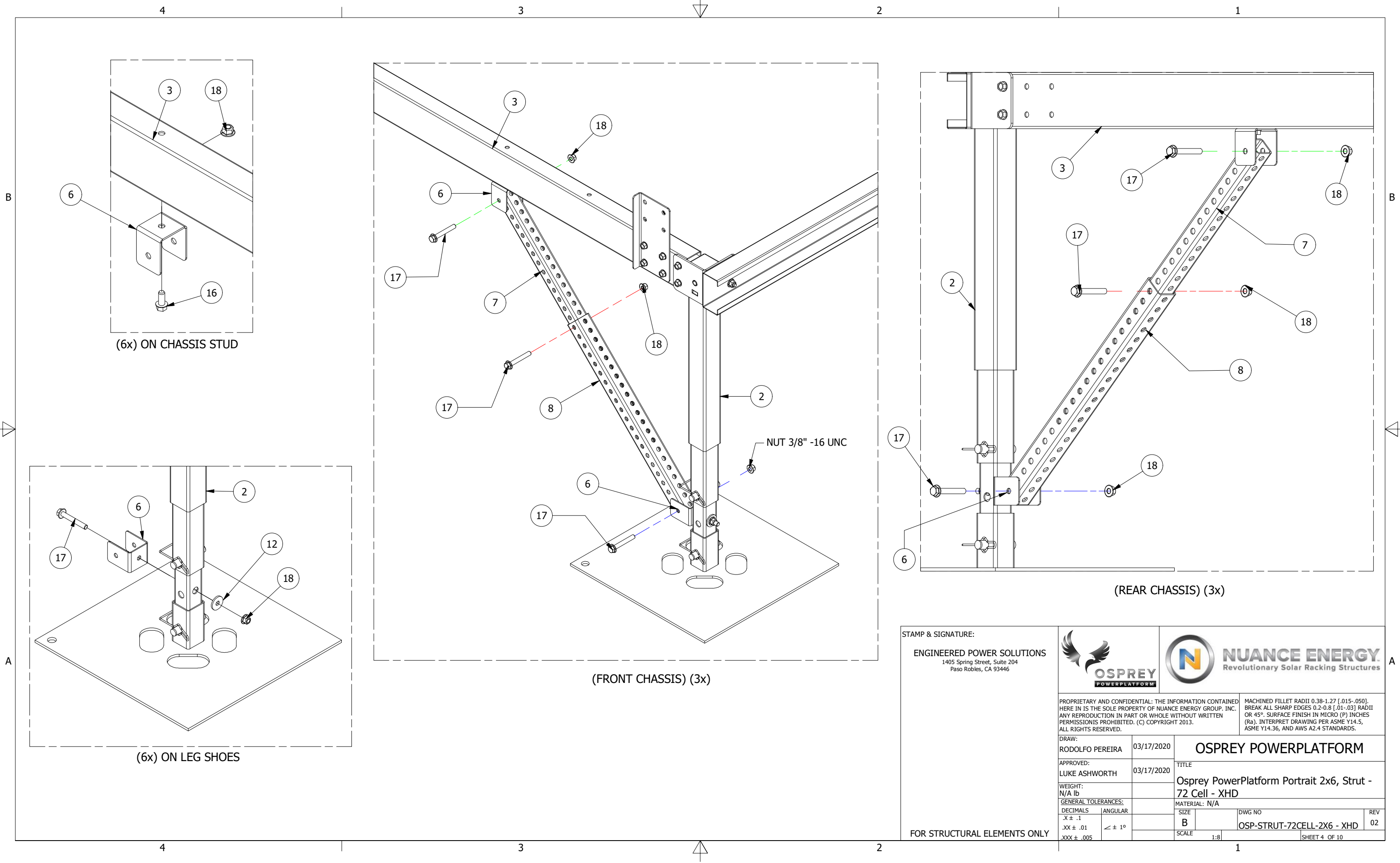
STAMP & SIGNATURE:
ENGINEERED POWER SOLUTIONS
1405 Spring Street, Suite 204
Paso Robles, CA 93446



PROPRIETARY AND CONFIDENTIAL: THE INFORMATION CONTAINED HEREIN IS THE SOLE PROPERTY OF NUANCE ENERGY GROUP, INC. ANY REPRODUCTION IN PART OR WHOLE WITHOUT WRITTEN PERMISSION IS PROHIBITED. (C) COPYRIGHT 2013.
MACHINED FILLET RADII 0.38-1.27 [.015-.050]. BREAK ALL SHARP EDGES 0.2-0.8 [.01-.03] RADII OR 45°. SURFACE FINISH IN MICRO (P) INCHES (Ra). INTERPRET DRAWING PER ASME Y14.5, ASME Y14.36, AND AWS A2.4 STANDARDS.

DRAW: RODOLFO PEREIRA	03/17/2020	OSPREY POWERPLATFORM	
APPROVED: LUKE ASHWORTH	03/17/2020	TITLE Osprey PowerPlatform Portrait 2x6, Strut - 72 Cell - XHD	
WEIGHT: N/A lb		MATERIAL: N/A	
GENERAL TOLERANCES:		SIZE B	DWG NO OSP-STRUT-72CELL-2X6 - XHD
DECIMALS .X ± .1	ANGULAR ≤ ± 1°	SCALE 1:25	REV 02
.XX ± .01			
.XXX ± .005			SHEET 3 OF 10

FOR STRUCTURAL ELEMENTS ONLY



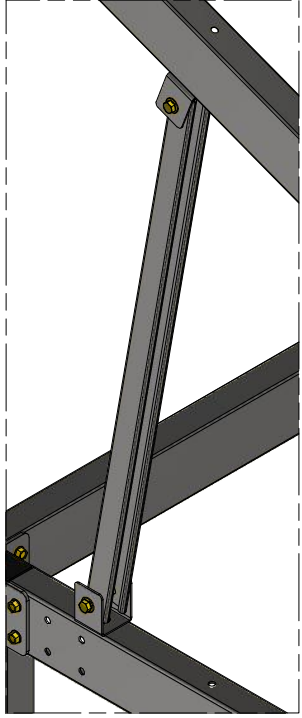
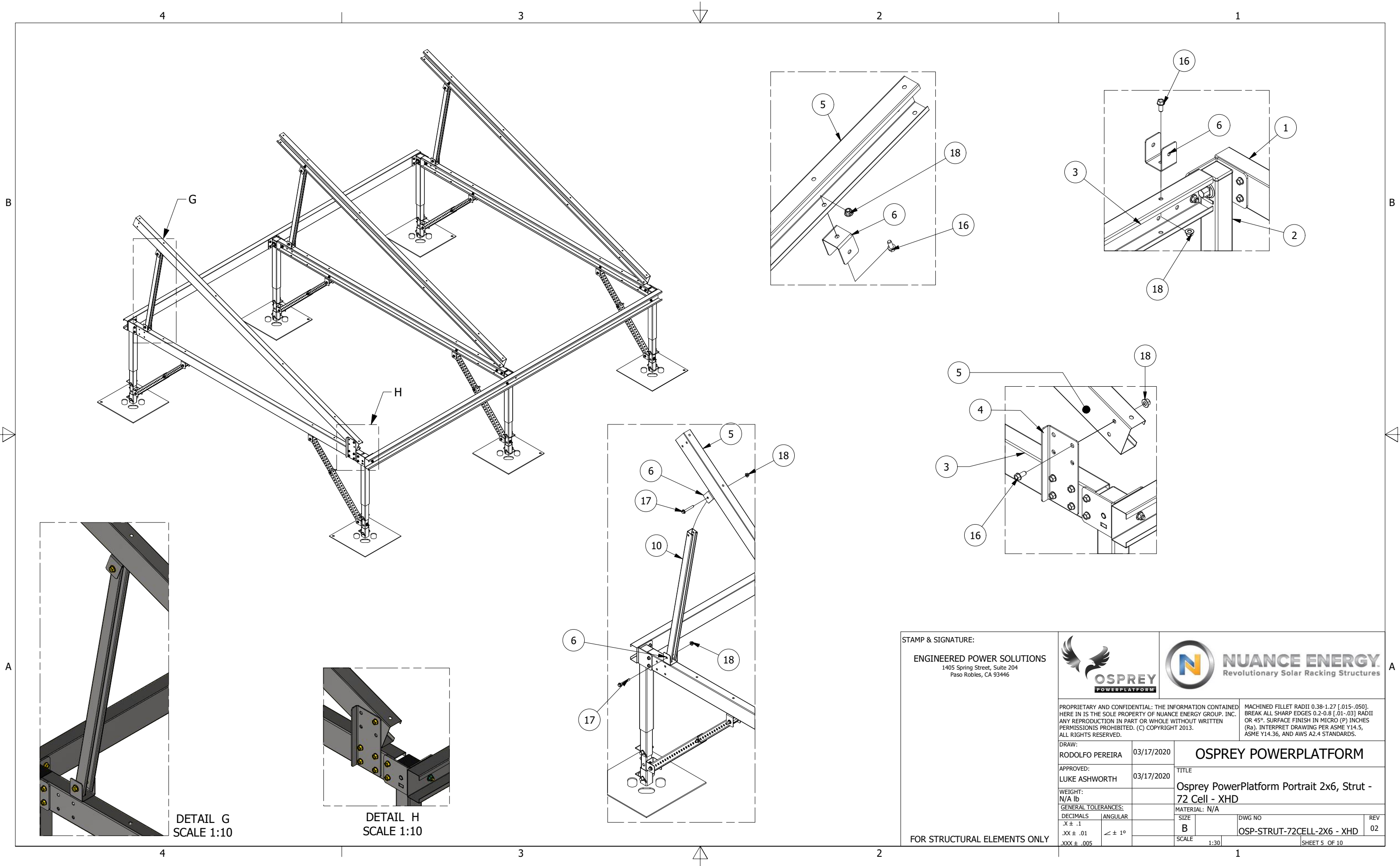
STAMP & SIGNATURE:
ENGINEERED POWER SOLUTIONS
 1405 Spring Street, Suite 204
 Paso Robles, CA 93446



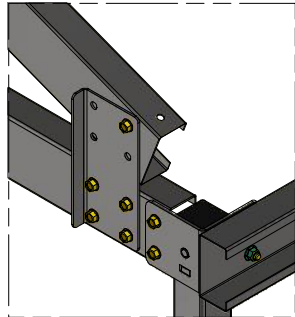
PROPRIETARY AND CONFIDENTIAL: THE INFORMATION CONTAINED HEREIN IS THE SOLE PROPERTY OF NUANCE ENERGY GROUP, INC. ANY REPRODUCTION IN PART OR WHOLE WITHOUT WRITTEN PERMISSION IS PROHIBITED. (C) COPYRIGHT 2013.
 MACHINED FILLET RADII 0.38-1.27 [.015-.050]. BREAK ALL SHARP EDGES 0.2-0.8 [.01-.03] RADII OR 45°. SURFACE FINISH IN MICRO (P) INCHES (Ra). INTERPRET DRAWING PER ASME Y14.5, ASME Y14.36, AND AWS A2.4 STANDARDS.

DRAW: RODOLFO PEREIRA	03/17/2020	OSPREY POWERPLATFORM	
APPROVED: LUKE ASHWORTH	03/17/2020	TITLE Osprey PowerPlatform Portrait 2x6, Strut - 72 Cell - XHD	
WEIGHT: N/A lb		MATERIAL: N/A	
GENERAL TOLERANCES:		SIZE	DWG NO
DECIMALS	ANGULAR	B	OSP-STRUT-72CELL-2X6 - XHD
.X ± .1	∠ ± 1°	SCALE	REV 02
.XX ± .01		1:8	
.XXX ± .005			SHEET 4 OF 10

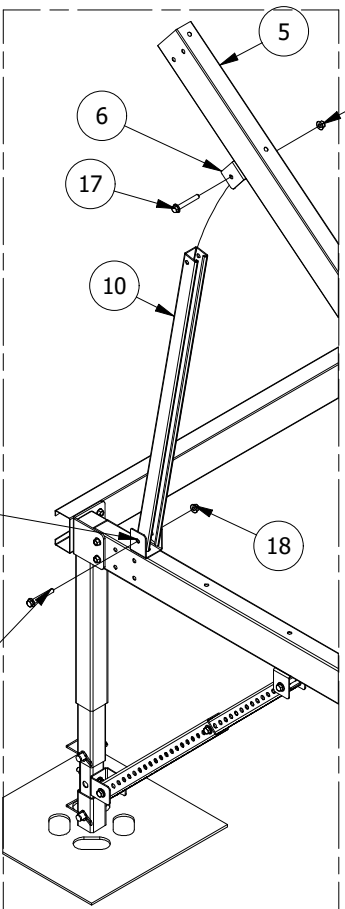
FOR STRUCTURAL ELEMENTS ONLY



DETAIL G
SCALE 1:10



DETAIL H
SCALE 1:10



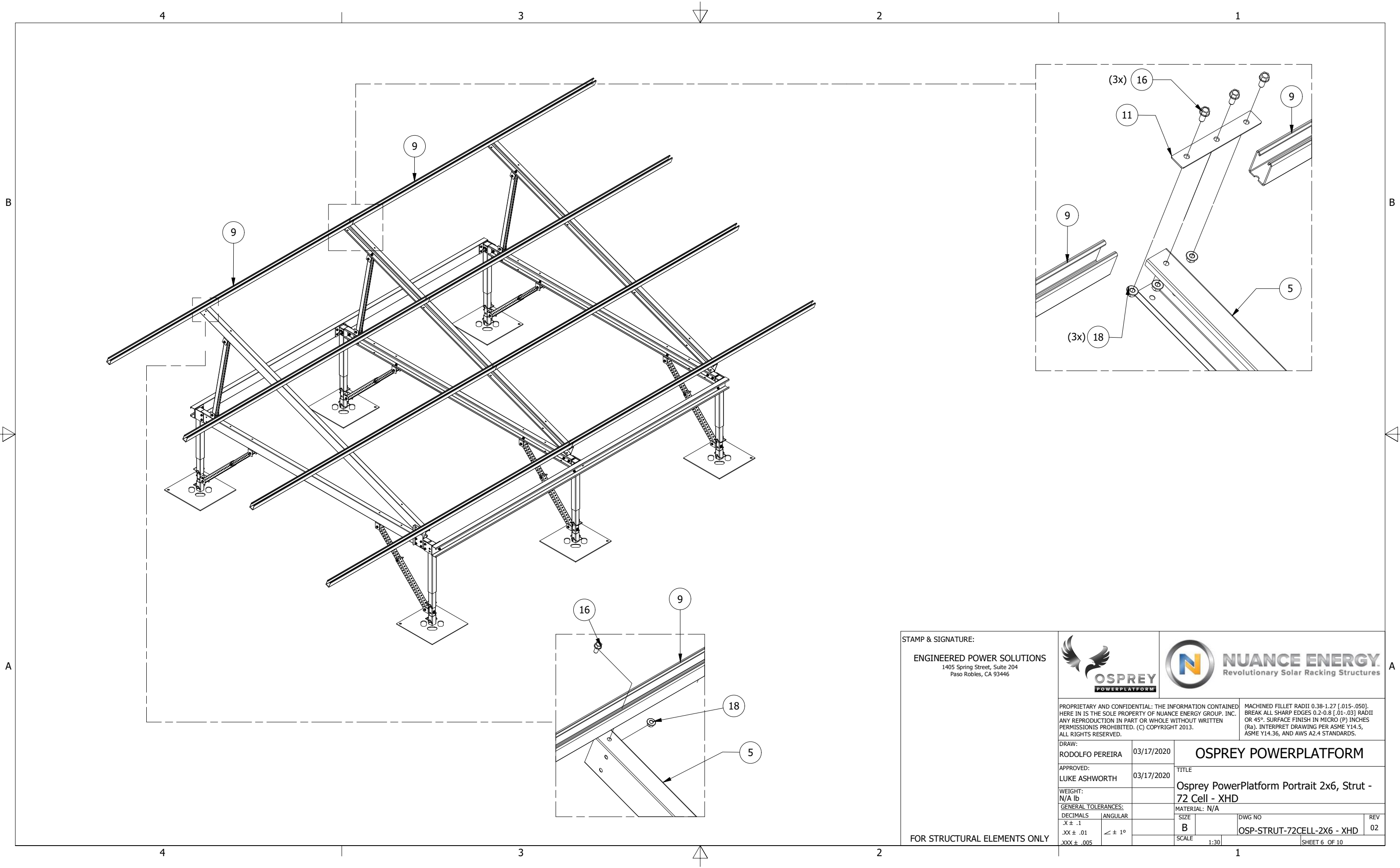
STAMP & SIGNATURE:
ENGINEERED POWER SOLUTIONS
1405 Spring Street, Suite 204
Paso Robles, CA 93446



PROPRIETARY AND CONFIDENTIAL: THE INFORMATION CONTAINED HEREIN IS THE SOLE PROPERTY OF NUANCE ENERGY GROUP, INC. ANY REPRODUCTION IN PART OR WHOLE WITHOUT WRITTEN PERMISSION IS PROHIBITED. (C) COPYRIGHT 2013.
MACHINED FILLET RADII 0.38-1.27 [.015-.050]. BREAK ALL SHARP EDGES 0.2-0.8 [.01-.03] RADII OR 45°. SURFACE FINISH IN MICRO (P) INCHES (Ra). INTERPRET DRAWING PER ASME Y14.5, ASME Y14.36, AND AWS A2.4 STANDARDS.

DRAW: RODOLFO PEREIRA	03/17/2020	OSPREY POWERPLATFORM	
APPROVED: LUKE ASHWORTH	03/17/2020	TITLE Osprey PowerPlatform Portrait 2x6, Strut - 72 Cell - XHD	
WEIGHT: N/A lb		MATERIAL: N/A	
GENERAL TOLERANCES:		SIZE B	DWG NO OSP-STRUT-72CELL-2X6 - XHD
DECIMALS .X ± .1	ANGULAR ≤ ± 1°	SCALE 1:30	REV 02
.XX ± .01			
.XXX ± .005			SHEET 5 OF 10

FOR STRUCTURAL ELEMENTS ONLY



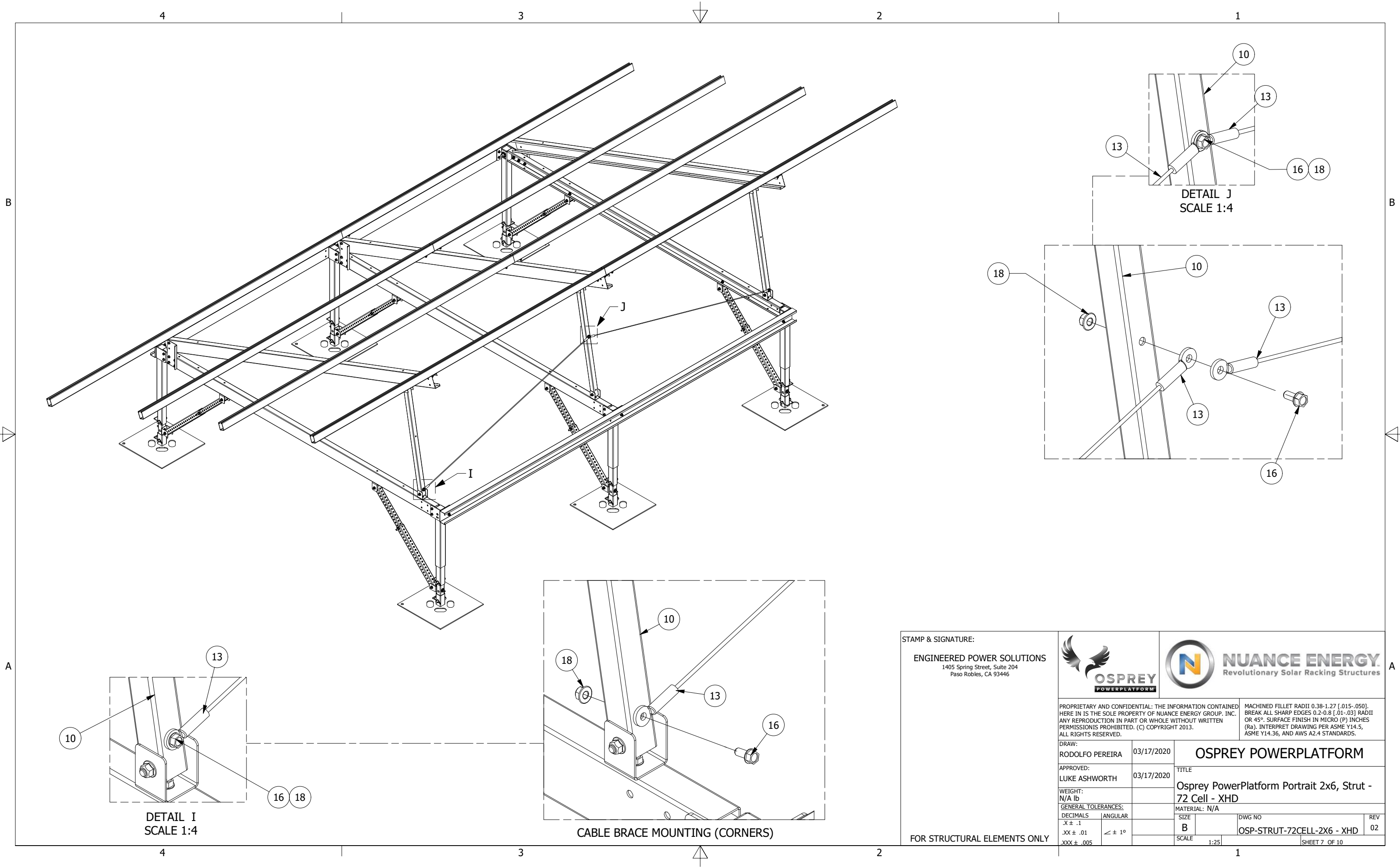
STAMP & SIGNATURE:
ENGINEERED POWER SOLUTIONS
 1405 Spring Street, Suite 204
 Paso Robles, CA 93446



PROPRIETARY AND CONFIDENTIAL: THE INFORMATION CONTAINED HEREIN IS THE SOLE PROPERTY OF NUANCE ENERGY GROUP, INC. ANY REPRODUCTION IN PART OR WHOLE WITHOUT WRITTEN PERMISSION IS PROHIBITED. (C) COPYRIGHT 2013.
 MACHINED FILLET RADII 0.38-1.27 [.015-.050].
 BREAK ALL SHARP EDGES 0.2-0.8 [.01-.03] RADII OR 45°. SURFACE FINISH IN MICRO (P) INCHES (Ra). INTERPRET DRAWING PER ASME Y14.5, ASME Y14.36, AND AWS A2.4 STANDARDS.

DRAW: RODOLFO PEREIRA		03/17/2020	OSPREY POWERPLATFORM	
APPROVED: LUKE ASHWORTH		03/17/2020	TITLE Osprey PowerPlatform Portrait 2x6, Strut - 72 Cell - XHD	
WEIGHT: N/A lb			MATERIAL: N/A	
GENERAL TOLERANCES:			SIZE B	DWG NO OSP-STRUT-72CELL-2X6 - XHD
DECIMALS .X ± .1	ANGULAR ∠ ± 1°		SCALE 1:30	REV 02
.XX ± .01				
.XXX ± .005				

FOR STRUCTURAL ELEMENTS ONLY



STAMP & SIGNATURE:
ENGINEERED POWER SOLUTIONS
 1405 Spring Street, Suite 204
 Paso Robles, CA 93446



PROPRIETARY AND CONFIDENTIAL: THE INFORMATION CONTAINED HEREIN IS THE SOLE PROPERTY OF NUANCE ENERGY GROUP, INC. ANY REPRODUCTION IN PART OR WHOLE WITHOUT WRITTEN PERMISSION IS PROHIBITED. (C) COPYRIGHT 2013.
 MACHINED FILLET RADII 0.38-1.27 [.015-.050]. BREAK ALL SHARP EDGES 0.2-0.8 [.01-.03] RADII OR 45°. SURFACE FINISH IN MICRO (P) INCHES (Ra). INTERPRET DRAWING PER ASME Y14.5, ASME Y14.36, AND AWS A2.4 STANDARDS.

DRAW: RODOLFO PEREIRA	03/17/2020	OSPREY POWERPLATFORM	
APPROVED: LUKE ASHWORTH	03/17/2020	TITLE	
WEIGHT: N/A lb		Osprey PowerPlatform Portrait 2x6, Strut - 72 Cell - XHD	
GENERAL TOLERANCES:		MATERIAL: N/A	
DECIMALS	ANGULAR	SIZE	DWG NO
.X ± .1	≤ ± 1°	B	OSP-STRUT-72CELL-2X6 - XHD
.XX ± .01		SCALE	REV
.XXX ± .005		1:25	02
			SHEET 7 OF 10

FOR STRUCTURAL ELEMENTS ONLY

4

3

2

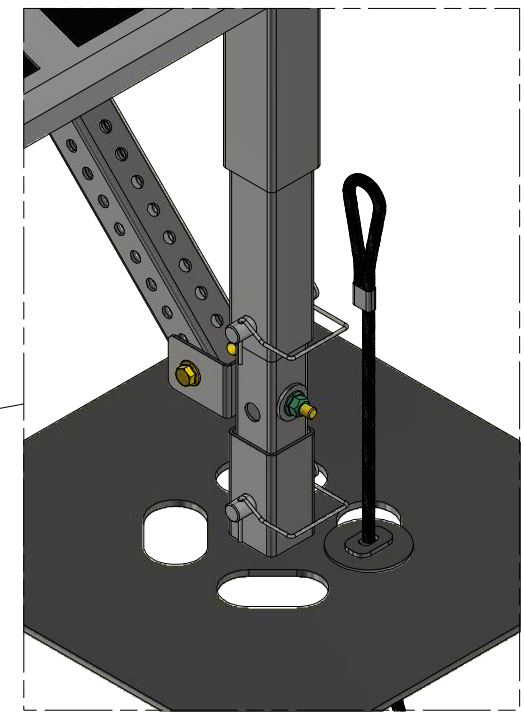
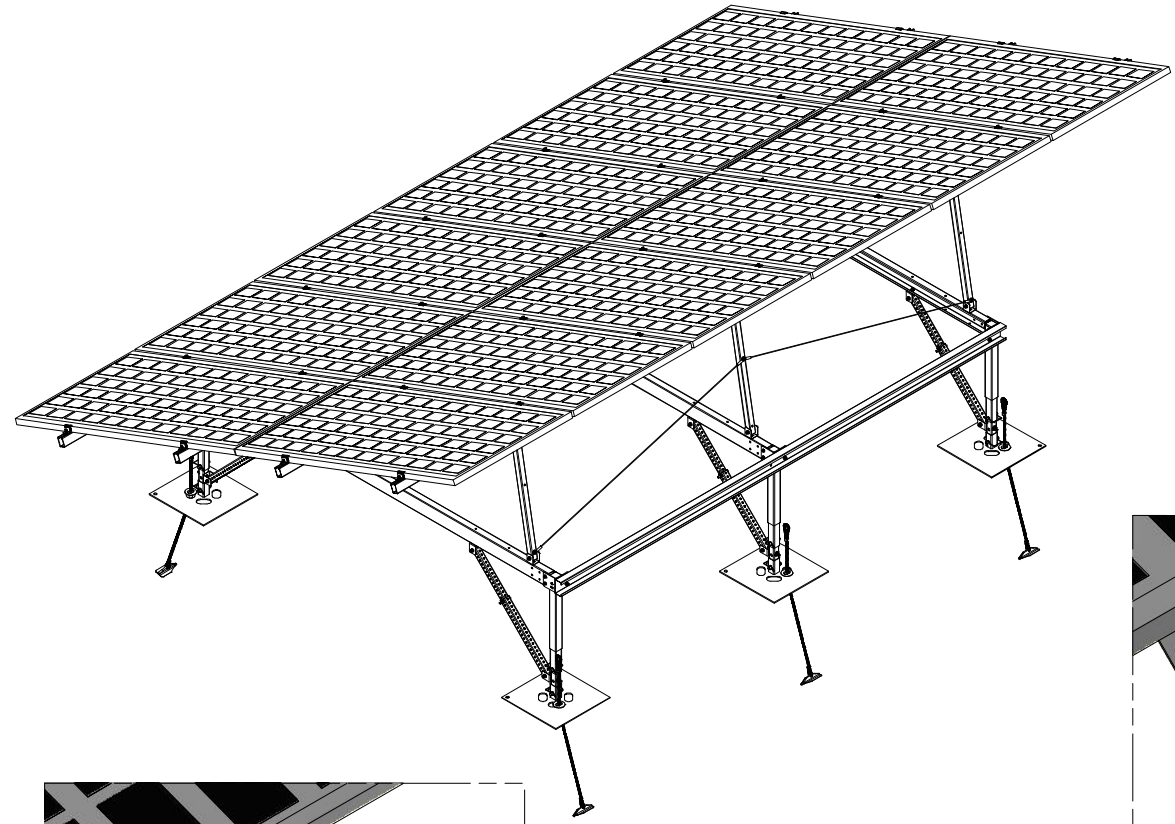
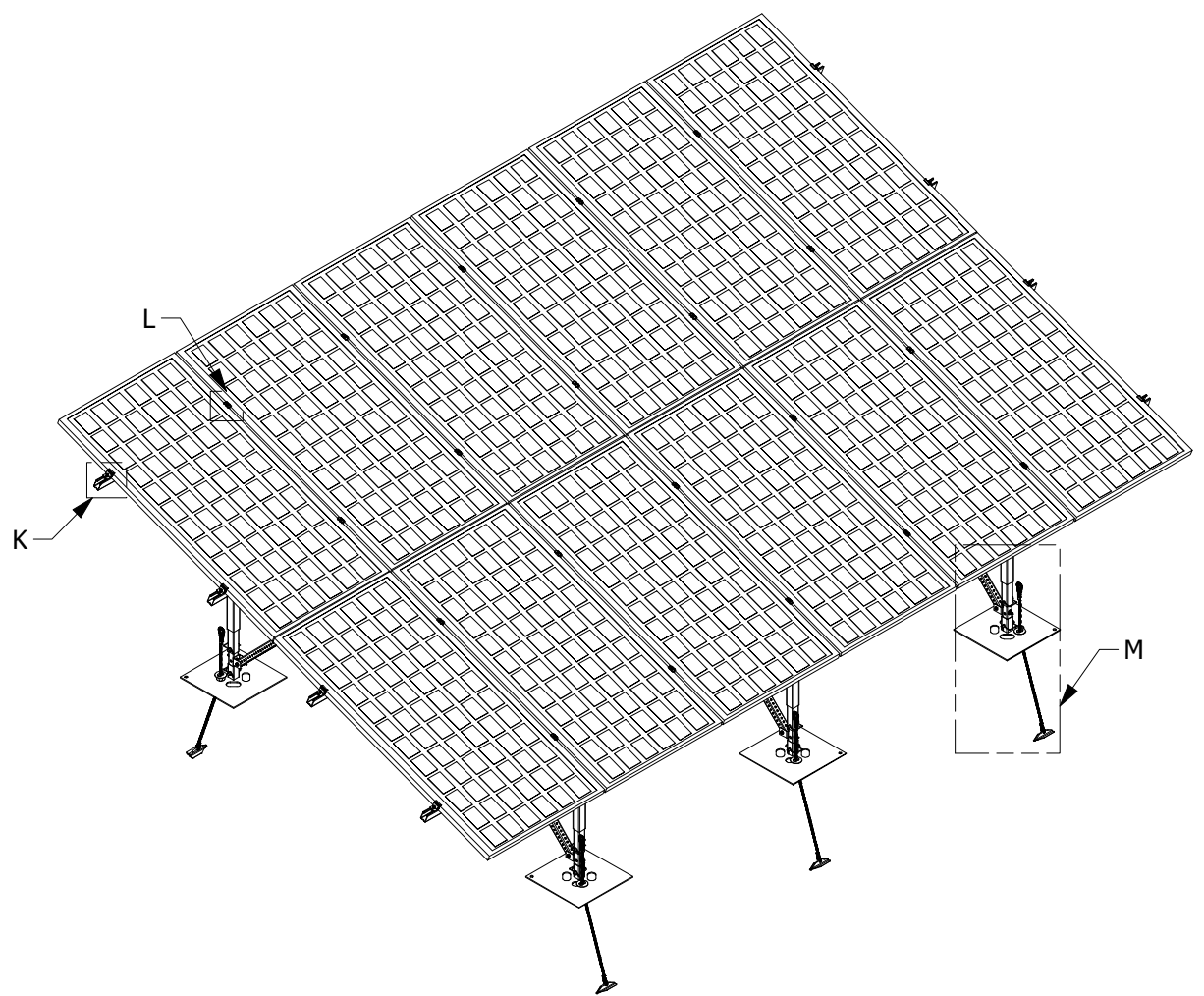
1

B

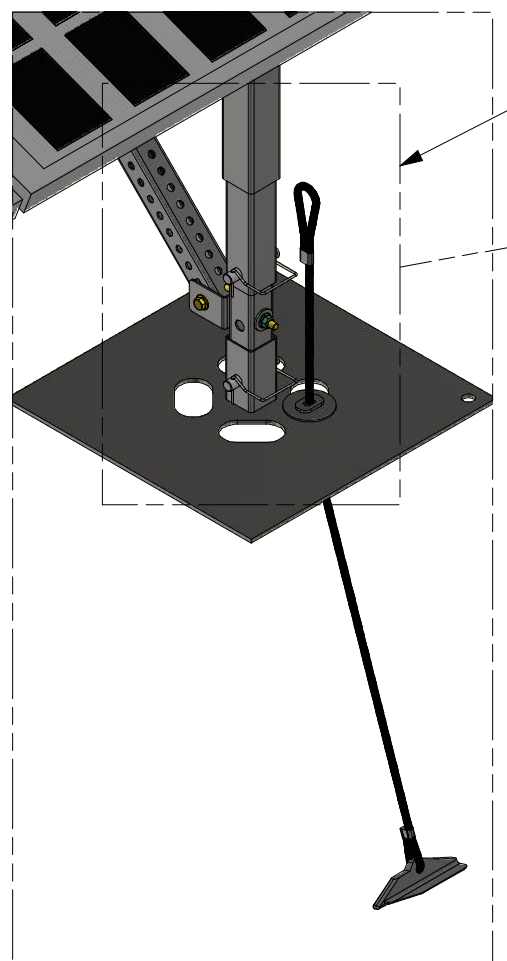
B

A

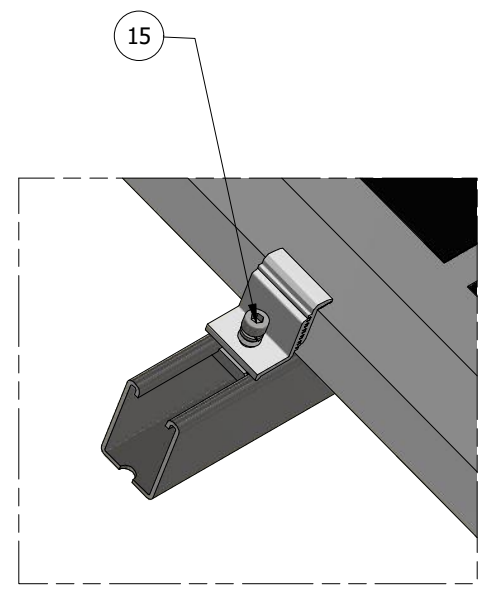
A



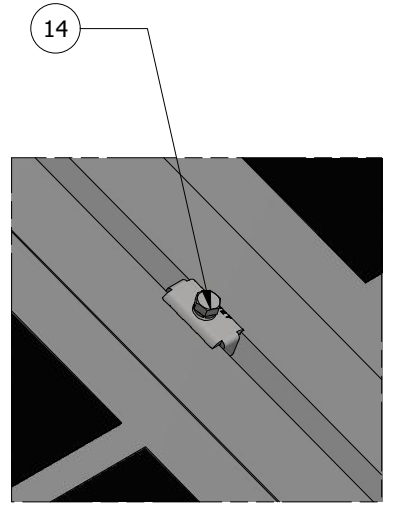
DETAIL N (ANCHOR DETAIL)
SCALE 1:6



DETAIL M (Typ. 6x - 180°)
SCALE 1:10



DETAIL K
SCALE 1:4



DETAIL L
SCALE 1:4

STAMP & SIGNATURE:
ENGINEERED POWER SOLUTIONS
1405 Spring Street, Suite 204
Paso Robles, CA 93446



PROPRIETARY AND CONFIDENTIAL: THE INFORMATION CONTAINED HEREIN IS THE SOLE PROPERTY OF NUANCE ENERGY GROUP, INC. ANY REPRODUCTION IN PART OR WHOLE WITHOUT WRITTEN PERMISSION IS PROHIBITED. (C) COPYRIGHT 2013.
MACHINED FILLET RADII 0.38-1.27 [.015-.050]. BREAK ALL SHARP EDGES 0.2-0.8 [.01-.03] RADII OR 45°. SURFACE FINISH IN MICRO (P) INCHES (Ra). INTERPRET DRAWING PER ASME Y14.5, ASME Y14.36, AND AWS A2.4 STANDARDS.

DRAW: RODOLFO PEREIRA	03/17/2020	OSPREY POWERPLATFORM	
APPROVED: LUKE ASHWORTH	03/17/2020	TITLE Osprey PowerPlatform Portrait 2x6, Strut - 72 Cell - XHD	
WEIGHT: N/A lb		MATERIAL: N/A	
GENERAL TOLERANCES:		SIZE	DWG NO
DECIMALS	ANGULAR	B	OSP-STRUT-72CELL-2X6 - XHD
.X ± .1	∠ ± 1°	SCALE	REV 02
.XX ± .01		1:45	
.XXX ± .005			SHEET 8 OF 10

FOR STRUCTURAL ELEMENTS ONLY

4

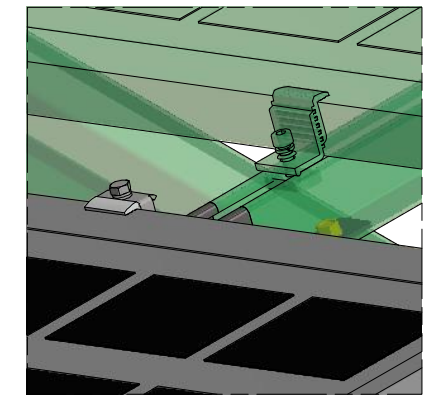
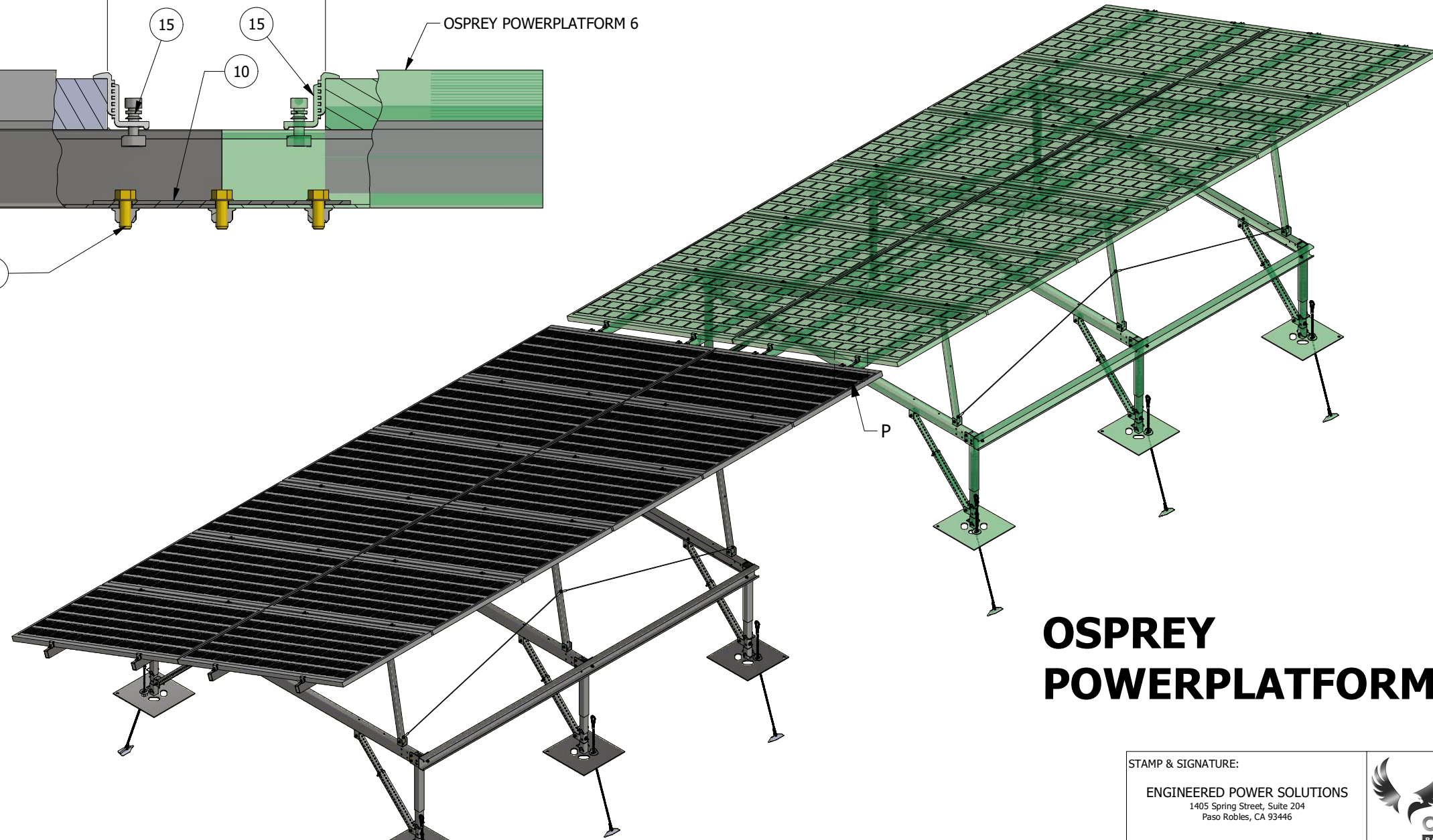
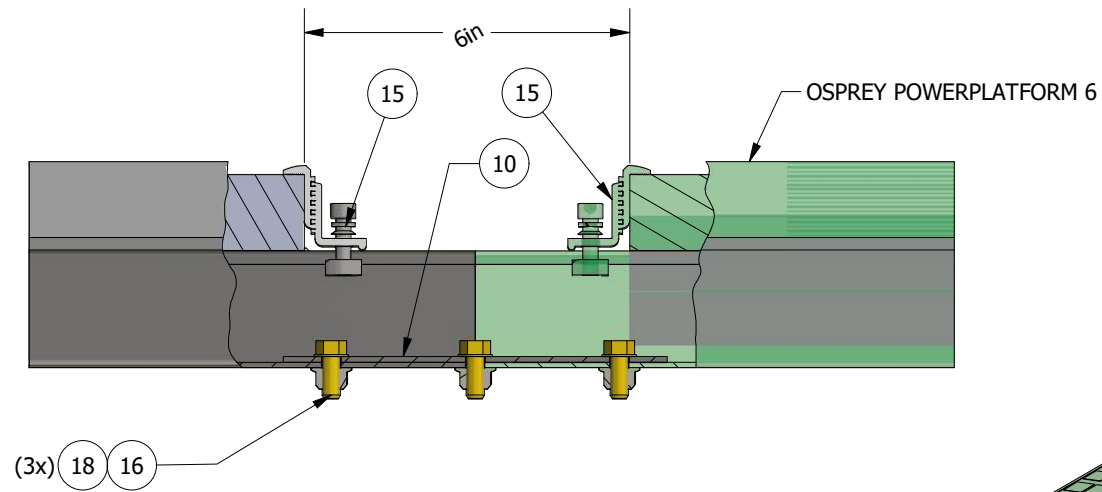
3

2

1



(THERMAL EXPANSION GAP NEEDED AFTER 5 OSPREY CONNECTED TOGETHER)



DETAIL P
SCALE 1:5

OSPREY POWERPLATFORM 6

**AFTER 5th OSPREY
POWERPLATFORM CREATE
EXPANSION GAP**

STAMP & SIGNATURE:

ENGINEERED POWER SOLUTIONS
1405 Spring Street, Suite 204
Paso Robles, CA 93446



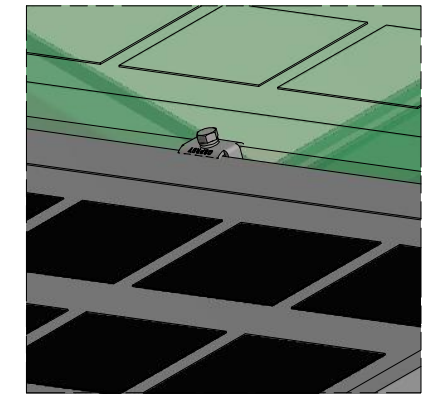
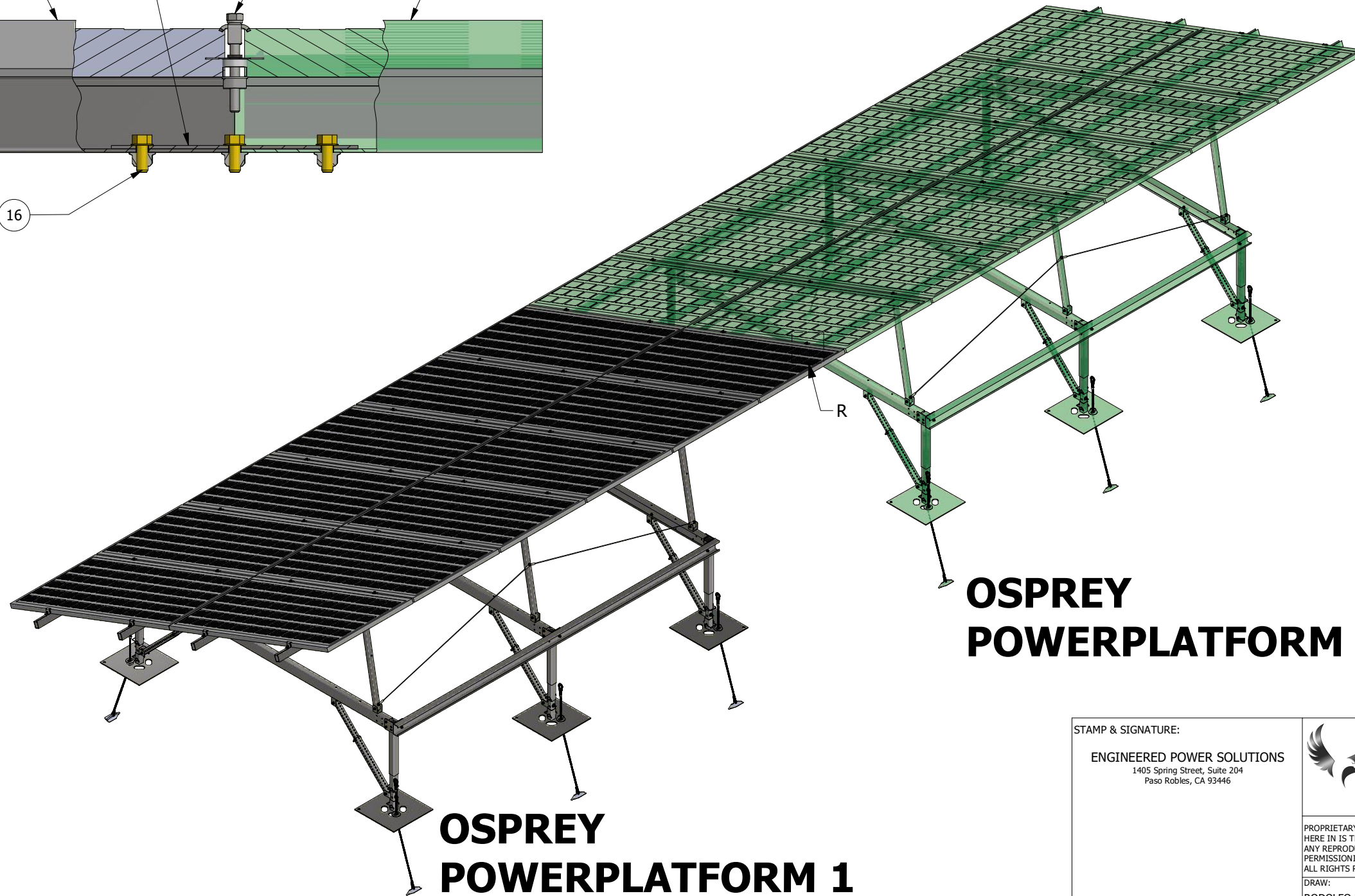
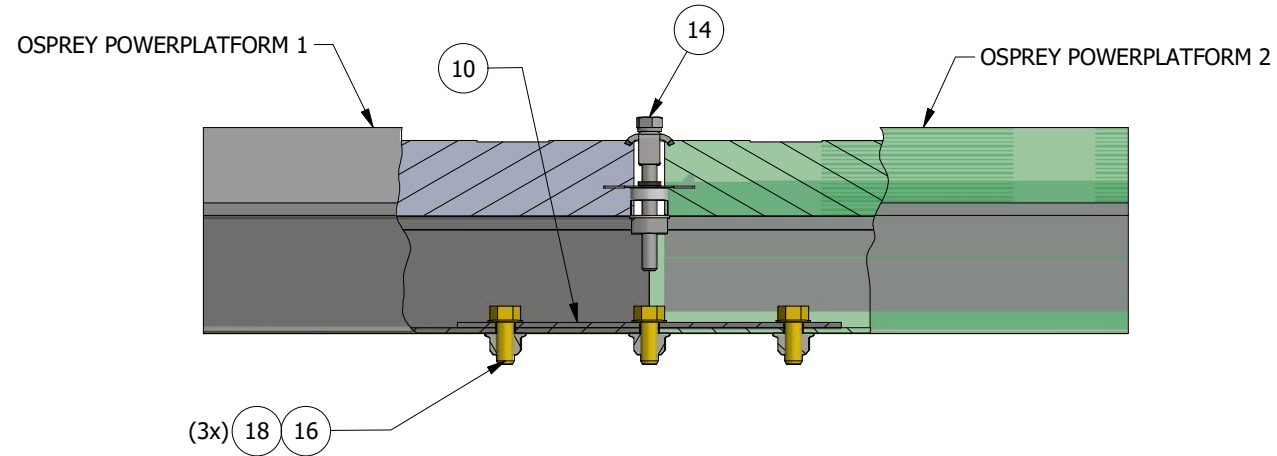
PROPRIETARY AND CONFIDENTIAL: THE INFORMATION CONTAINED HEREIN IS THE SOLE PROPERTY OF NUANCE ENERGY GROUP, INC. ANY REPRODUCTION IN PART OR WHOLE WITHOUT WRITTEN PERMISSION IS PROHIBITED. (C) COPYRIGHT 2013.

MACHINED FILLET RADII 0.38-1.27 [.015-.050].
BREAK ALL SHARP EDGES 0.2-0.8 [.01-.03] RADII
OR 45°. SURFACE FINISH IN MICRO (P) INCHES
(Ra). INTERPRET DRAWING PER ASME Y14.5,
ASME Y14.36, AND AWS A2.4 STANDARDS.

DRAW: RODOLFO PEREIRA	03/17/2020	OSPREY POWERPLATFORM	
APPROVED: LUKE ASHWORTH	03/17/2020	TITLE	
WEIGHT: N/A lb		Osprey PowerPlatform Portrait 2x6, Strut - 72 Cell - XHD	
GENERAL TOLERANCES:		MATERIAL: N/A	
DECIMALS	ANGULAR	SIZE	DWG NO
.X ± .1	∠ ± 1°	B	OSP-STRUT-72CELL-2X6 - XHD
.XX ± .01		SCALE	REV
.XXX ± .005		1:40	02
			SHEET 9 OF 10

FOR STRUCTURAL ELEMENTS ONLY

(THERMAL EXPANSION GAP NEEDED CONNECTED TOGETHER)



DETAIL R
SCALE 1:5

STAMP & SIGNATURE:

ENGINEERED POWER SOLUTIONS
1405 Spring Street, Suite 204
Paso Robles, CA 93446



PROPRIETARY AND CONFIDENTIAL: THE INFORMATION CONTAINED HEREIN IS THE SOLE PROPERTY OF NUANCE ENERGY GROUP, INC. ANY REPRODUCTION IN PART OR WHOLE WITHOUT WRITTEN PERMISSION IS PROHIBITED. (C) COPYRIGHT 2013.

MACHINED FILLET RADII 0.38-1.27 [.015-.050].
BREAK ALL SHARP EDGES 0.2-0.8 [.01-.03] RADII
OR 45°. SURFACE FINISH IN MICRO (P) INCHES
(Ra). INTERPRET DRAWING PER ASME Y14.5,
ASME Y14.36, AND AWS A2.4 STANDARDS.

DRAW: RODOLFO PEREIRA	03/17/2020	OSPREY POWERPLATFORM	
APPROVED: LUKE ASHWORTH	03/17/2020	TITLE	
WEIGHT: N/A lb		Osprey PowerPlatform Portrait 2x6, Strut - 72 Cell - XHD	
GENERAL TOLERANCES:		MATERIAL: N/A	
DECIMALS	ANGULAR	SIZE	DWG NO
.X ± .1	∠ ± 1°	B	OSP-STRUT-72CELL-2X6 - XHD
.XX ± .01		SCALE	REV
.XXX ± .005		1:40	02
			SHEET 10 OF 10

FOR STRUCTURAL ELEMENTS ONLY