

4

3

2

1

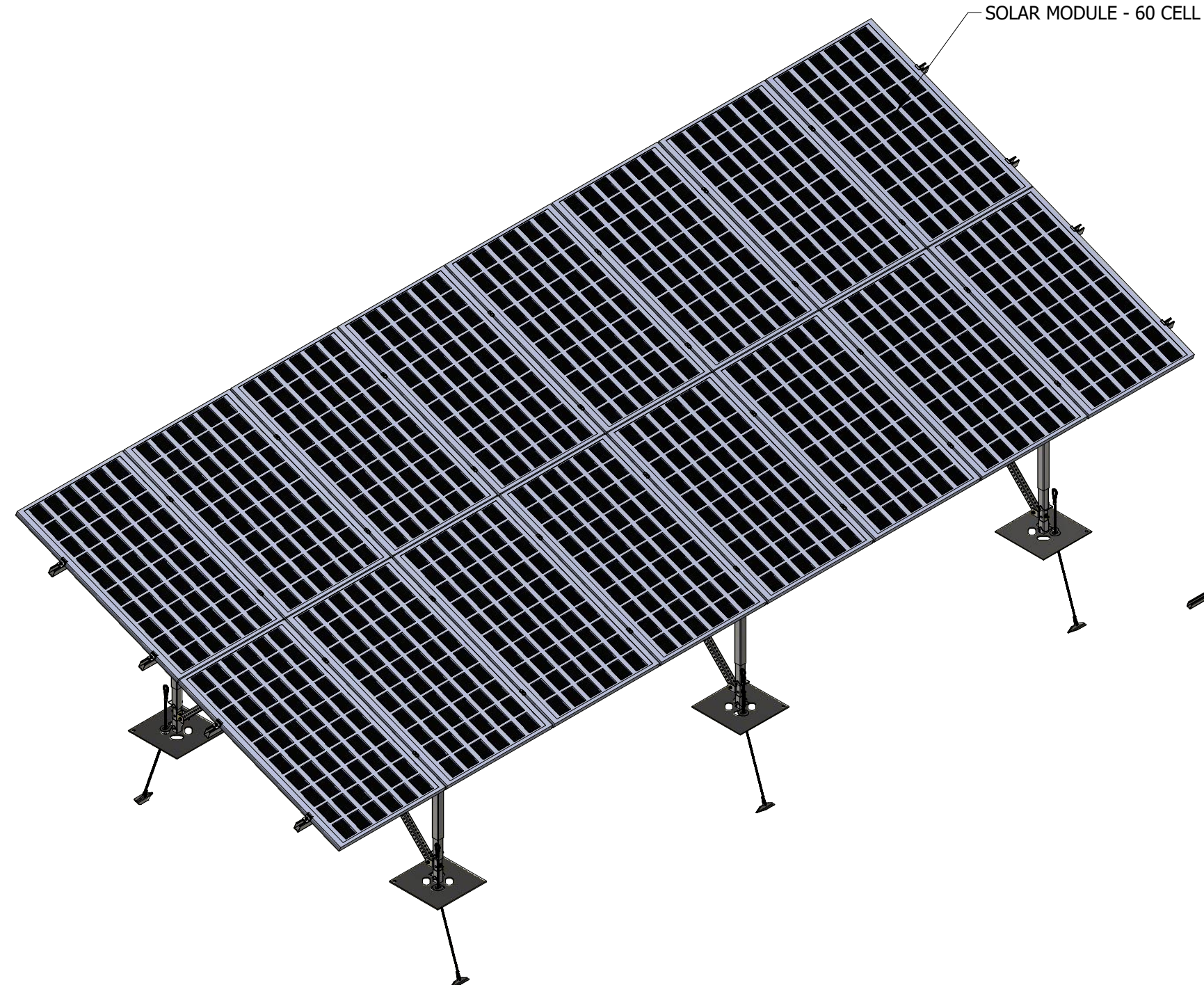
B

B

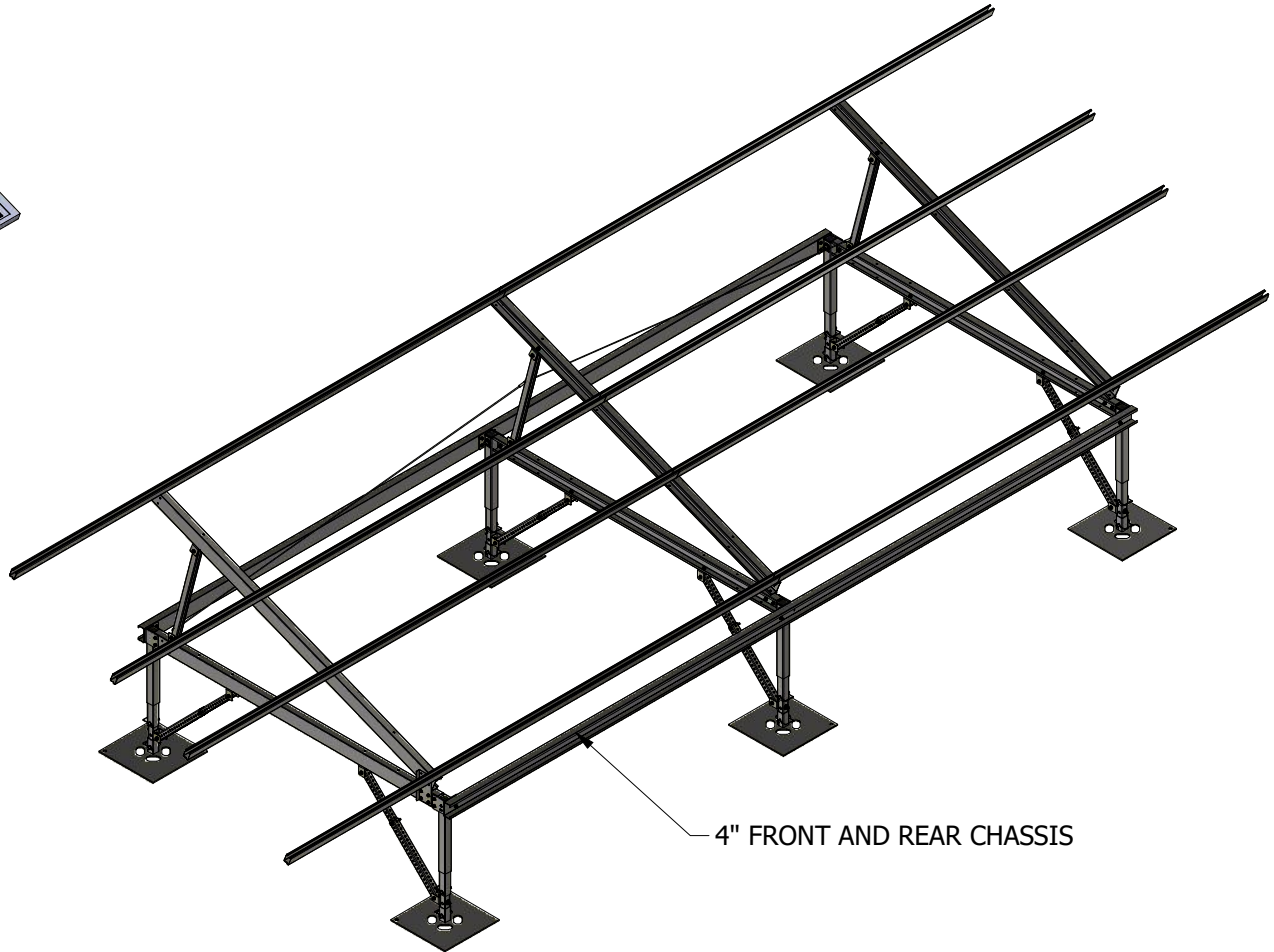
A

A

SOLAR MODULE - 60 CELL



4" FRONT AND REAR CHASSIS



STAMP & SIGNATURE:
 ENGINEERED POWER SOLUTIONS
 1405 Spring Street, Suite 204
 Paso Robles, CA 93446



PROPRIETARY AND CONFIDENTIAL: THE INFORMATION CONTAINED HEREIN IS THE SOLE PROPERTY OF NUANCE ENERGY GROUP, INC. ANY REPRODUCTION IN PART OR WHOLE WITHOUT WRITTEN PERMISSION IS PROHIBITED. (C) COPYRIGHT 2013.
 MACHINED FILLET RADII 0.38-1.27 [.015-.050]. BREAK ALL SHARP EDGES 0.2-0.8 [.01-.03] RADII OR 45°. SURFACE FINISH IN MICRO (P) INCHES (Ra). INTERPRET DRAWING PER ASME Y14.5, ASME Y14.36, AND AWS A2.4 STANDARDS.

DRAW: RODOLFO PEREIRA	03/25/2020	OSPREY POWERPLATFORM	
APPROVED: LUKE ASHWORTH	03/25/2020	TITLE Osprey PowerPlatform Portrait 2x8, Strut - 60 Cell - HD	
WEIGHT: N/A lb		MATERIAL: N/A	
GENERAL TOLERANCES:		SIZE	DWG NO
DECIMALS	ANGULAR	B	OSP-STRUT-60CELL-2X8 - HD
.X ± .1	∠ ± 1°	SCALE	REV 02
.XX ± .01		1:35	
.XXX ± .005			SHEET 1 OF 10

FOR STRUCTURAL ELEMENTS ONLY

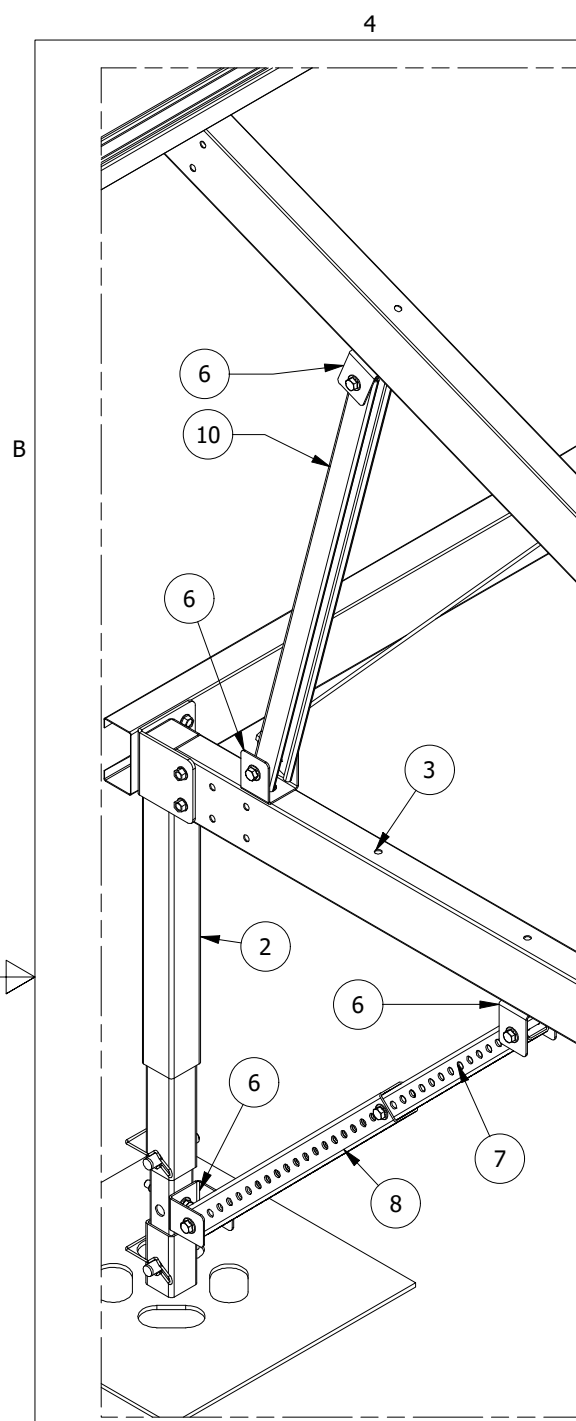
4

3

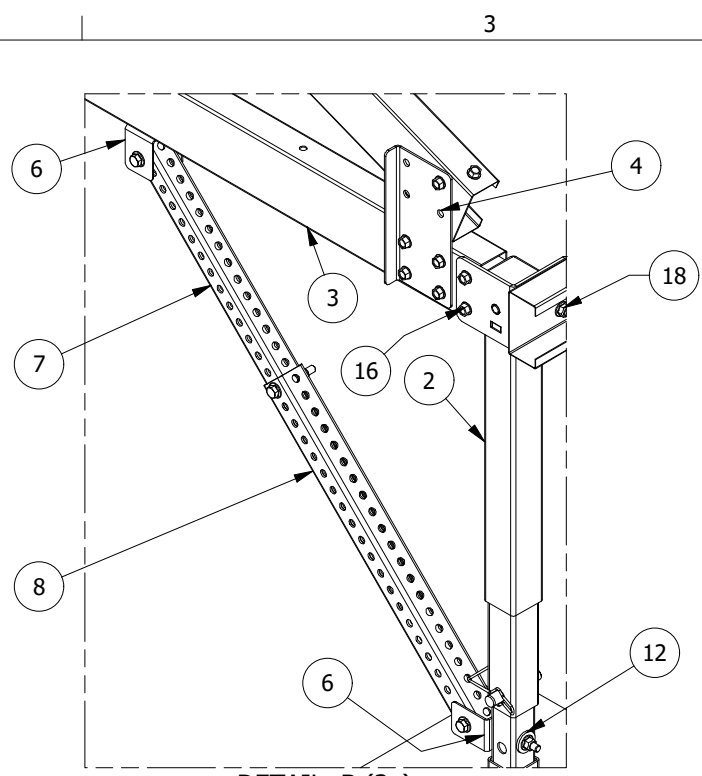
2

1

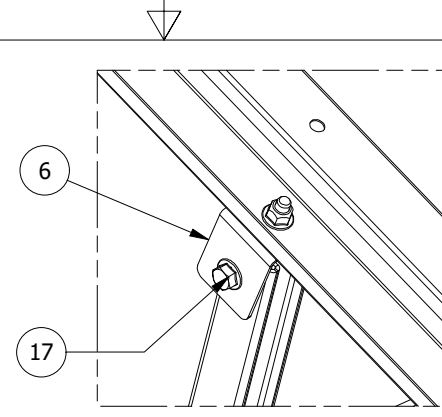




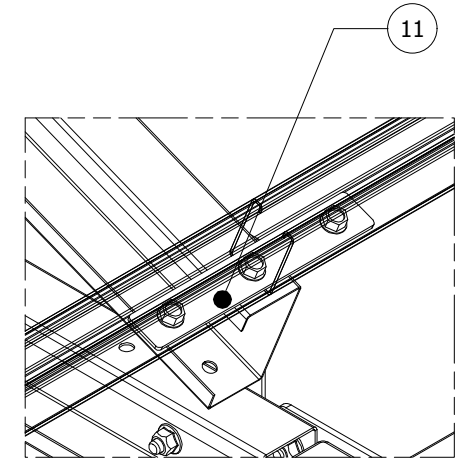
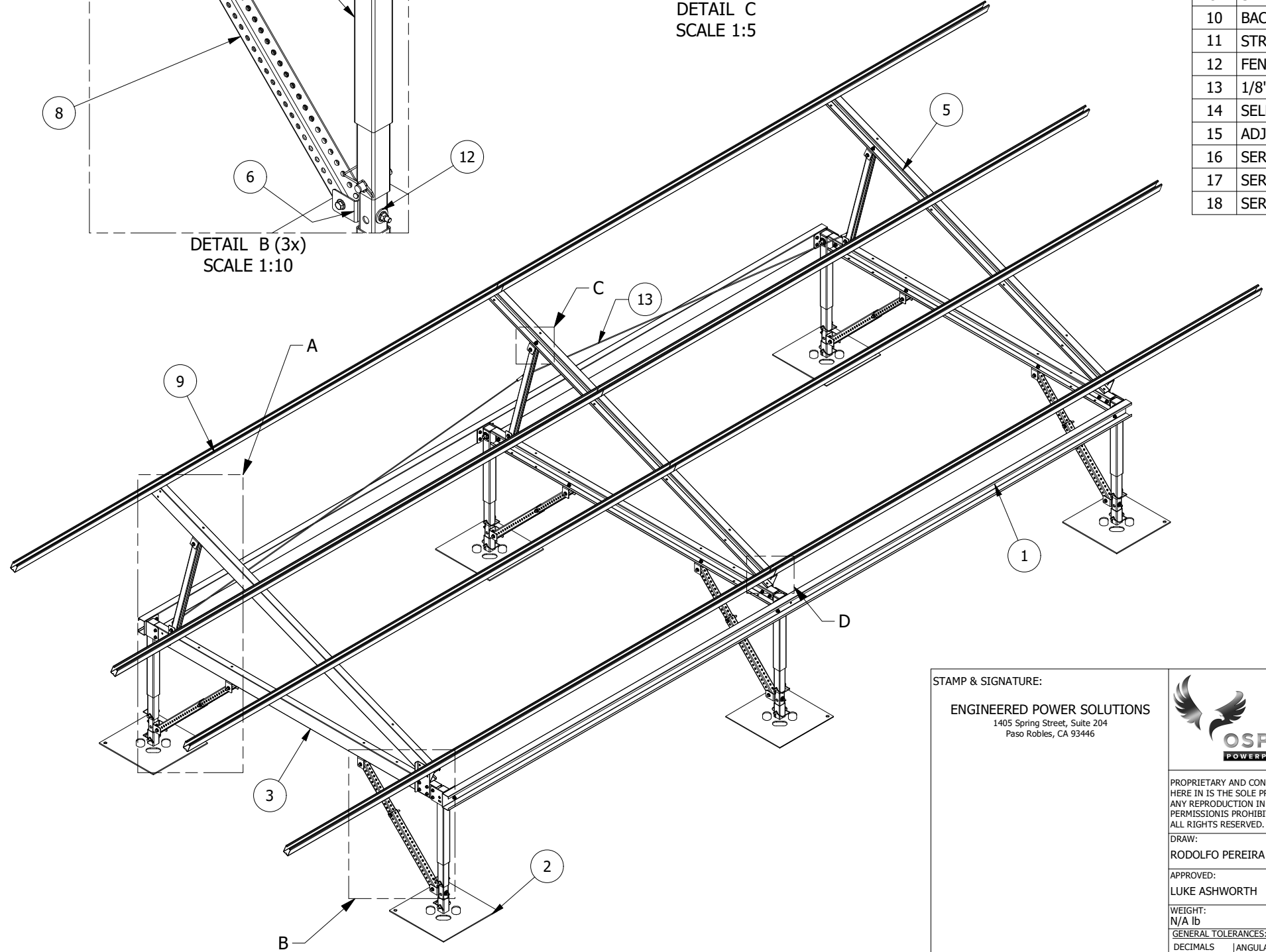
DETAIL A (3x)
SCALE 1:10



DETAIL B (3x)
SCALE 1:10



DETAIL C
SCALE 1:5



DETAIL D
SCALE 1:5

PARTS LIST		
ITEM	DESCRIPTION	QTY
1	FRONT AND REAR CHASSIS - 2x8 HD - G80	2
2	POWER ADJUSTABLE LEG	6
3	CHASSIS STUD - USA 60 CELL HD	3
4	RACK MOUNTING BRACKET - 4 HOLE	3
5	STRONGBACK-STRUT60 - HD G80	3
6	BACK BRACE BRACKET	18
7	TELESCOPIC TUBING 1.50 x 1.50	6
8	TELESCOPIC TUBING 1.75 x 1.75	6
9	STRUT RAIL 2x8 HD XHD 1.63 x 2.44 14GA 80KSI	8
10	BACK BRACE - AS DRAWING 402-009	3
11	STRUT SPLICE PLATE	4
12	FENDER WASHER	6
13	1/8" CABLE BRACE AS DRAWING	2
14	SELF-BONDING MID CLAMP	28
15	ADJUSTABLE END CLAMP	8
16	SERRATED FLANGE BOLT - 3/8"-16 x 1" - [514-008-01]	74
17	SERRATED FLANGE BOLT 3/8"-16 x 2.5" - [514-007-01]	30
18	SERRATED FLANGE NUT -3/8"-16 [514-006-01]	104

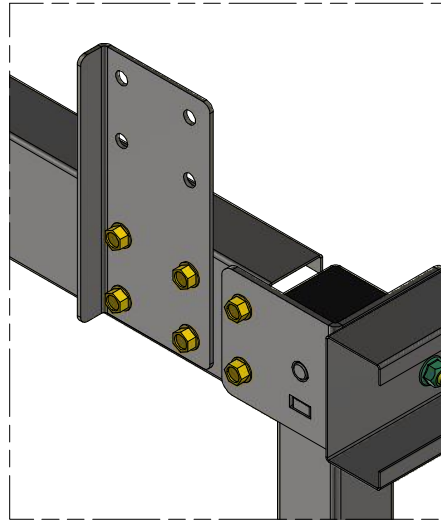
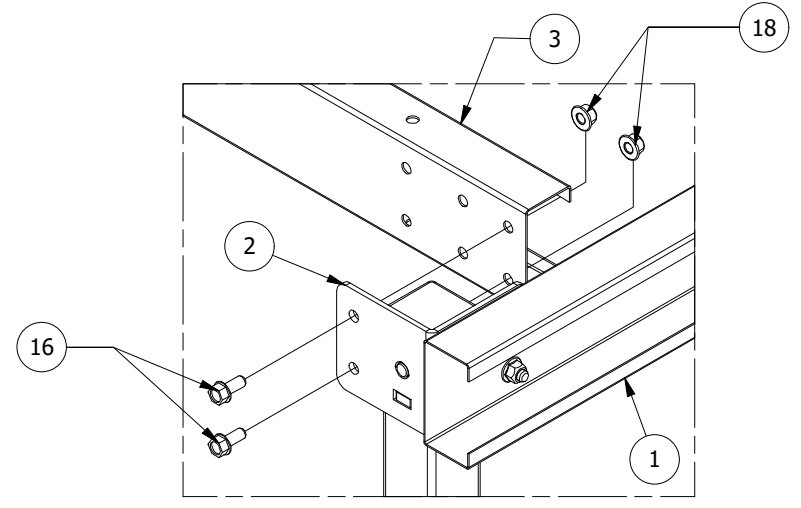
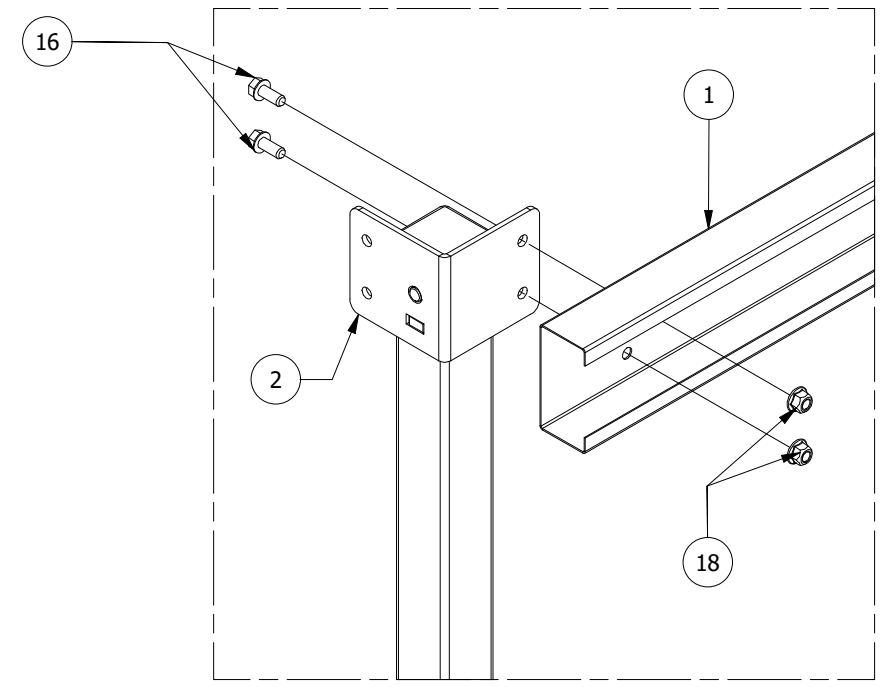
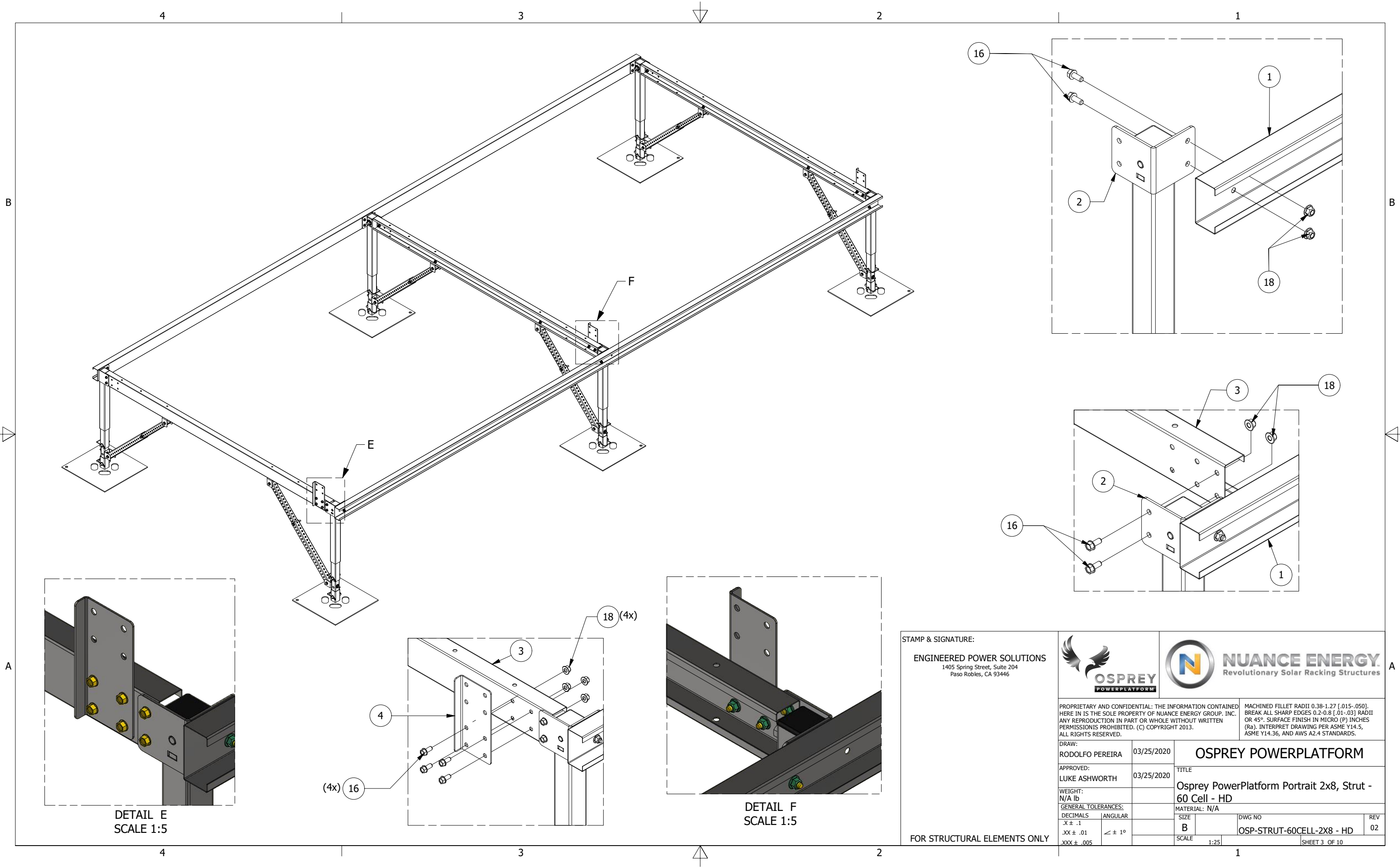
STAMP & SIGNATURE:
ENGINEERED POWER SOLUTIONS
1405 Spring Street, Suite 204
Paso Robles, CA 93446



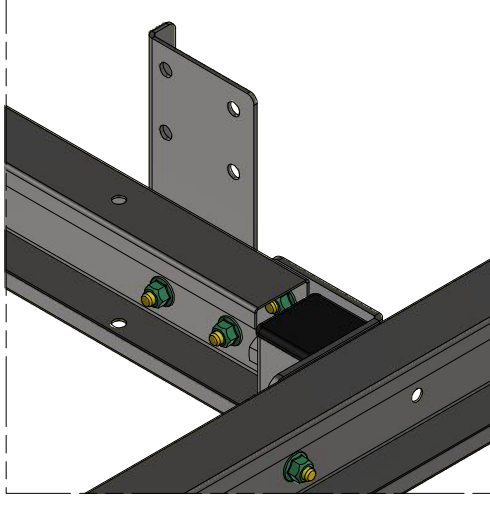
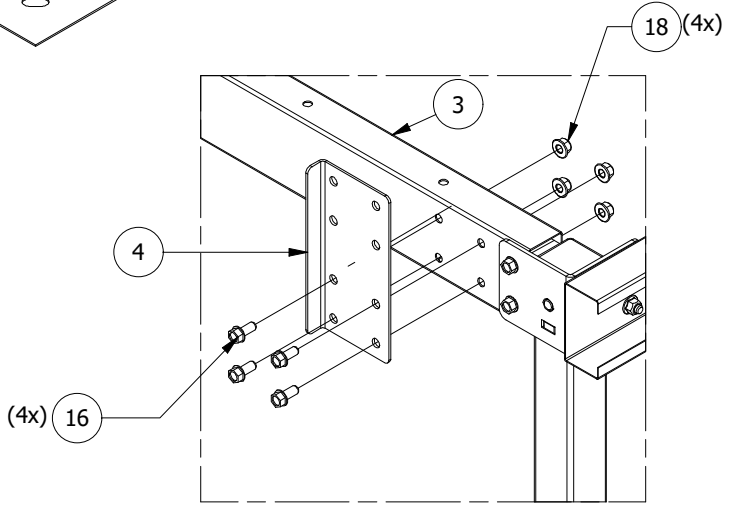
PROPRIETARY AND CONFIDENTIAL: THE INFORMATION CONTAINED HEREIN IS THE SOLE PROPERTY OF NUANCE ENERGY GROUP, INC. ANY REPRODUCTION IN PART OR WHOLE WITHOUT WRITTEN PERMISSION IS PROHIBITED. (C) COPYRIGHT 2013.
MACHINED FILLET RADII 0.38-1.27 [.015-.050]. BREAK ALL SHARP EDGES 0.2-0.8 [.01-.03] RADII OR 45°. SURFACE FINISH IN MICRO (P) INCHES (Ra). INTERPRET DRAWING PER ASME Y14.5, ASME Y14.36, AND AWS A2.4 STANDARDS.

DRAW: RODOLFO PEREIRA	03/25/2020	OSPREY POWERPLATFORM	
APPROVED: LUKE ASHWORTH	03/25/2020	TITLE Osprey PowerPlatform Portrait 2x8, Strut - 60 Cell - HD	
WEIGHT: N/A lb		MATERIAL: N/A	
GENERAL TOLERANCES:		SIZE B	DWG NO OSP-STRUT-60CELL-2X8 - HD
DECIMALS .X ± .1	ANGULAR ≤ ± 1°	SCALE 1:30	REV 02
.XX ± .01			
.XXX ± .005			

FOR STRUCTURAL ELEMENTS ONLY



DETAIL E
SCALE 1:5



DETAIL F
SCALE 1:5

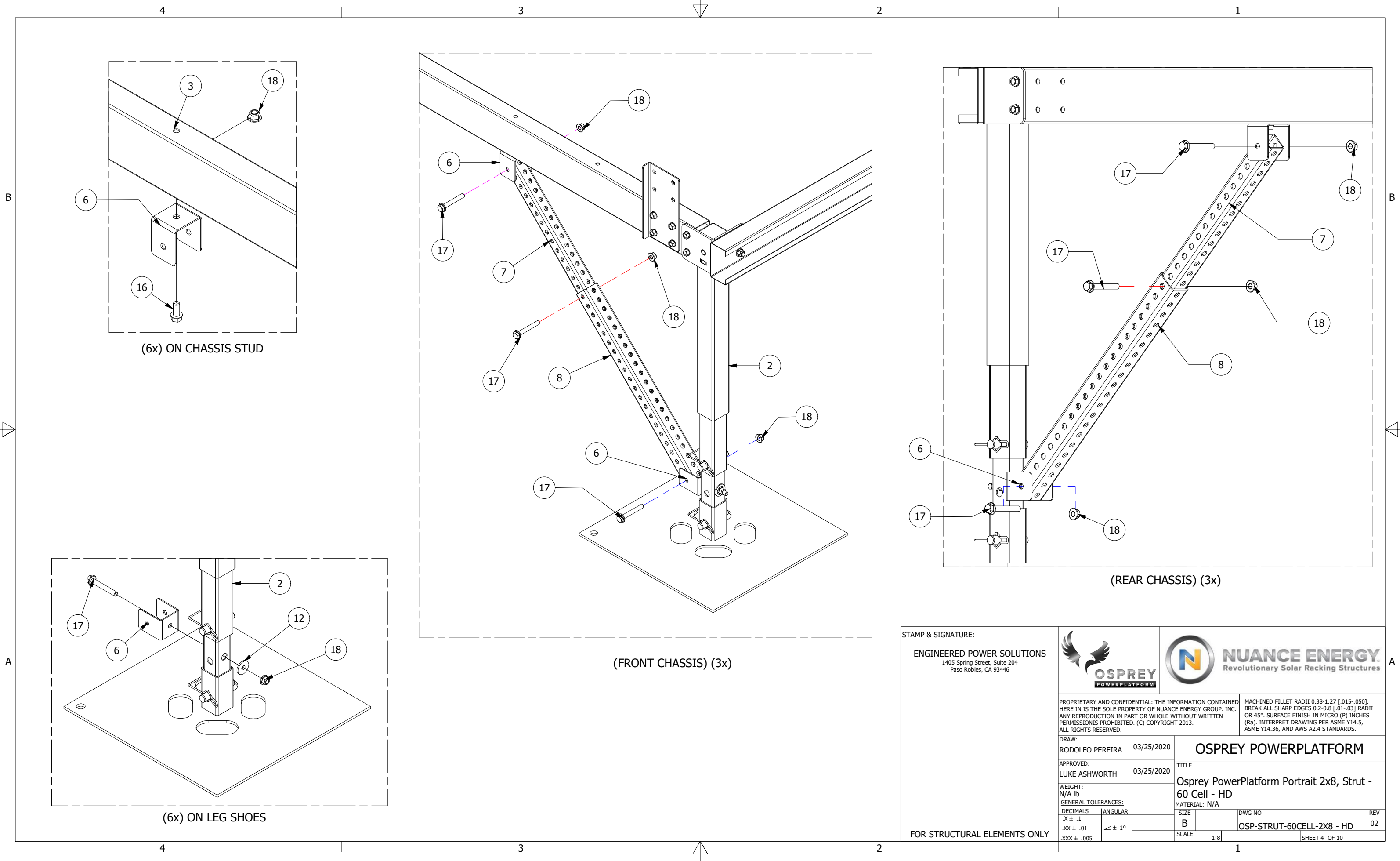
STAMP & SIGNATURE:
ENGINEERED POWER SOLUTIONS
1405 Spring Street, Suite 204
Paso Robles, CA 93446



PROPRIETARY AND CONFIDENTIAL: THE INFORMATION CONTAINED HEREIN IS THE SOLE PROPERTY OF NUANCE ENERGY GROUP, INC. ANY REPRODUCTION IN PART OR WHOLE WITHOUT WRITTEN PERMISSION IS PROHIBITED. (C) COPYRIGHT 2013.
MACHINED FILLET RADII 0.38-1.27 [.015-.050]. BREAK ALL SHARP EDGES 0.2-0.8 [.01-.03] RADII OR 45°. SURFACE FINISH IN MICRO (P) INCHES (Ra). INTERPRET DRAWING PER ASME Y14.5, ASME Y14.36, AND AWS A2.4 STANDARDS.

DRAW: RODOLFO PEREIRA	03/25/2020	OSPREY POWERPLATFORM	
APPROVED: LUKE ASHWORTH	03/25/2020	TITLE	
WEIGHT: N/A lb		Osprey PowerPlatform Portrait 2x8, Strut - 60 Cell - HD	
GENERAL TOLERANCES:		MATERIAL: N/A	
DECIMALS	ANGULAR	SIZE	DWG NO
.X ± .1		B	OSP-STRUT-60CELL-2X8 - HD
.XX ± .01	≤ ± 1°	SCALE	REV
.XXX ± .005		1:25	02
			SHEET 3 OF 10

FOR STRUCTURAL ELEMENTS ONLY



STAMP & SIGNATURE:
ENGINEERED POWER SOLUTIONS
 1405 Spring Street, Suite 204
 Paso Robles, CA 93446

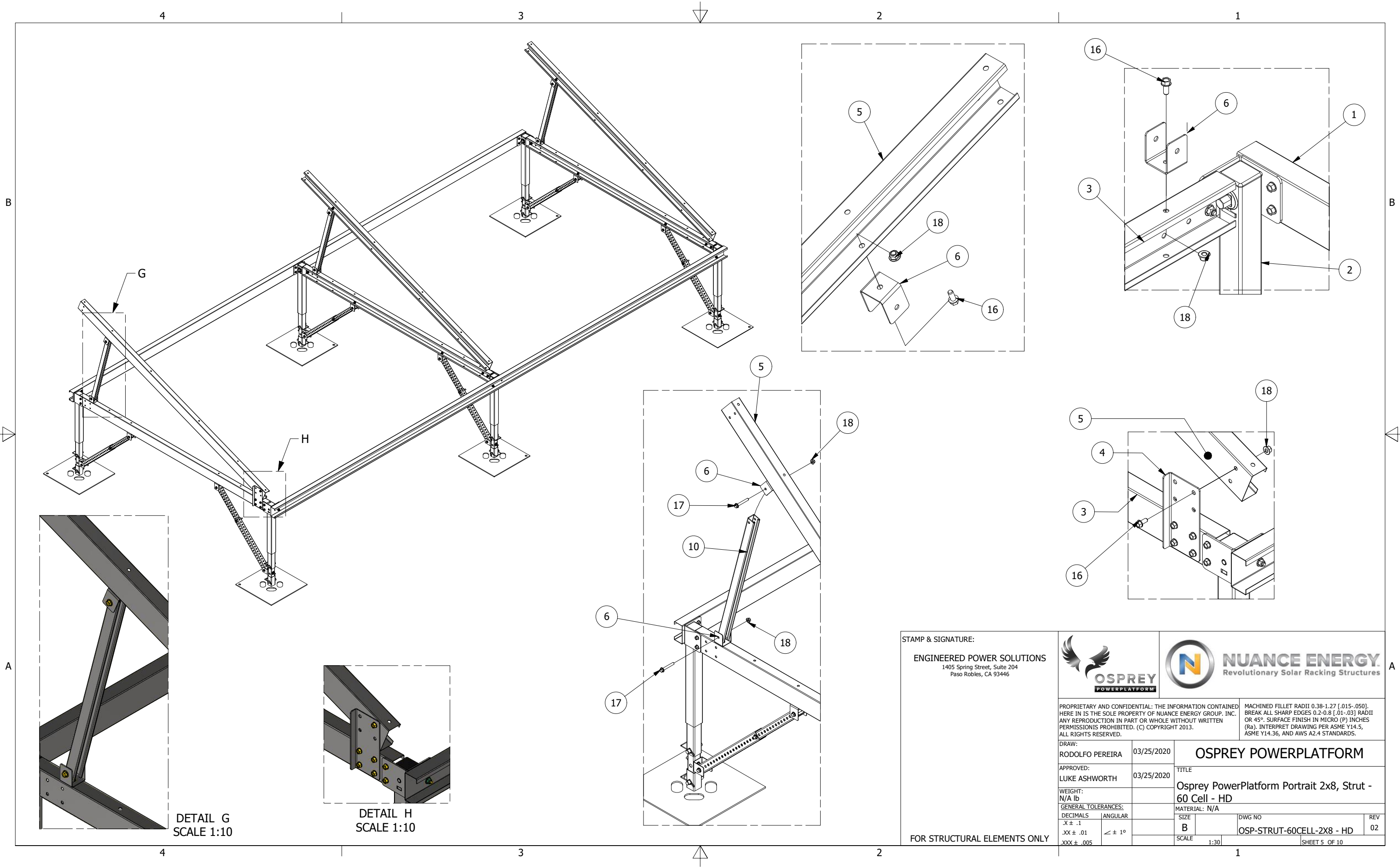


PROPRIETARY AND CONFIDENTIAL: THE INFORMATION CONTAINED HEREIN IS THE SOLE PROPERTY OF NUANCE ENERGY GROUP, INC. ANY REPRODUCTION IN PART OR WHOLE WITHOUT WRITTEN PERMISSION IS PROHIBITED. (C) COPYRIGHT 2013.

MACHINED FILLET RADII 0.38-1.27 [.015-.050].
 BREAK ALL SHARP EDGES 0.2-0.8 [.01-.03] RADII
 OR 45°. SURFACE FINISH IN MICRO (P) INCHES
 (Ra). INTERPRET DRAWING PER ASME Y14.5,
 ASME Y14.36, AND AWS A2.4 STANDARDS.

DRAW: RODOLFO PEREIRA	03/25/2020	OSPREY POWERPLATFORM	
APPROVED: LUKE ASHWORTH	03/25/2020	TITLE Osprey PowerPlatform Portrait 2x8, Strut - 60 Cell - HD	
WEIGHT: N/A lb		MATERIAL: N/A	
GENERAL TOLERANCES:		SIZE	DWG NO
DECIMALS	ANGULAR	B	OSP-STRUT-60CELL-2X8 - HD
.X ± .1	∠ ± 1°	SCALE	REV 02
.XX ± .01		1:8	
.XXX ± .005			SHEET 4 OF 10

FOR STRUCTURAL ELEMENTS ONLY



DETAIL G
SCALE 1:10

DETAIL H
SCALE 1:10

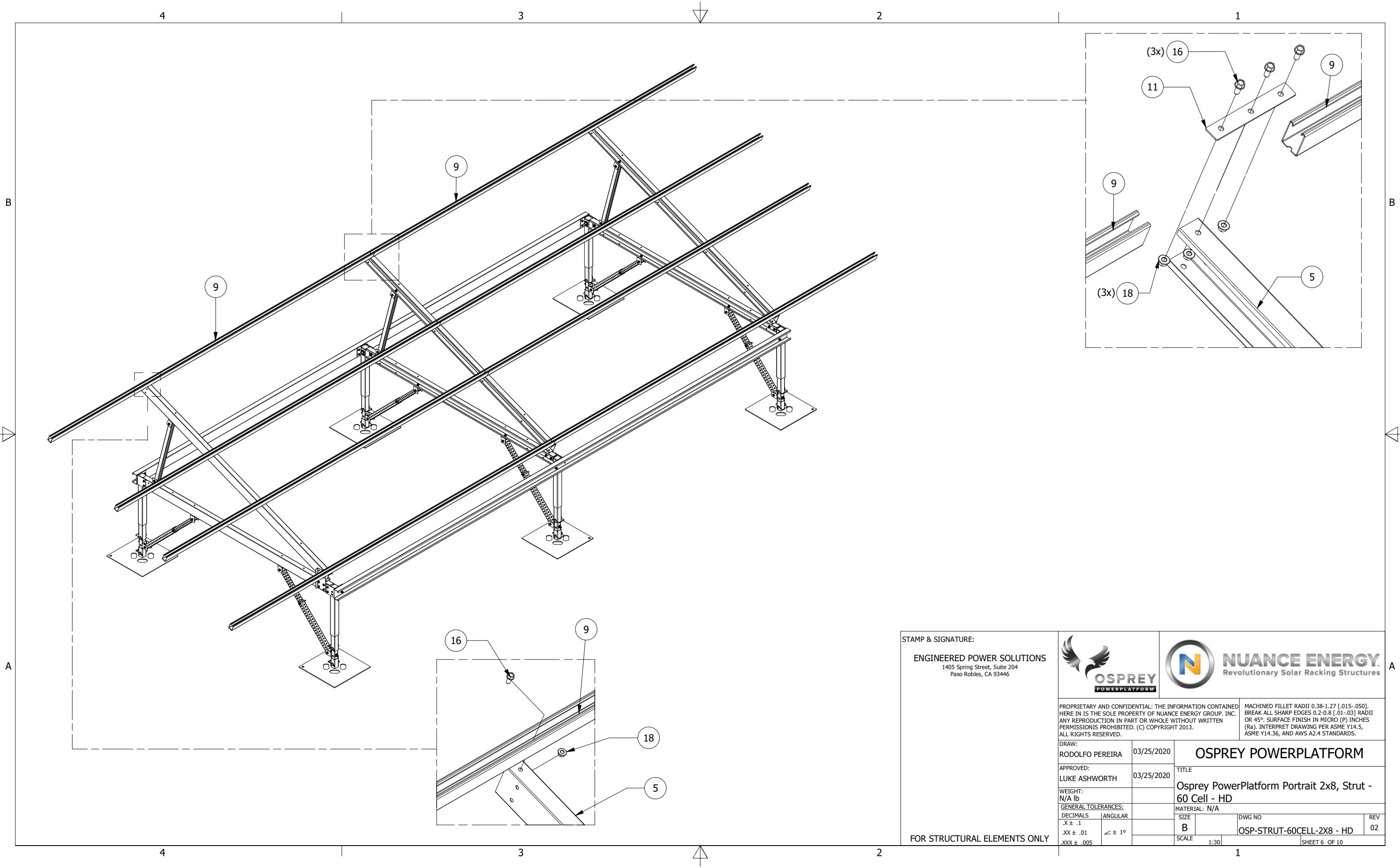
STAMP & SIGNATURE:
ENGINEERED POWER SOLUTIONS
 1405 Spring Street, Suite 204
 Paso Robles, CA 93446



PROPRIETARY AND CONFIDENTIAL: THE INFORMATION CONTAINED HEREIN IS THE SOLE PROPERTY OF NUANCE ENERGY GROUP, INC. ANY REPRODUCTION IN PART OR WHOLE WITHOUT WRITTEN PERMISSION IS PROHIBITED. (C) COPYRIGHT 2013.
 MACHINED FILLET RADII 0.38-1.27 [.015-.050].
 BREAK ALL SHARP EDGES 0.2-0.8 [.01-.03] RADII OR 45°. SURFACE FINISH IN MICRO (P) INCHES (Ra). INTERPRET DRAWING PER ASME Y14.5, ASME Y14.36, AND AWS A2.4 STANDARDS.

DRAW: RODOLFO PEREIRA	03/25/2020	OSPREY POWERPLATFORM	
APPROVED: LUKE ASHWORTH	03/25/2020	TITLE	
WEIGHT: N/A lb		Osprey PowerPlatform Portrait 2x8, Strut - 60 Cell - HD	
GENERAL TOLERANCES:		MATERIAL: N/A	
DECIMALS	ANGULAR	SIZE	DWG NO
.X ± .1	∠ ± 1°	B	OSP-STRUT-60CELL-2X8 - HD
.XX ± .01		SCALE	REV
.XXX ± .005		1:30	02
			SHEET 5 OF 10

FOR STRUCTURAL ELEMENTS ONLY



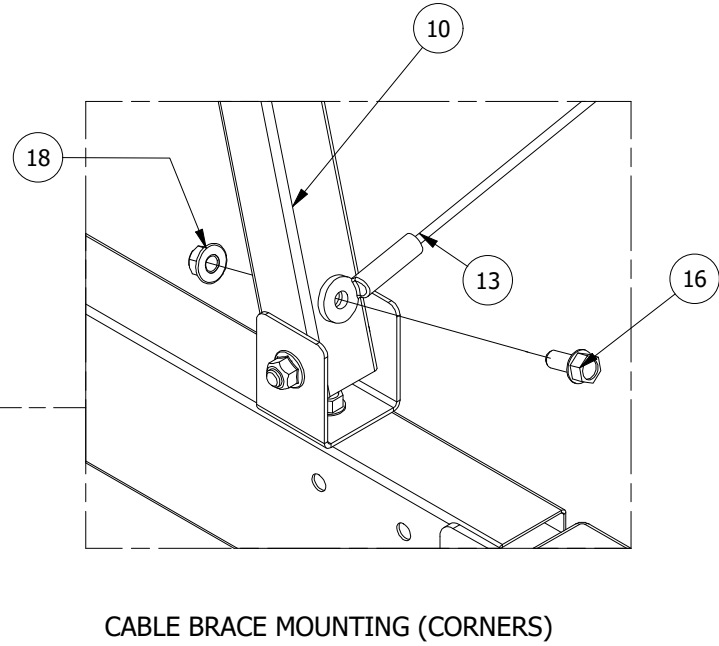
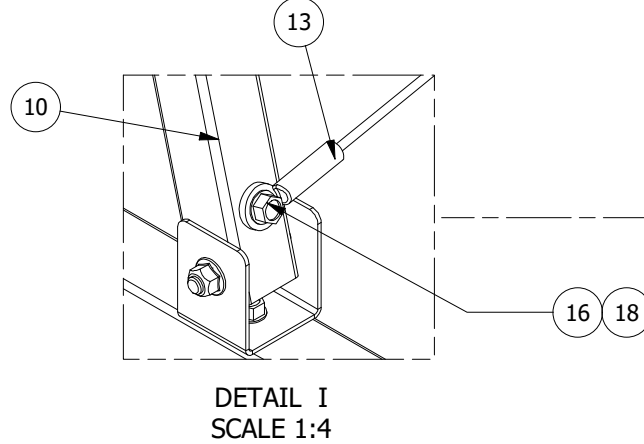
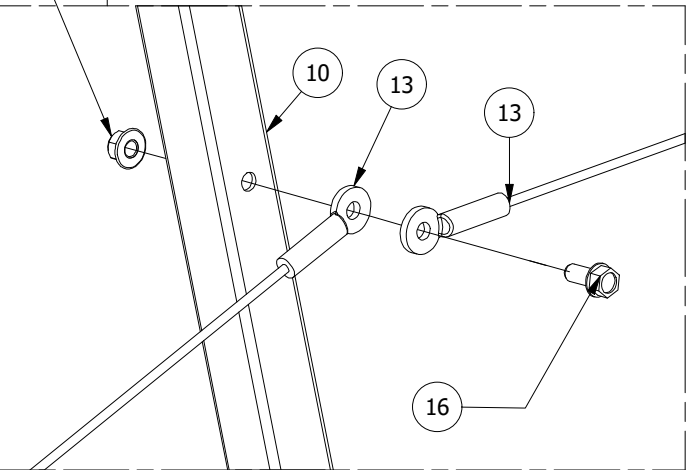
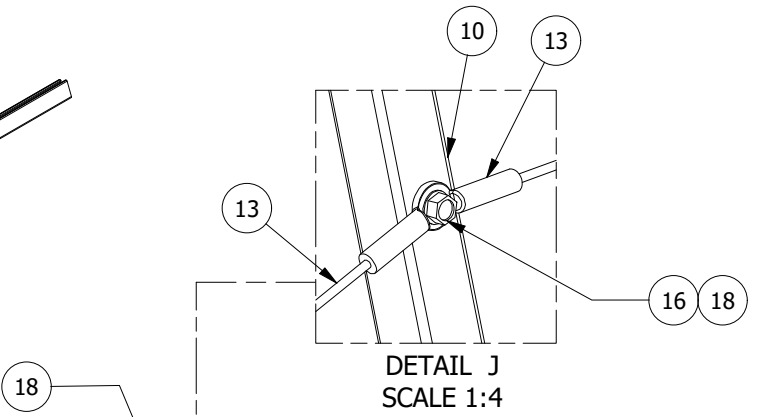
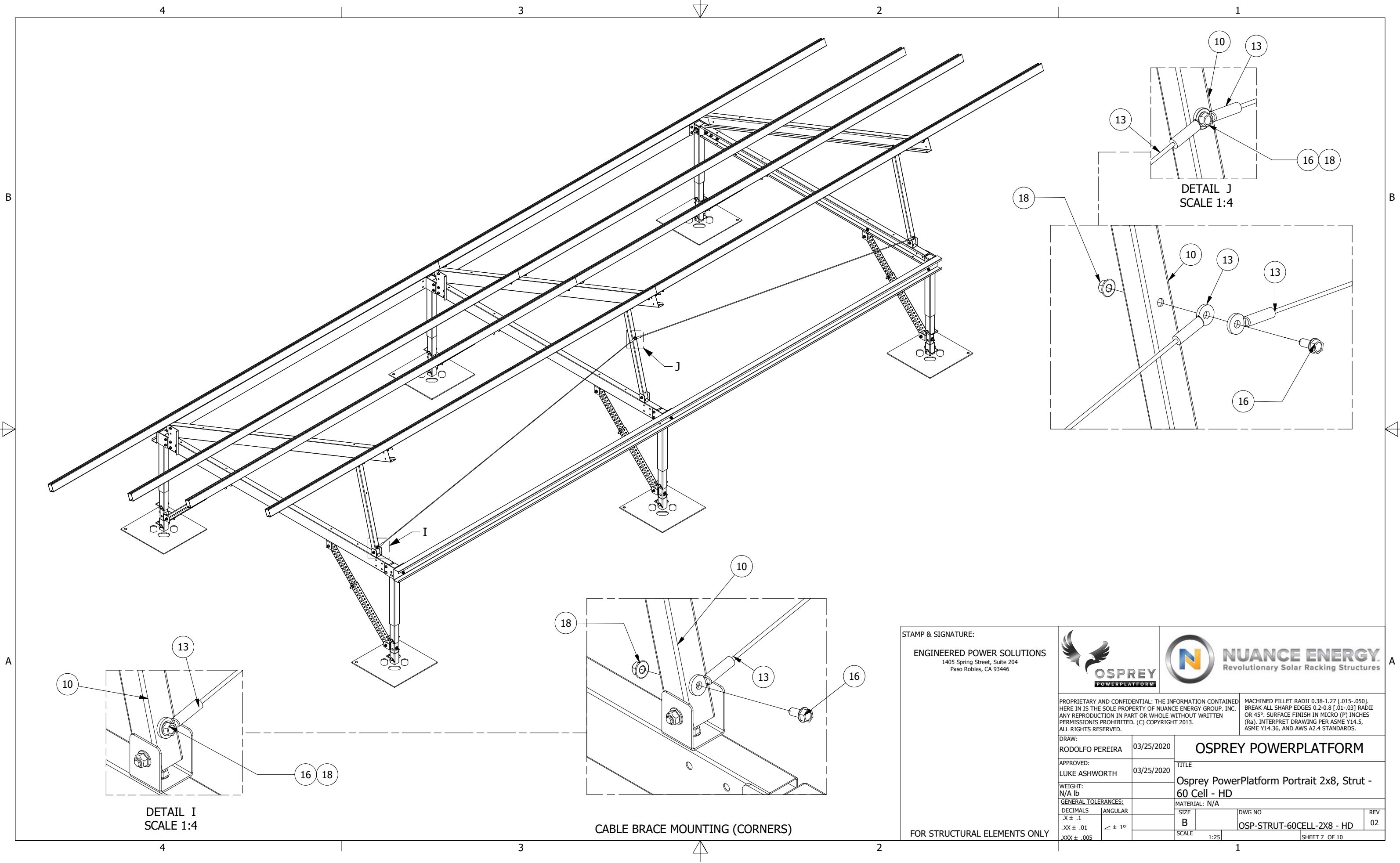
STAMP & SIGNATURE:
ENGINEERED POWER SOLUTIONS
 1405 Spring Street, Suite 204
 Paso Robles, CA 93446



PROPRIETARY AND CONFIDENTIAL: THE INFORMATION CONTAINED HEREIN IS THE SOLE PROPERTY OF NUANCE ENERGY GROUP, INC. ANY REPRODUCTION IN PART OR WHOLE WITHOUT WRITTEN PERMISSION IS PROHIBITED. (C) COPYRIGHT 2013.
 MACHINED FILLET RADII 0.38-1.27 [.015-.050].
 BREAK ALL SHARP EDGES 0.2-0.8 [.01-.03] RADII OR 45°. SURFACE FINISH IN MICRO (P) INCHES (Ra). INTERPRET DRAWING PER ASME Y14.5, ASME Y14.36, AND AWS A2.4 STANDARDS.



DRAW: RODOLFO PEREIRA	03/25/2020	OSPREY POWERPLATFORM	
APPROVED: LUKE ASHWORTH	03/25/2020	TITLE Osprey PowerPlatform Portrait 2x8, Strut - 60 Cell - HD	
WEIGHT: N/A lb		MATERIAL: N/A	
GENERAL TOLERANCES:		SIZE B	DWG NO OSP-STRUT-60CELL-2X8 - HD
DECIMALS .X ± .1	ANGULAR ∠ ± 1°	SCALE 1:30	REV 02
.XX ± .01			SHEET 6 OF 10
.XXX ± .005			

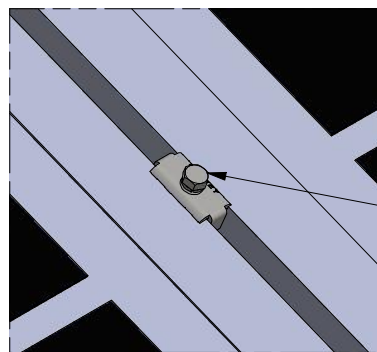
FOR STRUCTURAL ELEMENTS ONLY



STAMP & SIGNATURE:
ENGINEERED POWER SOLUTIONS
 1405 Spring Street, Suite 204
 Paso Robles, CA 93446

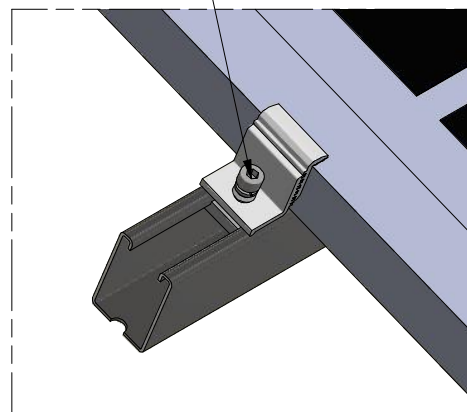
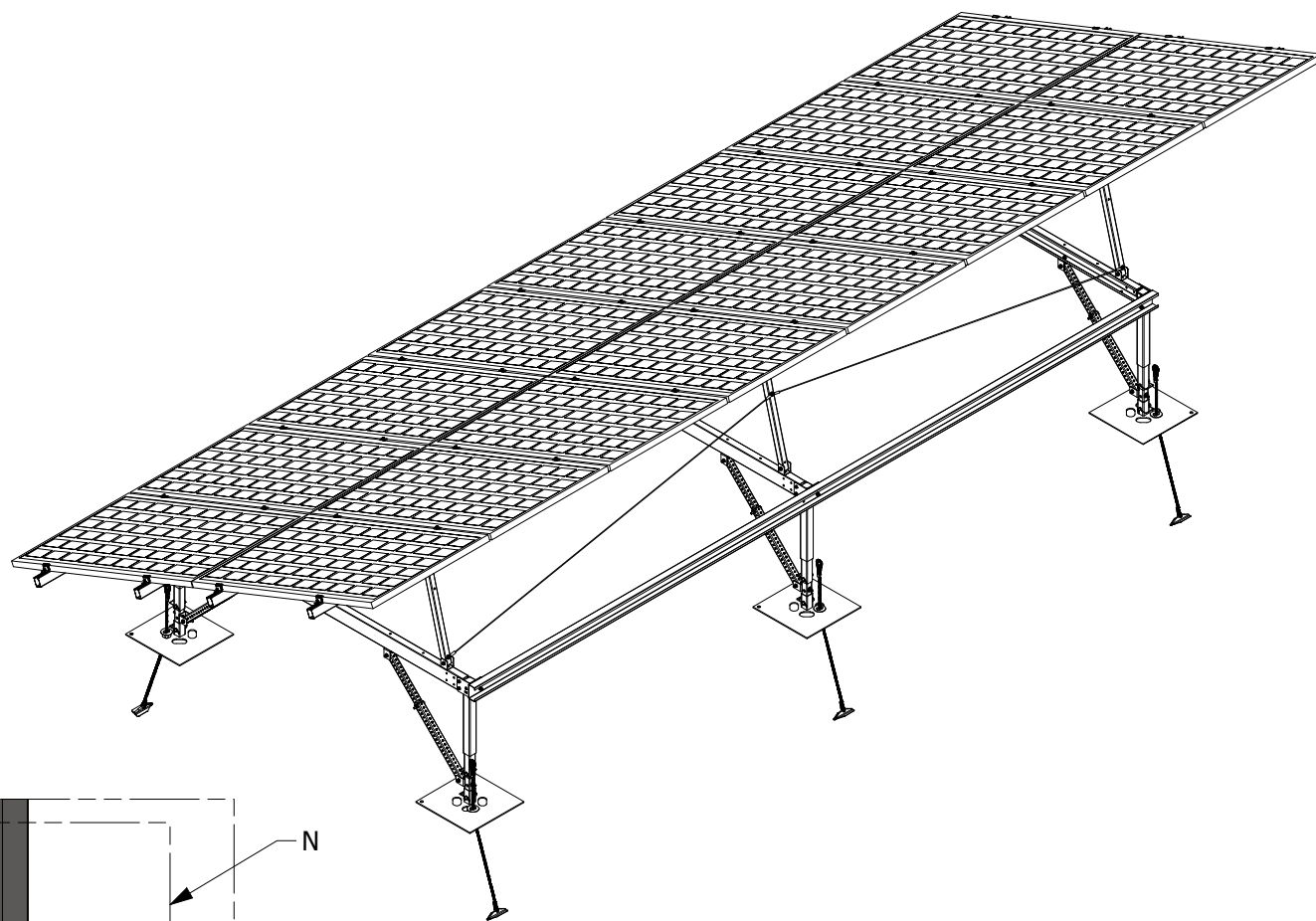
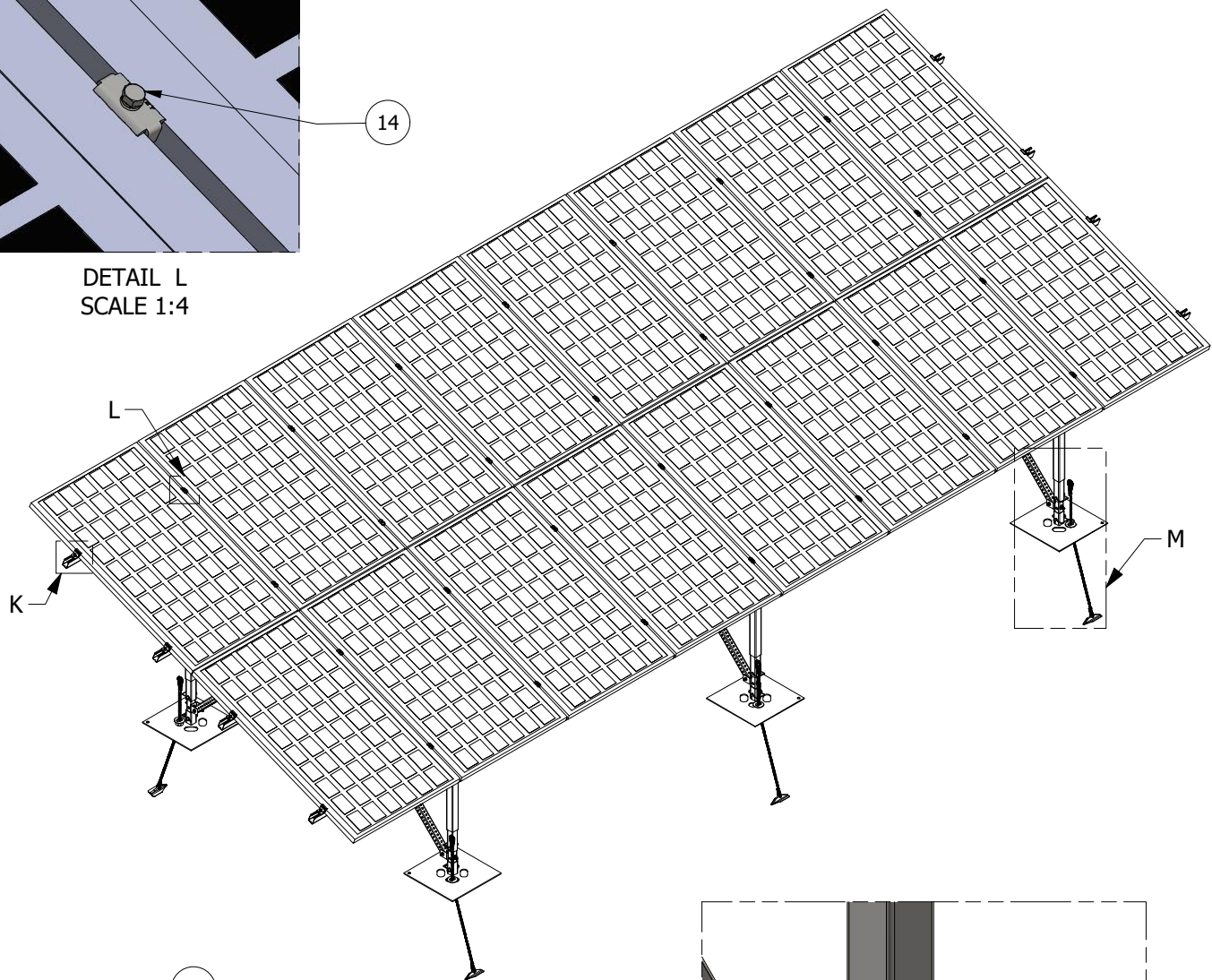
FOR STRUCTURAL ELEMENTS ONLY

 	
<small>PROPRIETARY AND CONFIDENTIAL: THE INFORMATION CONTAINED HEREIN IS THE SOLE PROPERTY OF NUANCE ENERGY GROUP, INC. ANY REPRODUCTION IN PART OR WHOLE WITHOUT WRITTEN PERMISSION IS PROHIBITED. (C) COPYRIGHT 2013.</small>	
<small>MACHINED FILLET RADII 0.38-1.27 [.015-.050]. BREAK ALL SHARP EDGES 0.2-0.8 [.01-.03] RADII OR 45°. SURFACE FINISH IN MICRO (P) INCHES (Ra). INTERPRET DRAWING PER ASME Y14.5, ASME Y14.36, AND AWS A2.4 STANDARDS.</small>	
DRAW: RODOLFO PEREIRA	03/25/2020
OSPREY POWERPLATFORM	
APPROVED: LUKE ASHWORTH	03/25/2020
WEIGHT: N/A lb	
GENERAL TOLERANCES: DECIMALS ANGULAR	
.X ± .1 .XX ± .01 .XXX ± .005	≤ ± 1°
TITLE Osprey PowerPlatform Portrait 2x8, Strut - 60 Cell - HD	MATERIAL: N/A SIZE: B DWG NO: OSP-STRUT-60CELL-2X8 - HD REV: 02
SCALE: 1:25	SHEET 7 OF 10



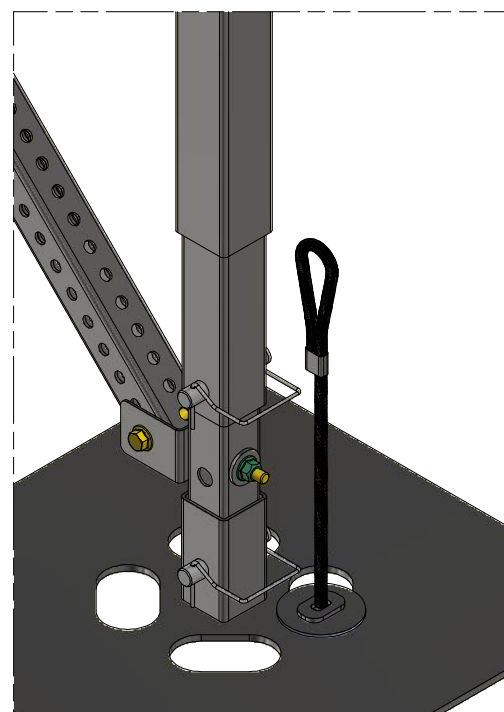
DETAIL L
SCALE 1:4

14

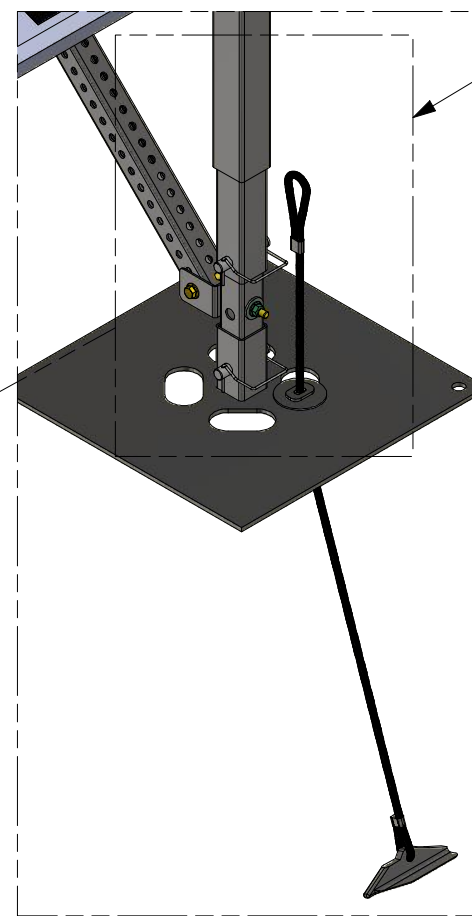


DETAIL K
SCALE 1:4

15



DETAIL N (ANCHOR DETAIL)
SCALE 1:6



DETAIL M (Typ. 6x - 180°)
SCALE 1:10

STAMP & SIGNATURE:

ENGINEERED POWER SOLUTIONS
1405 Spring Street, Suite 204
Paso Robles, CA 93446



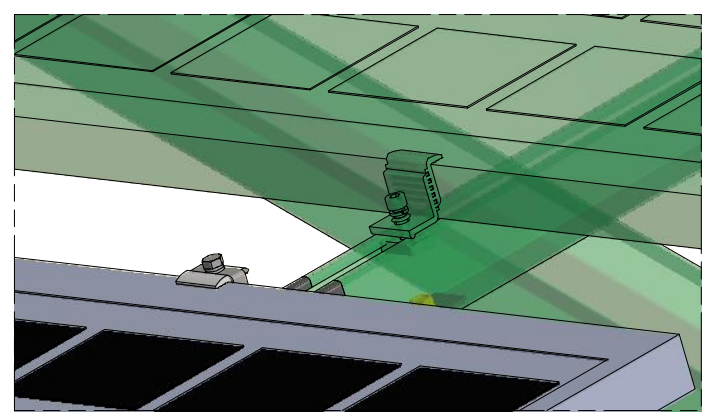
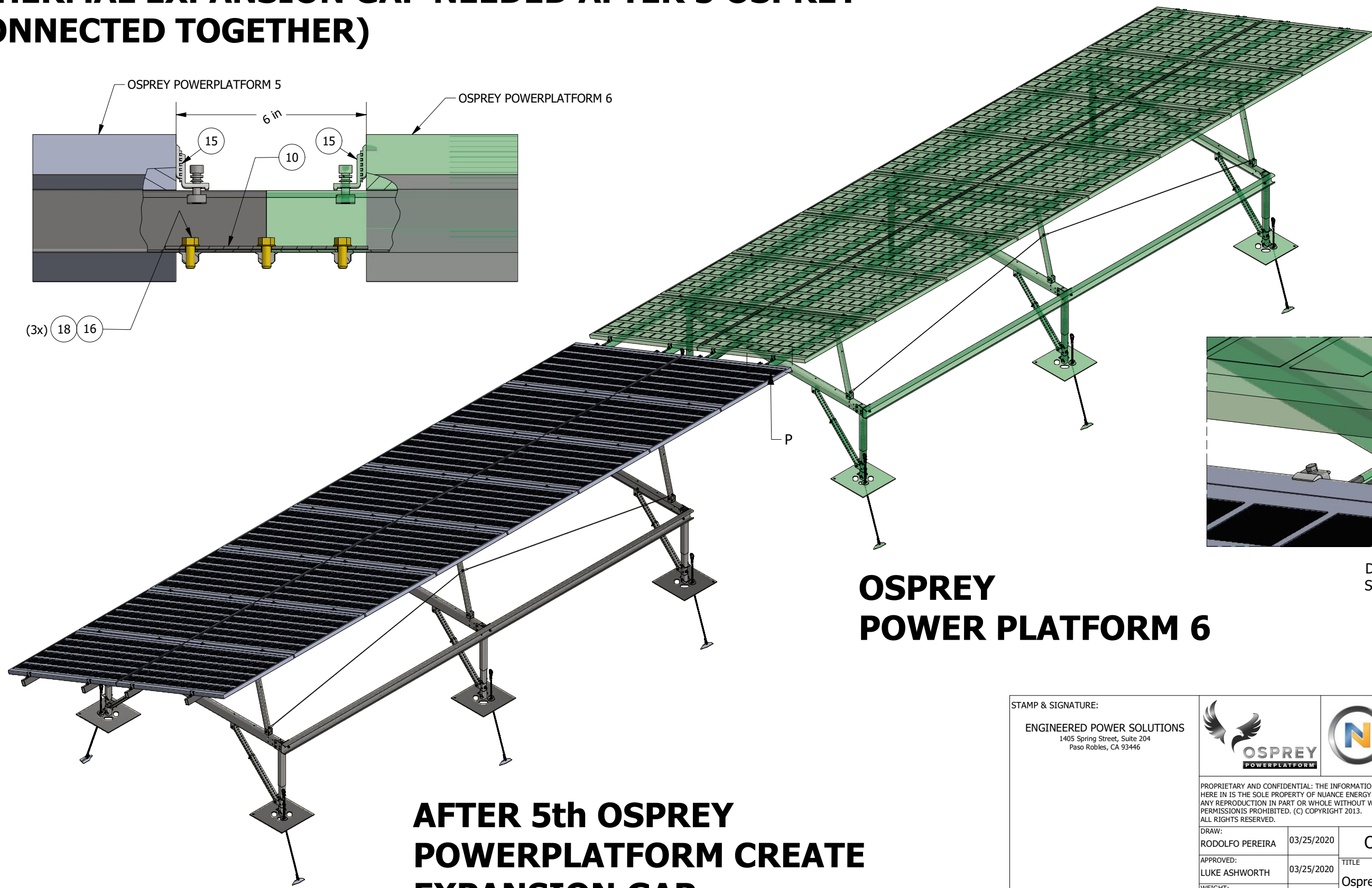
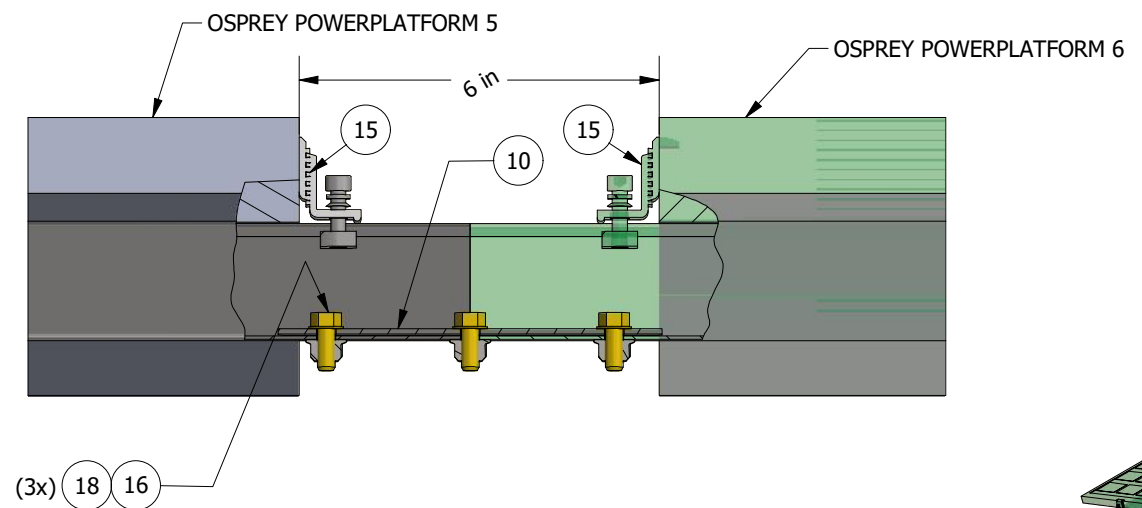
PROPRIETARY AND CONFIDENTIAL: THE INFORMATION CONTAINED HEREIN IS THE SOLE PROPERTY OF NUANCE ENERGY GROUP, INC. ANY REPRODUCTION IN PART OR WHOLE WITHOUT WRITTEN PERMISSION IS PROHIBITED. (C) COPYRIGHT 2013.

MACHINED FILLET RADII 0.38-1.27 [.015-.050].
BREAK ALL SHARP EDGES 0.2-0.8 [.01-.03] RADII
OR 45°. SURFACE FINISH IN MICRO (P) INCHES
(Ra). INTERPRET DRAWING PER ASME Y14.5,
ASME Y14.36, AND AWS A2.4 STANDARDS.

DRAW: RODOLFO PEREIRA	03/25/2020	OSPREY POWERPLATFORM	
APPROVED: LUKE ASHWORTH	03/25/2020	TITLE	
WEIGHT: N/A lb		Osprey PowerPlatform Portrait 2x8, Strut - 60 Cell - HD	
GENERAL TOLERANCES:		MATERIAL: N/A	
DECIMALS	ANGULAR	SIZE	DWG NO
.X ± .1		B	OSP-STRUT-60CELL-2X8 - HD
.XX ± .01	≤ ± 1°	SCALE	REV
.XXX ± .005		1:45	02
			SHEET 8 OF 10

FOR STRUCTURAL ELEMENTS ONLY

(THERMAL EXPANSION GAP NEEDED AFTER 5 OSPREY CONNECTED TOGETHER)



DETAIL P
SCALE 1:5

OSPREY POWER PLATFORM 6

AFTER 5th OSPREY POWERPLATFORM CREATE EXPANSION GAP

STAMP & SIGNATURE:
ENGINEERED POWER SOLUTIONS
1405 Spring Street, Suite 204
Paso Robles, CA 93446



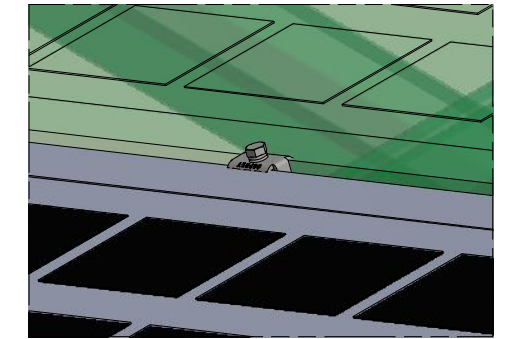
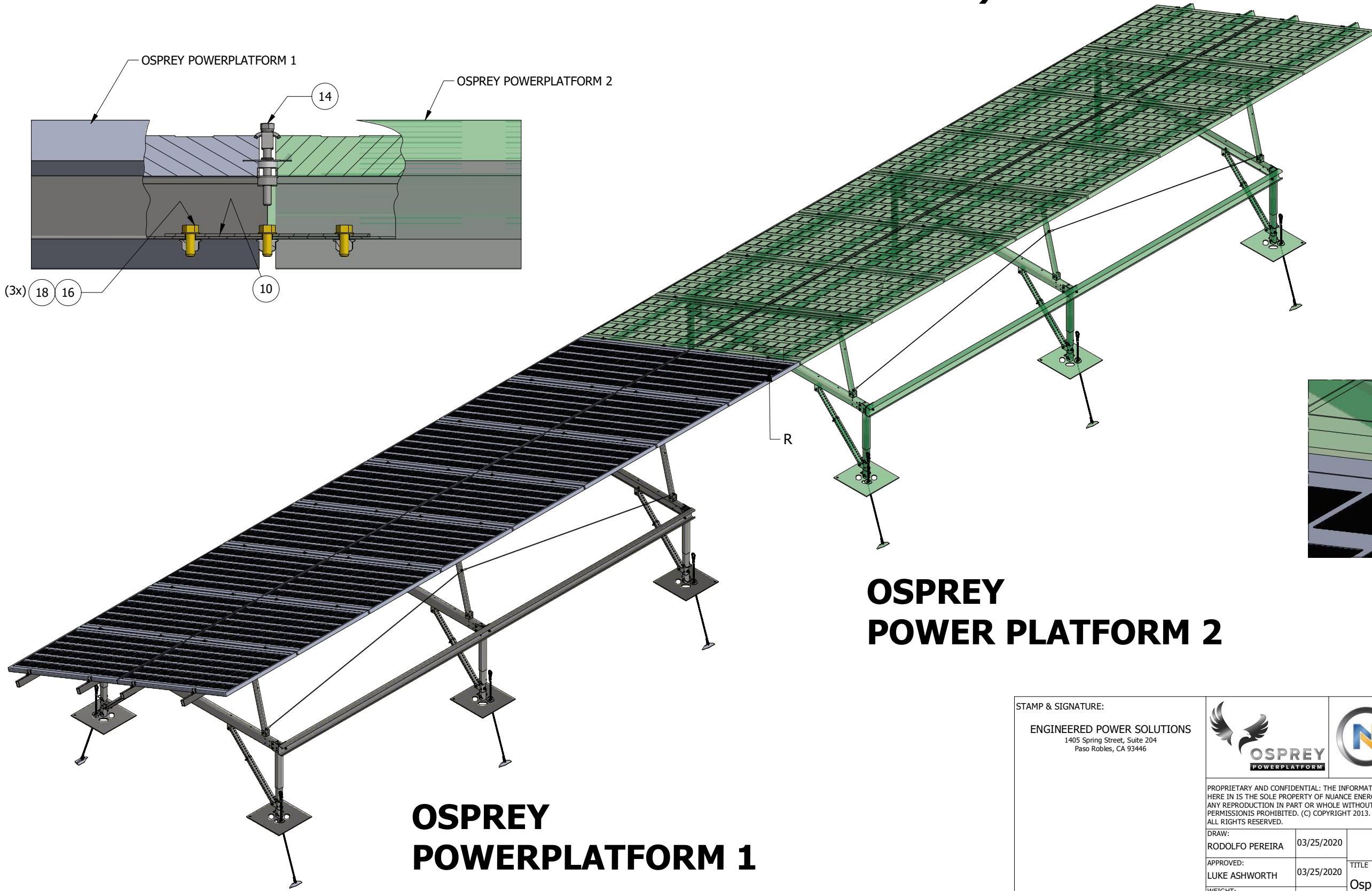
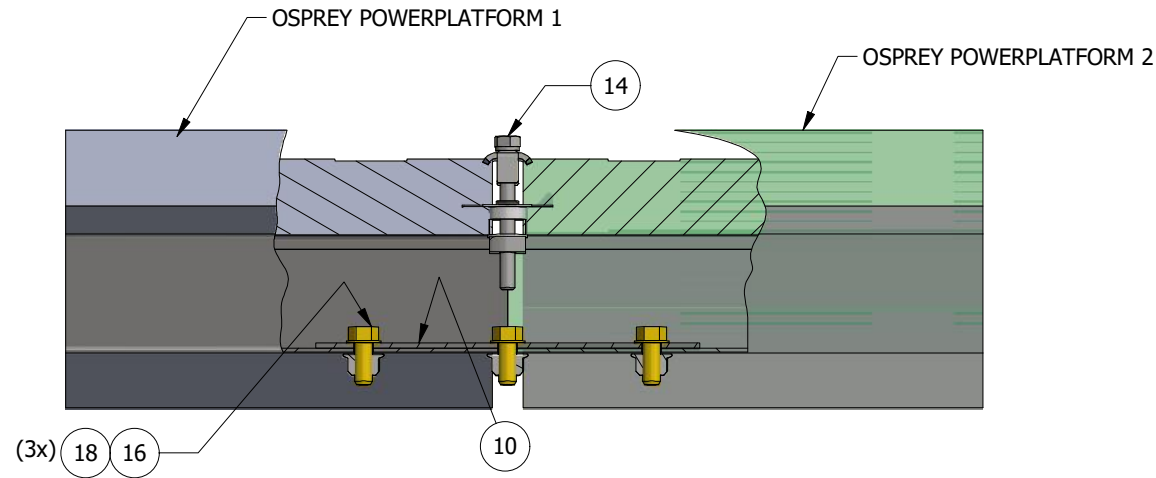
PROPRIETARY AND CONFIDENTIAL: THE INFORMATION CONTAINED HEREIN IS THE SOLE PROPERTY OF NUANCE ENERGY GROUP, INC. ANY REPRODUCTION IN PART OR WHOLE WITHOUT WRITTEN PERMISSION IS PROHIBITED. (C) COPYRIGHT 2013.

MACHINED FILLET RADII 0.38-1.27 [.015-.050].
BREAK ALL SHARP EDGES 0.2-0.8 [.01-.03] RADII OR 45°. SURFACE FINISH IN MICRO (P) INCHES (Ra). INTERPRET DRAWING PER ASME Y14.5, ASME Y14.36, AND AWS A2.4 STANDARDS.

DRAW: RODOLFO PEREIRA	03/25/2020	OSPREY POWERPLATFORM	
APPROVED: LUKE ASHWORTH	03/25/2020	TITLE	
WEIGHT: N/A lb		Osprey PowerPlatform Portrait 2x8, Strut - 60 Cell - HD	
GENERAL TOLERANCES:		MATERIAL: N/A	
DECIMALS	ANGULAR	SIZE	DWG NO
.X ± .1	∠ ± 1°	B	OSP-STRUT-60CELL-2X8 - HD
.XX ± .01		SCALE	REV
.XXX ± .005		1:40	02
			SHEET 9 OF 10

FOR STRUCTURAL ELEMENTS ONLY

(THERMAL EXPANSION GAP NEEDED CONNECTED TOGETHER)



DETAIL R
SCALE 1:5

**OSPREY
POWER PLATFORM 2**

**OSPREY
POWERPLATFORM 1**

STAMP & SIGNATURE:
ENGINEERED POWER SOLUTIONS
1405 Spring Street, Suite 204
Paso Robles, CA 93446



PROPRIETARY AND CONFIDENTIAL: THE INFORMATION CONTAINED HEREIN IS THE SOLE PROPERTY OF NUANCE ENERGY GROUP, INC. ANY REPRODUCTION IN PART OR WHOLE WITHOUT WRITTEN PERMISSION IS PROHIBITED. (C) COPYRIGHT 2013.

MACHINED FILLET RADII 0.38-1.27 [.015-.050].
BREAK ALL SHARP EDGES 0.2-0.8 [.01-.03] RADII OR 45°. SURFACE FINISH IN MICRO (P) INCHES (Ra). INTERPRET DRAWING PER ASME Y14.5, ASME Y14.36, AND AWS A2.4 STANDARDS.

DRAW: RODOLFO PEREIRA	03/25/2020	OSPREY POWERPLATFORM	
APPROVED: LUKE ASHWORTH	03/25/2020	TITLE	
WEIGHT: N/A lb		Osprey PowerPlatform Portrait 2x8, Strut - 60 Cell - HD	
GENERAL TOLERANCES:		MATERIAL: N/A	
DECIMALS	ANGULAR	SIZE	DWG NO
.X ± .1	∠ ± 1°	B	OSP-STRUT-60CELL-2X8 - HD
.XX ± .01		SCALE	REV
.XXX ± .005		1:40	02
			SHEET 10 OF 10

FOR STRUCTURAL ELEMENTS ONLY