

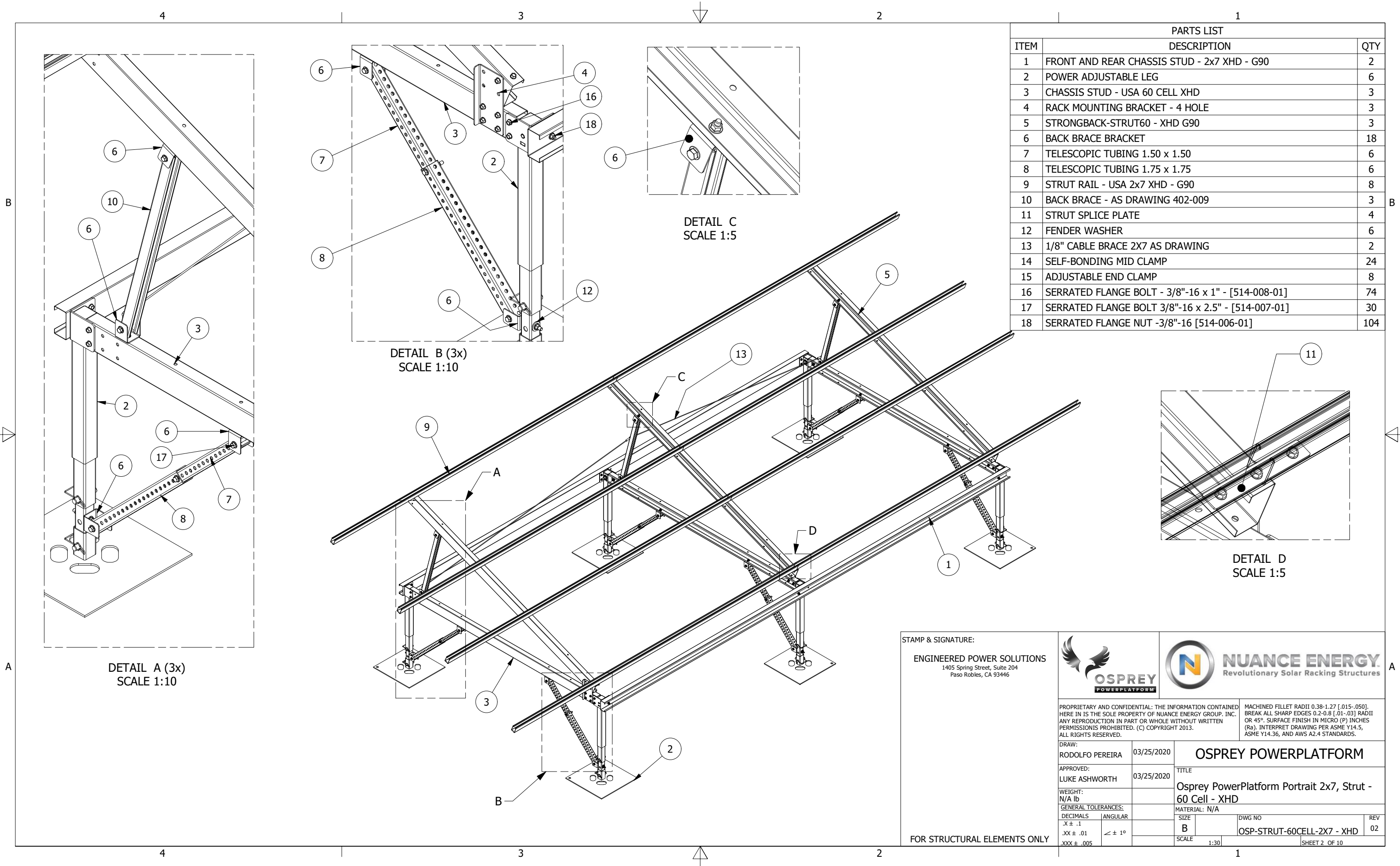
STAMP & SIGNATURE:
ENGINEERED POWER SOLUTIONS
 1405 Spring Street, Suite 204
 Paso Robles, CA 93446



PROPRIETARY AND CONFIDENTIAL: THE INFORMATION CONTAINED HEREIN IS THE SOLE PROPERTY OF NUANCE ENERGY GROUP, INC. ANY REPRODUCTION IN PART OR WHOLE WITHOUT WRITTEN PERMISSION IS PROHIBITED. (C) COPYRIGHT 2013.
 MACHINED FILLET RADII 0.38-1.27 [.015-.050]. BREAK ALL SHARP EDGES 0.2-0.8 [.01-.03] RADII OR 45°. SURFACE FINISH IN MICRO (P) INCHES (Ra). INTERPRET DRAWING PER ASME Y14.5, ASME Y14.36, AND AWS A2.4 STANDARDS.

DRAW: RODOLFO PEREIRA	03/25/2020	OSPREY POWERPLATFORM	
APPROVED: LUKE ASHWORTH	03/25/2020	TITLE Osprey PowerPlatform Portrait 2x7, Strut - 60 Cell - XHD	
WEIGHT: N/A lb		MATERIAL: N/A	
GENERAL TOLERANCES:		SIZE	DWG NO
DECIMALS	ANGULAR	B	OSP-STRUT-60CELL-2X7 - XHD
.X ± .1	∠ ± 1°	SCALE	REV 02
.XX ± .01		1:30	
.XXX ± .005			SHEET 1 OF 10

FOR STRUCTURAL ELEMENTS ONLY



PARTS LIST		
ITEM	DESCRIPTION	QTY
1	FRONT AND REAR CHASSIS STUD - 2x7 XHD - G90	2
2	POWER ADJUSTABLE LEG	6
3	CHASSIS STUD - USA 60 CELL XHD	3
4	RACK MOUNTING BRACKET - 4 HOLE	3
5	STRONGBACK-STRUT60 - XHD G90	3
6	BACK BRACE BRACKET	18
7	TELESCOPIC TUBING 1.50 x 1.50	6
8	TELESCOPIC TUBING 1.75 x 1.75	6
9	STRUT RAIL - USA 2x7 XHD - G90	8
10	BACK BRACE - AS DRAWING 402-009	3
11	STRUT SPLICE PLATE	4
12	FENDER WASHER	6
13	1/8" CABLE BRACE 2X7 AS DRAWING	2
14	SELF-BONDING MID CLAMP	24
15	ADJUSTABLE END CLAMP	8
16	SERRATED FLANGE BOLT - 3/8"-16 x 1" - [514-008-01]	74
17	SERRATED FLANGE BOLT 3/8"-16 x 2.5" - [514-007-01]	30
18	SERRATED FLANGE NUT -3/8"-16 [514-006-01]	104

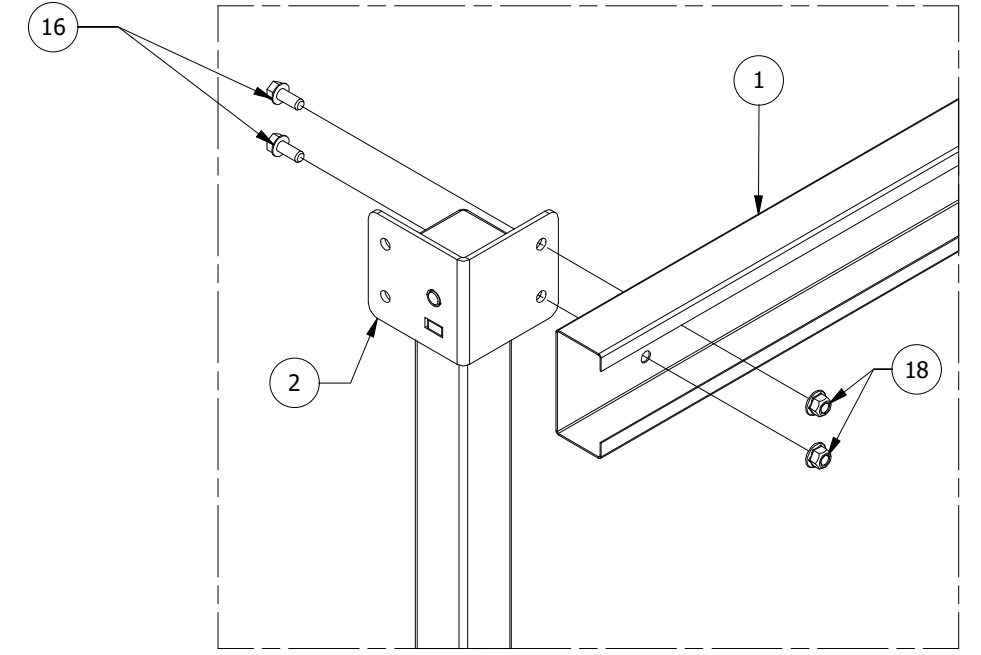
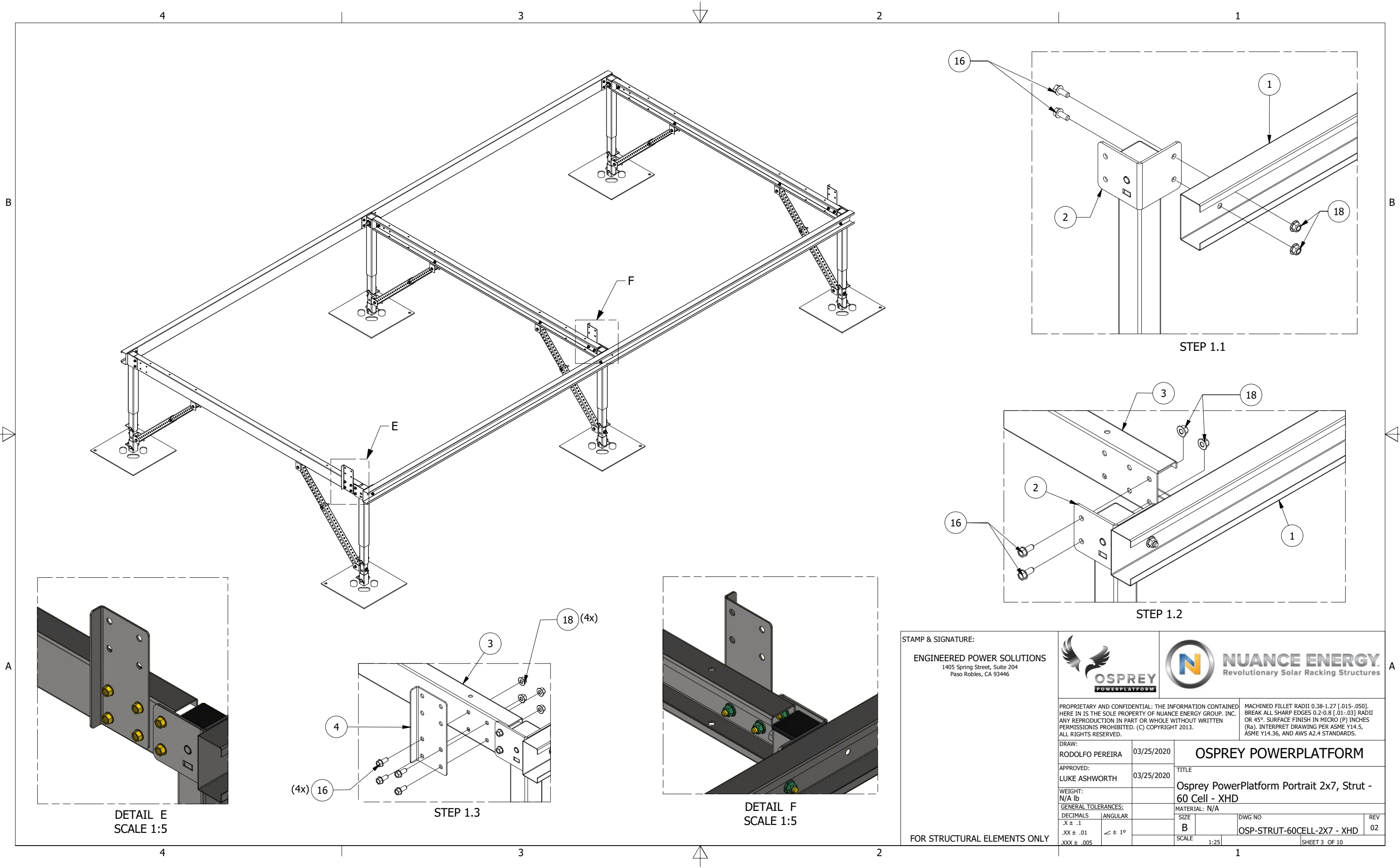
STAMP & SIGNATURE:
ENGINEERED POWER SOLUTIONS
 1405 Spring Street, Suite 204
 Paso Robles, CA 93446



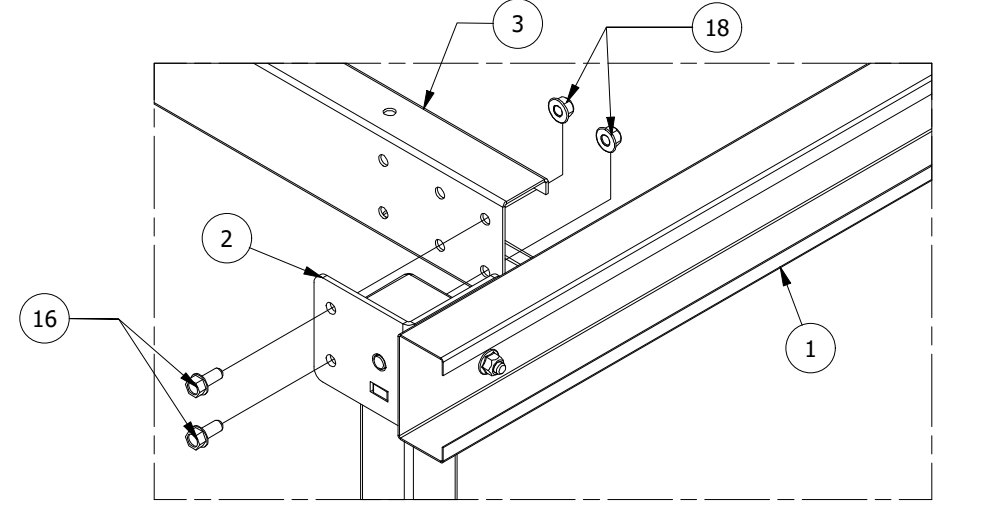
PROPRIETARY AND CONFIDENTIAL: THE INFORMATION CONTAINED HEREIN IS THE SOLE PROPERTY OF NUANCE ENERGY GROUP, INC. ANY REPRODUCTION IN PART OR WHOLE WITHOUT WRITTEN PERMISSION IS PROHIBITED. (C) COPYRIGHT 2013.
 MACHINED FILLET RADIUS 0.38-1.27 [.015-.050]. BREAK ALL SHARP EDGES 0.2-0.8 [.01-.03] RADIUS OR 45°. SURFACE FINISH IN MICRO (P) INCHES (Ra). INTERPRET DRAWING PER ASME Y14.5, ASME Y14.36, AND AWS A2.4 STANDARDS.

DRAW: RODOLFO PEREIRA	03/25/2020	OSPREY POWERPLATFORM	
APPROVED: LUKE ASHWORTH	03/25/2020	TITLE Osprey PowerPlatform Portrait 2x7, Strut - 60 Cell - XHD	
WEIGHT: N/A lb		MATERIAL: N/A	
GENERAL TOLERANCES:		SIZE	DWG NO
DECIMALS	ANGULAR	B	OSP-STRUT-60CELL-2X7 - XHD
.X ± .1	∠ ± 1°	SCALE	REV 02
.XX ± .01		1:30	
.XXX ± .005			SHEET 2 OF 10

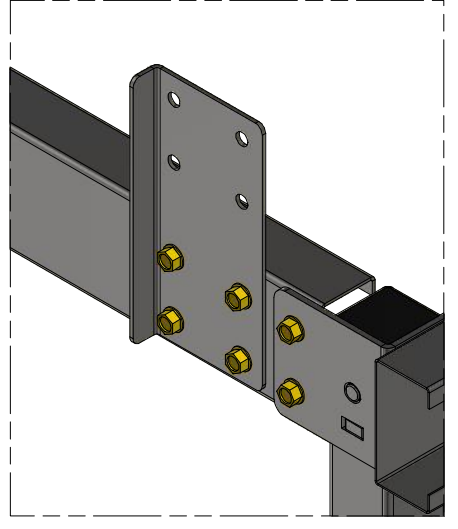
FOR STRUCTURAL ELEMENTS ONLY



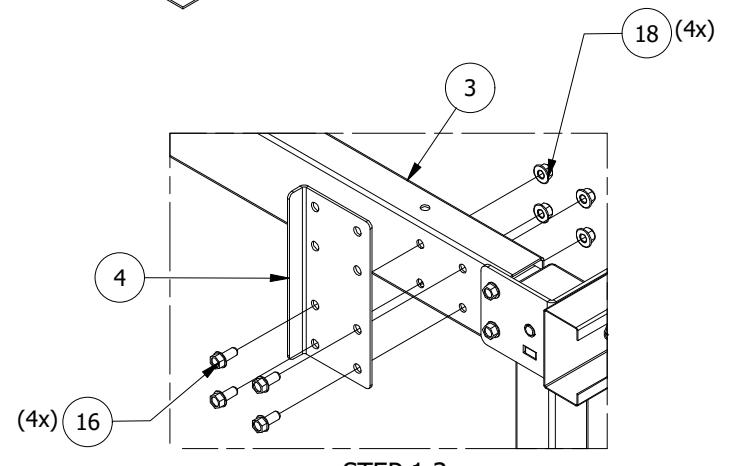
STEP 1.1



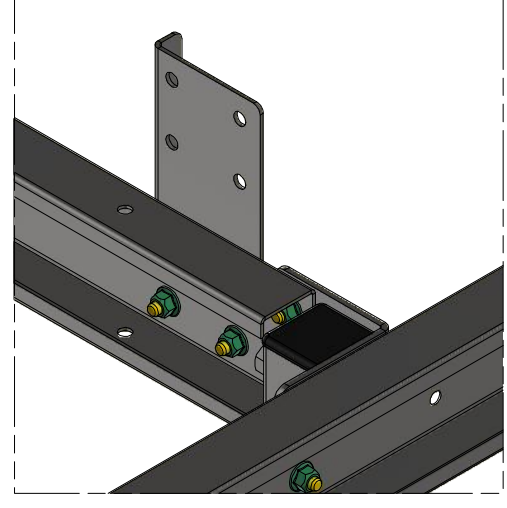
STEP 1.2



DETAIL E
SCALE 1:5



STEP 1.3



DETAIL F
SCALE 1:5

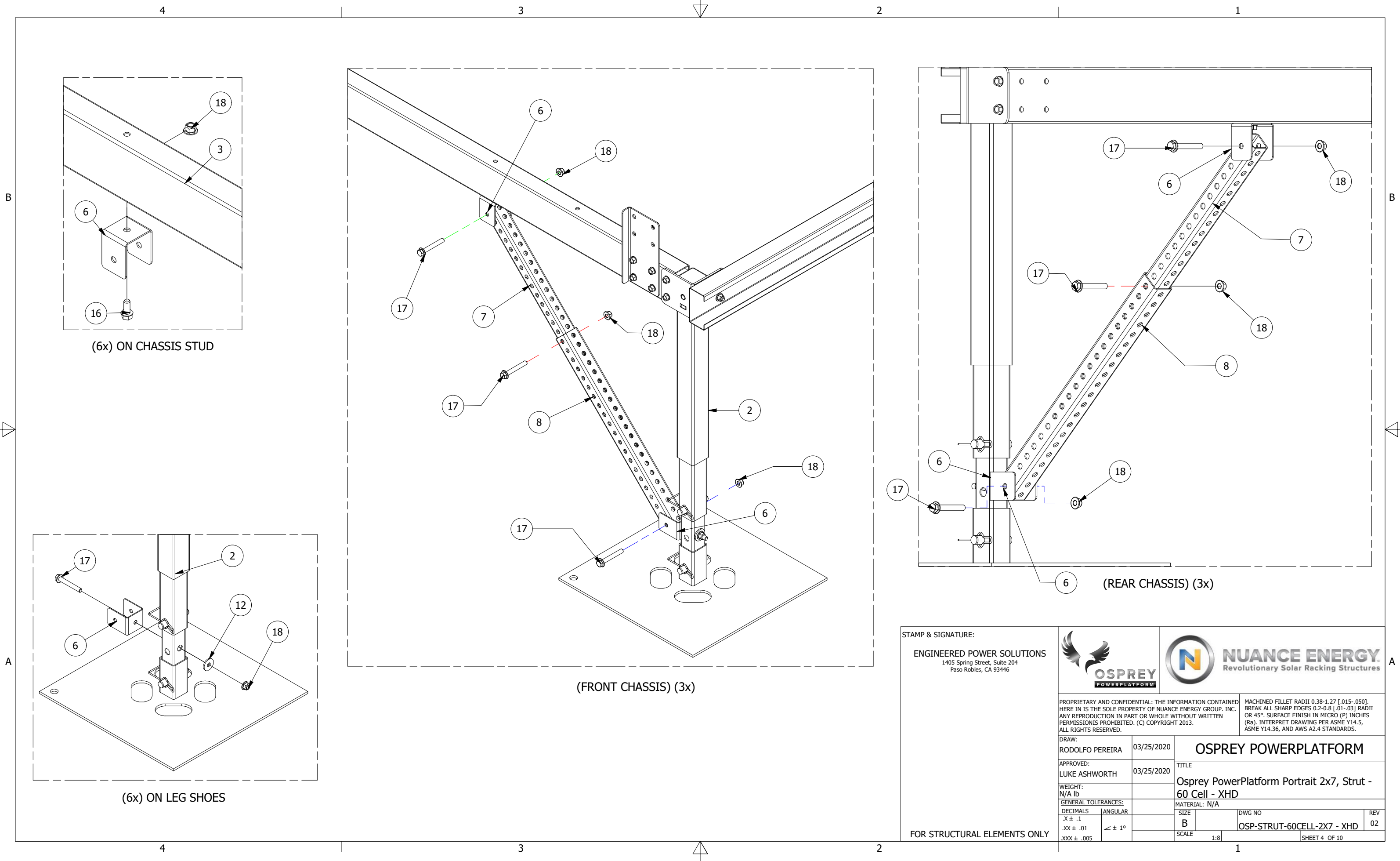
STAMP & SIGNATURE:
ENGINEERED POWER SOLUTIONS
1405 Spring Street, Suite 204
Paso Robles, CA 93446



PROPRIETARY AND CONFIDENTIAL: THE INFORMATION CONTAINED HEREIN IS THE SOLE PROPERTY OF NUANCE ENERGY GROUP, INC. ANY REPRODUCTION IN PART OR WHOLE WITHOUT WRITTEN PERMISSION IS PROHIBITED. (C) COPYRIGHT 2013.
MACHINED FILLET RADII 0.38-1.27 [.015-.050]. BREAK ALL SHARP EDGES 0.2-0.8 [.01-.03] RADII OR 45°. SURFACE FINISH IN MICRO (P) INCHES (Ra). INTERPRET DRAWING PER ASME Y14.5, ASME Y14.36, AND AWS A2.4 STANDARDS.

DRAW: RODOLFO PEREIRA		03/25/2020		OSPREY POWERPLATFORM	
APPROVED: LUKE ASHWORTH		03/25/2020			
WEIGHT: N/A lb				TITLE Osprey PowerPlatform Portrait 2x7, Strut - 60 Cell - XHD	
GENERAL TOLERANCES:				MATERIAL: N/A	
DECIMALS	ANGULAR	SIZE	DWG NO	REV	
.X ± .1	∠ ± 1°	B	OSP-STRUT-60CELL-2X7 - XHD	02	
.XX ± .01		SCALE	1:25	SHEET 3 OF 10	
.XXX ± .005					

FOR STRUCTURAL ELEMENTS ONLY



(6x) ON CHASSIS STUD

(FRONT CHASSIS) (3x)

(REAR CHASSIS) (3x)

(6x) ON LEG SHOES

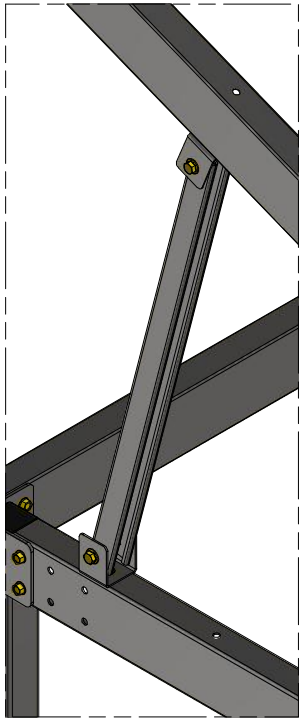
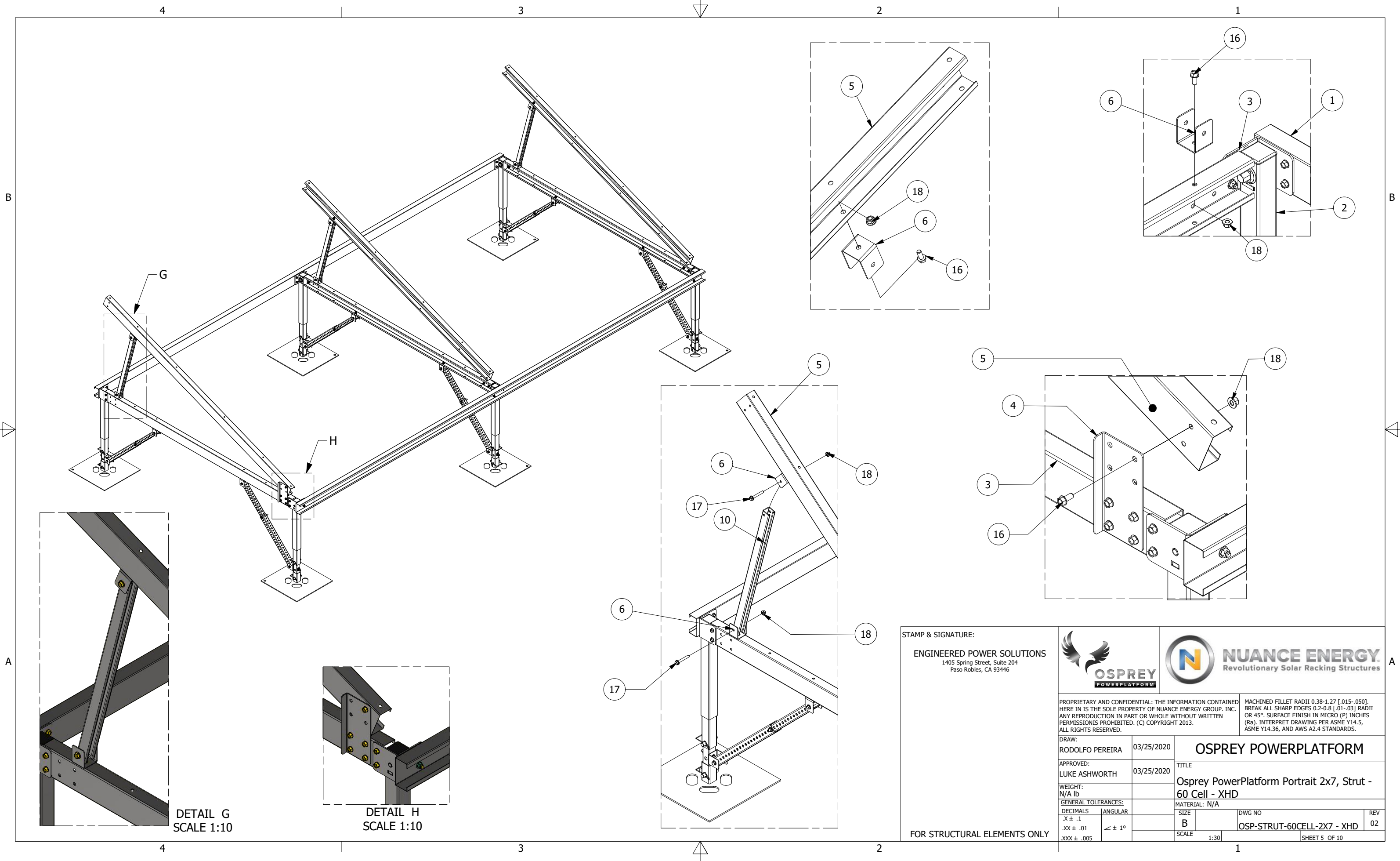
STAMP & SIGNATURE:
ENGINEERED POWER SOLUTIONS
 1405 Spring Street, Suite 204
 Paso Robles, CA 93446



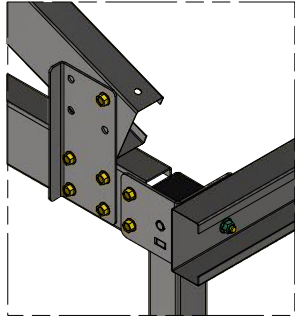
PROPRIETARY AND CONFIDENTIAL: THE INFORMATION CONTAINED HEREIN IS THE SOLE PROPERTY OF NUANCE ENERGY GROUP, INC. ANY REPRODUCTION IN PART OR WHOLE WITHOUT WRITTEN PERMISSION IS PROHIBITED. (C) COPYRIGHT 2013.
 MACHINED FILLET RADII 0.38-1.27 [.015-.050]. BREAK ALL SHARP EDGES 0.2-0.8 [.01-.03] RADII OR 45°. SURFACE FINISH IN MICRO (P) INCHES (Ra). INTERPRET DRAWING PER ASME Y14.5, ASME Y14.36, AND AWS A2.4 STANDARDS.

DRAW: RODOLFO PEREIRA	03/25/2020	OSPREY POWERPLATFORM	
APPROVED: LUKE ASHWORTH	03/25/2020	TITLE Osprey PowerPlatform Portrait 2x7, Strut - 60 Cell - XHD	
WEIGHT: N/A lb		MATERIAL: N/A	
GENERAL TOLERANCES:		SIZE B	DWG NO OSP-STRUT-60CELL-2X7 - XHD
DECIMALS .X ± .1	ANGULAR ≤ ± 1°	SCALE 1:8	REV 02
.XX ± .01			
.XXX ± .005			SHEET 4 OF 10

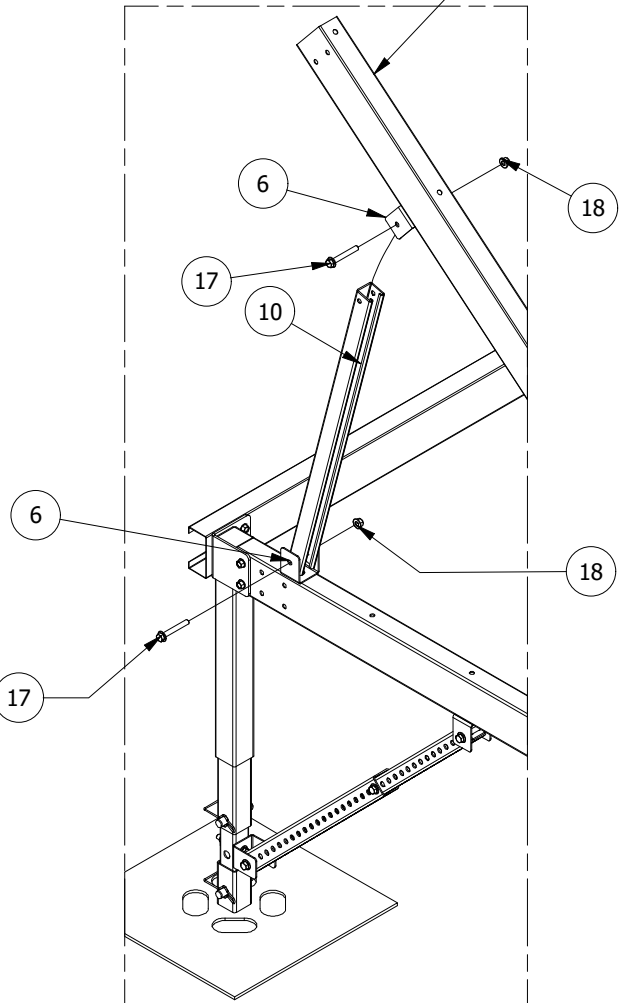
FOR STRUCTURAL ELEMENTS ONLY



DETAIL G
SCALE 1:10



DETAIL H
SCALE 1:10



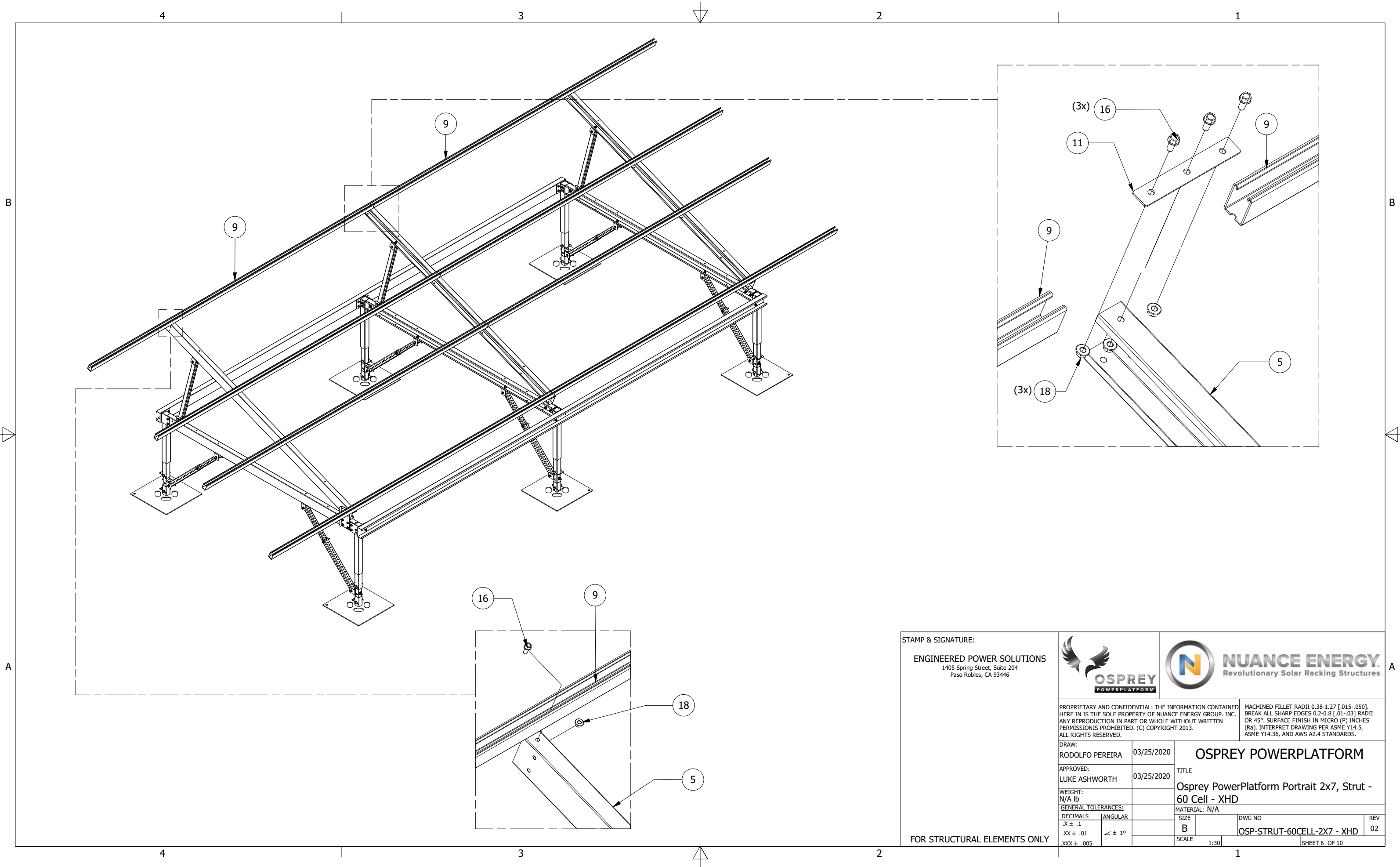
STAMP & SIGNATURE:
ENGINEERED POWER SOLUTIONS
 1405 Spring Street, Suite 204
 Paso Robles, CA 93446



PROPRIETARY AND CONFIDENTIAL: THE INFORMATION CONTAINED HEREIN IS THE SOLE PROPERTY OF NUANCE ENERGY GROUP, INC. ANY REPRODUCTION IN PART OR WHOLE WITHOUT WRITTEN PERMISSION IS PROHIBITED. (C) COPYRIGHT 2013.
 MACHINED FILLET RADII 0.38-1.27 [.015-.050]. BREAK ALL SHARP EDGES 0.2-0.8 [.01-.03] RADII OR 45°. SURFACE FINISH IN MICRO (P) INCHES (Ra). INTERPRET DRAWING PER ASME Y14.5, ASME Y14.36, AND AWS A2.4 STANDARDS.

DRAW: RODOLFO PEREIRA	03/25/2020	OSPREY POWERPLATFORM	
APPROVED: LUKE ASHWORTH	03/25/2020	TITLE Osprey PowerPlatform Portrait 2x7, Strut - 60 Cell - XHD	
WEIGHT: N/A lb		MATERIAL: N/A	
GENERAL TOLERANCES:		SIZE B	DWG NO OSP-STRUT-60CELL-2X7 - XHD
DECIMALS .X ± .1	ANGULAR ∠ ± 1°	SCALE 1:30	REV 02
.XX ± .01			SHEET 5 OF 10
.XXX ± .005			

FOR STRUCTURAL ELEMENTS ONLY



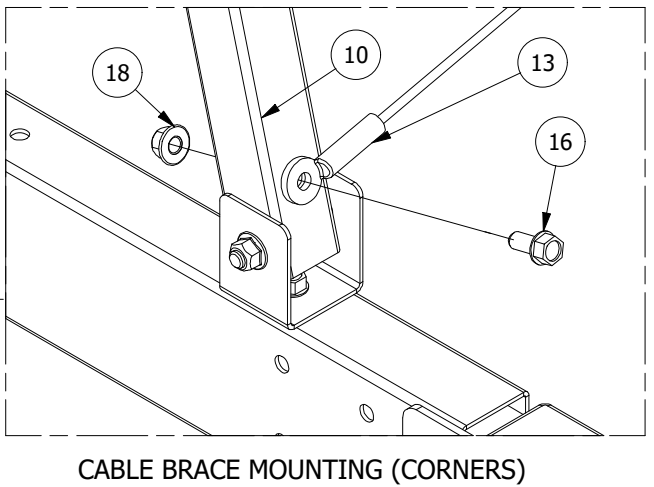
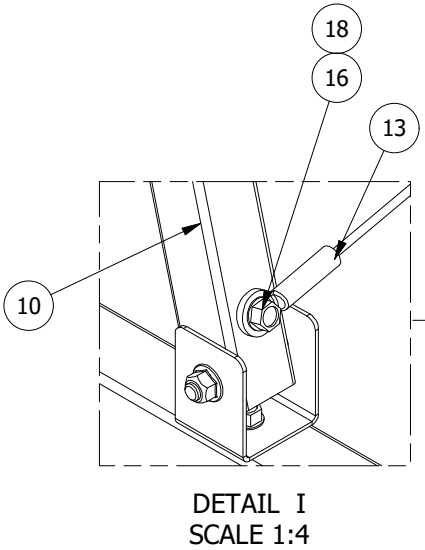
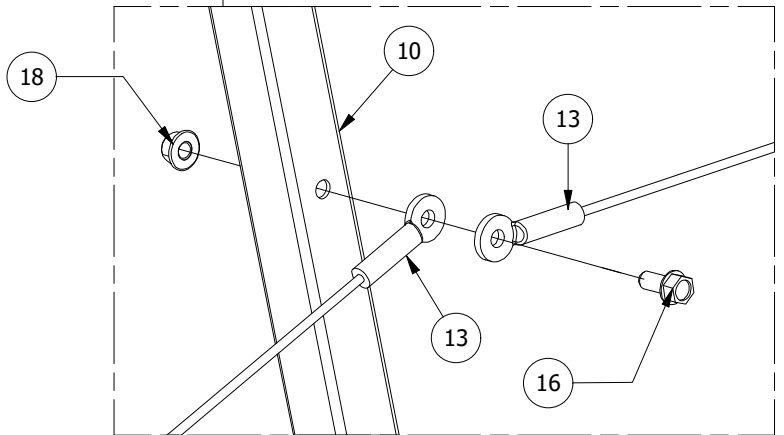
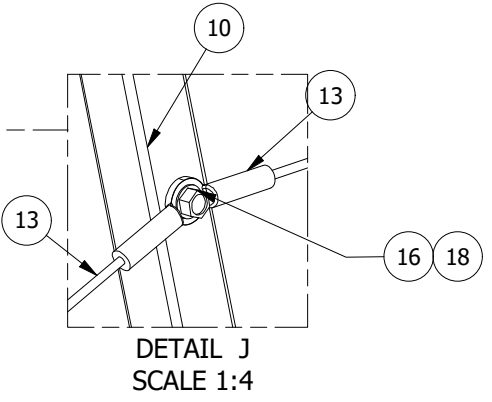
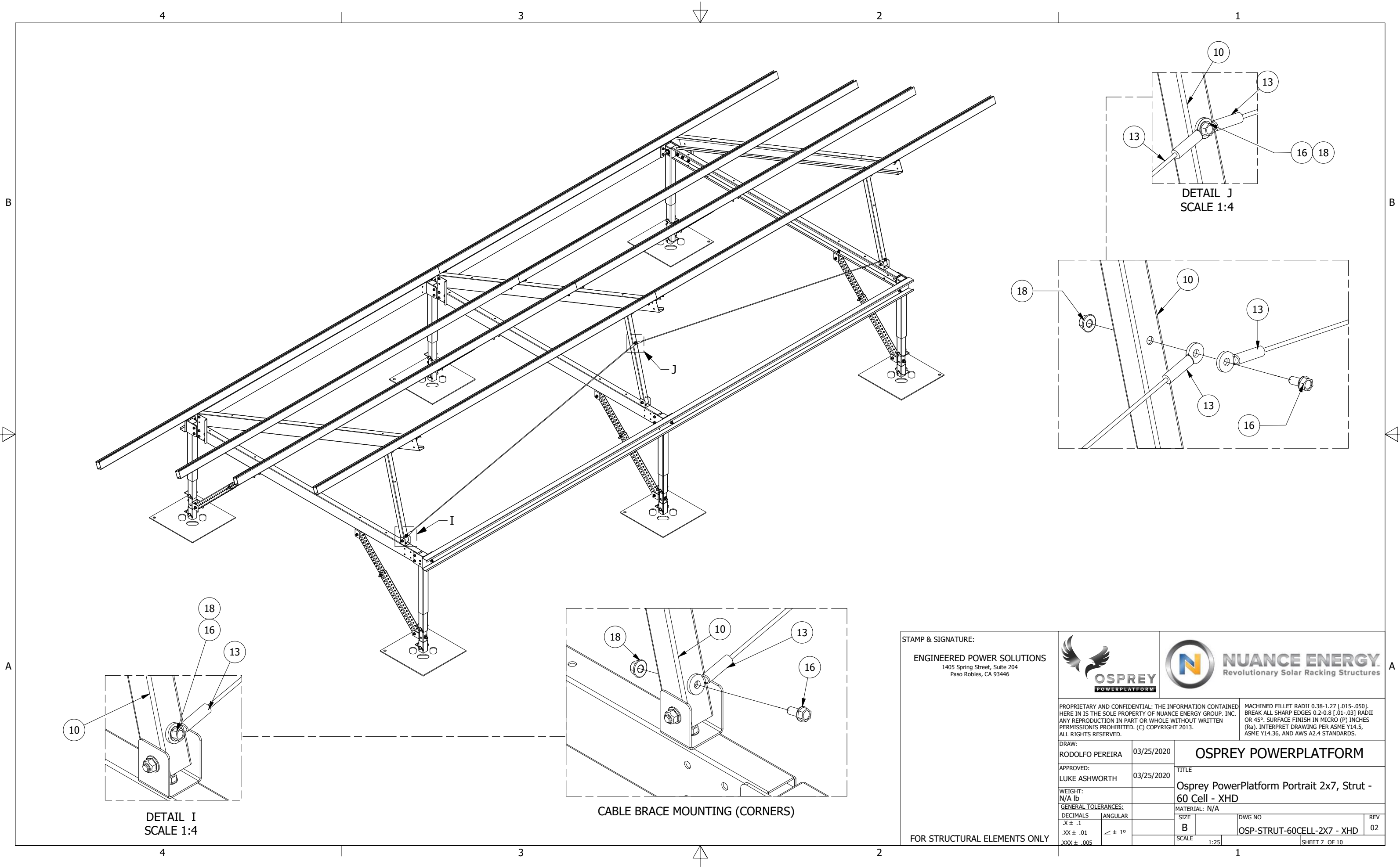
STAMP & SIGNATURE:
ENGINEERED POWER SOLUTIONS
 1405 Spring Street, Suite 204
 Paso Robles, CA 93446



PROPRIETARY AND CONFIDENTIAL: THE INFORMATION CONTAINED HEREIN IS THE SOLE PROPERTY OF NUANCE ENERGY GROUP, INC. ANY REPRODUCTION IN PART OR WHOLE WITHOUT WRITTEN PERMISSION IS PROHIBITED. (C) COPYRIGHT 2013.
 MACHINED FILLET RADII 0.38-1.27 [.015-.050].
 BREAK ALL SHARP EDGES 0.2-0.8 [.01-.03] RADII OR 45°. SURFACE FINISH IN MICRO (P) INCHES (Ra). INTERPRET DRAWING PER ASME Y14.5, ASME Y14.36, AND AWS A2.4 STANDARDS.

DRAW: RODOLFO PEREIRA	03/25/2020	OSPREY POWERPLATFORM	
APPROVED: LUKE ASHWORTH	03/25/2020	TITLE Osprey PowerPlatform Portrait 2x7, Strut - 60 Cell - XHD	
WEIGHT: N/A lb		MATERIAL: N/A	
GENERAL TOLERANCES:		SIZE	DWG NO
DECIMALS	ANGULAR	B	OSP-STRUT-60CELL-2X7 - XHD
.X ± .1	∠ ± 1°	SCALE	REV 02
.XX ± .01		1:30	
.XXX ± .005			SHEET 6 OF 10

FOR STRUCTURAL ELEMENTS ONLY



STAMP & SIGNATURE:
ENGINEERED POWER SOLUTIONS
1405 Spring Street, Suite 204
Paso Robles, CA 93446

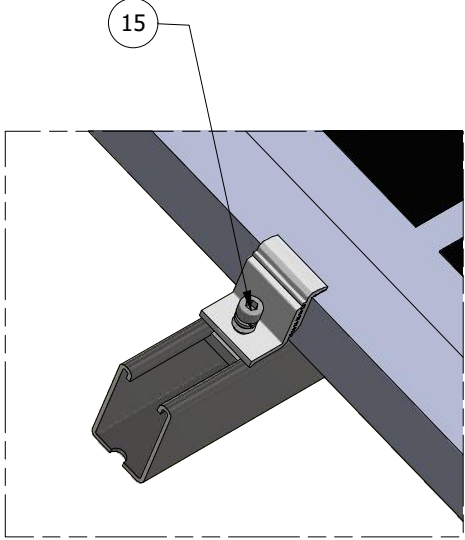
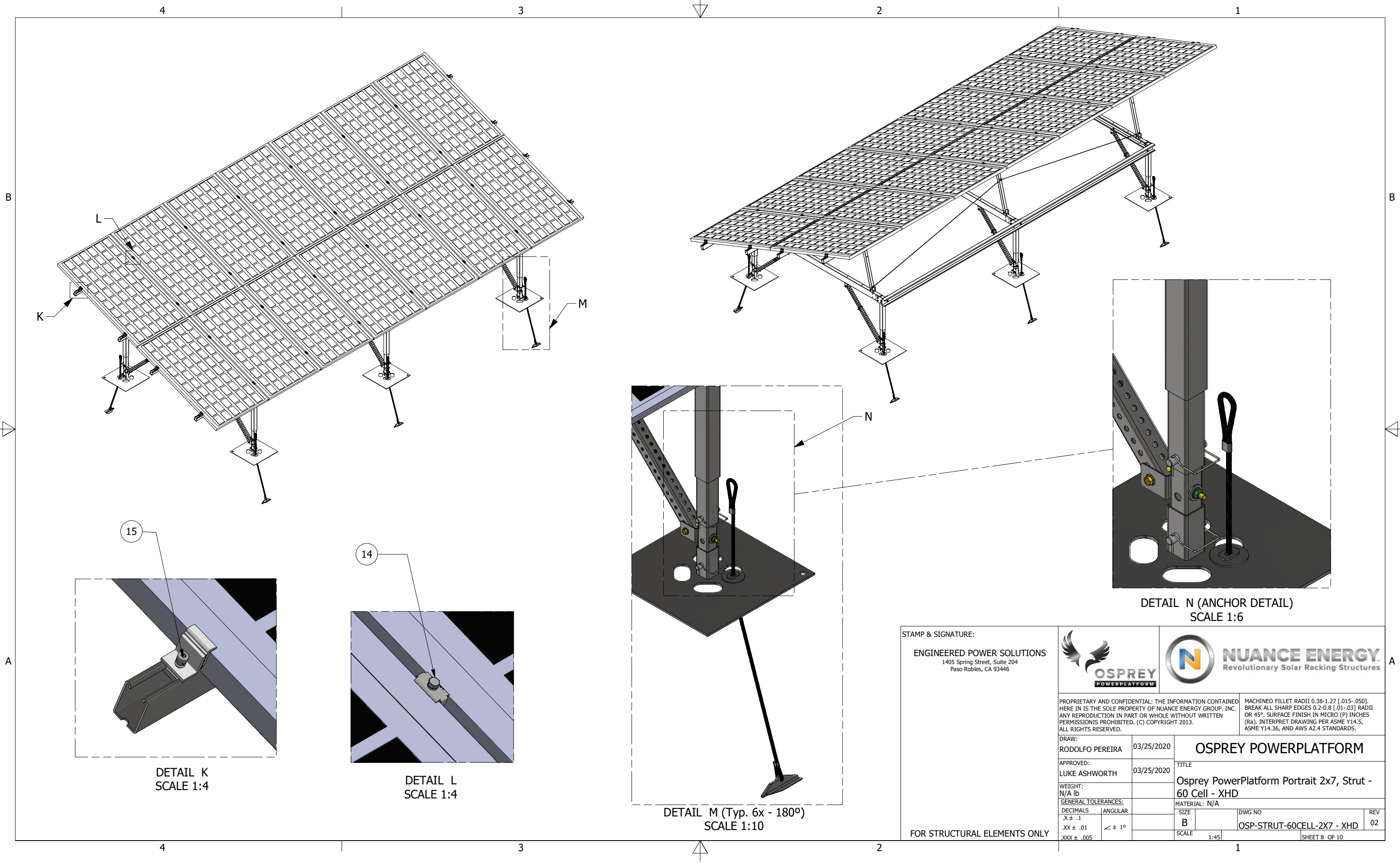


PROPRIETARY AND CONFIDENTIAL: THE INFORMATION CONTAINED HEREIN IS THE SOLE PROPERTY OF NUANCE ENERGY GROUP, INC. ANY REPRODUCTION IN PART OR WHOLE WITHOUT WRITTEN PERMISSION IS PROHIBITED. (C) COPYRIGHT 2013.

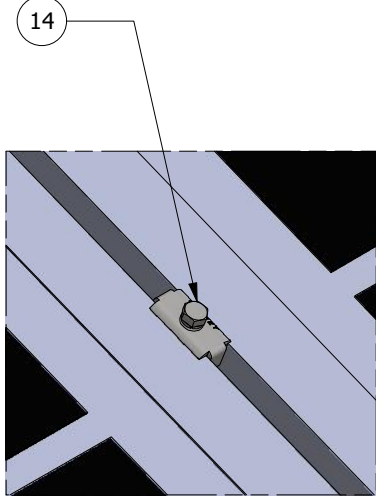
MACHINED FILLET RADII 0.38-1.27 [.015-.050].
BREAK ALL SHARP EDGES 0.2-0.8 [.01-.03] RADII OR 45°. SURFACE FINISH IN MICRO (P) INCHES (Ra). INTERPRET DRAWING PER ASME Y14.5, ASME Y14.36, AND AWS A2.4 STANDARDS.

DRAW: RODOLFO PEREIRA	03/25/2020	OSPREY POWERPLATFORM	
APPROVED: LUKE ASHWORTH	03/25/2020	TITLE Osprey PowerPlatform Portrait 2x7, Strut - 60 Cell - XHD	
WEIGHT: N/A lb		MATERIAL: N/A	
GENERAL TOLERANCES:		SIZE B	DWG NO OSP-STRUT-60CELL-2X7 - XHD
DECIMALS .X ± .1	ANGULAR ≤ ± 1°	SCALE 1:25	REV 02
.XX ± .01			
.XXX ± .005			SHEET 7 OF 10

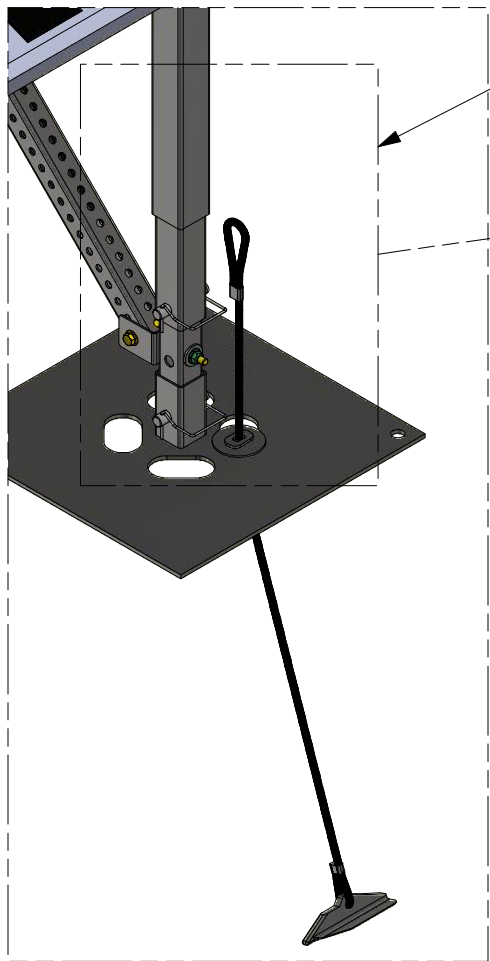
FOR STRUCTURAL ELEMENTS ONLY



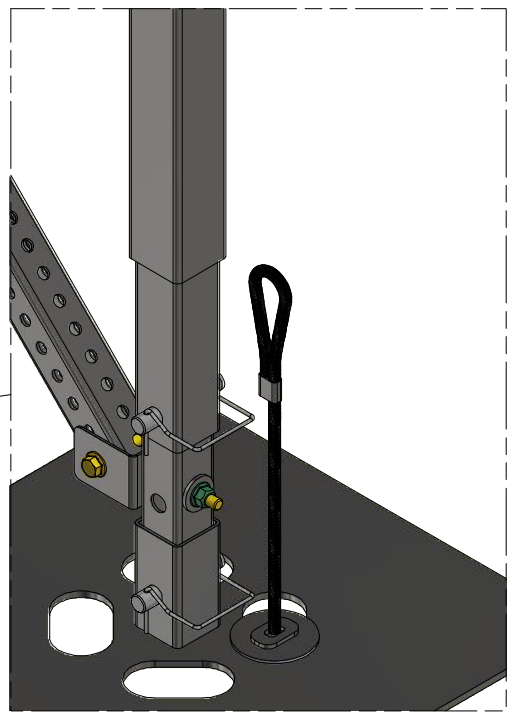
DETAIL K
SCALE 1:4



DETAIL L
SCALE 1:4



DETAIL M (Typ. 6x - 180°)
SCALE 1:10



DETAIL N (ANCHOR DETAIL)
SCALE 1:6

STAMP & SIGNATURE:
ENGINEERED POWER SOLUTIONS
1405 Spring Street, Suite 204
Paso Robles, CA 93446

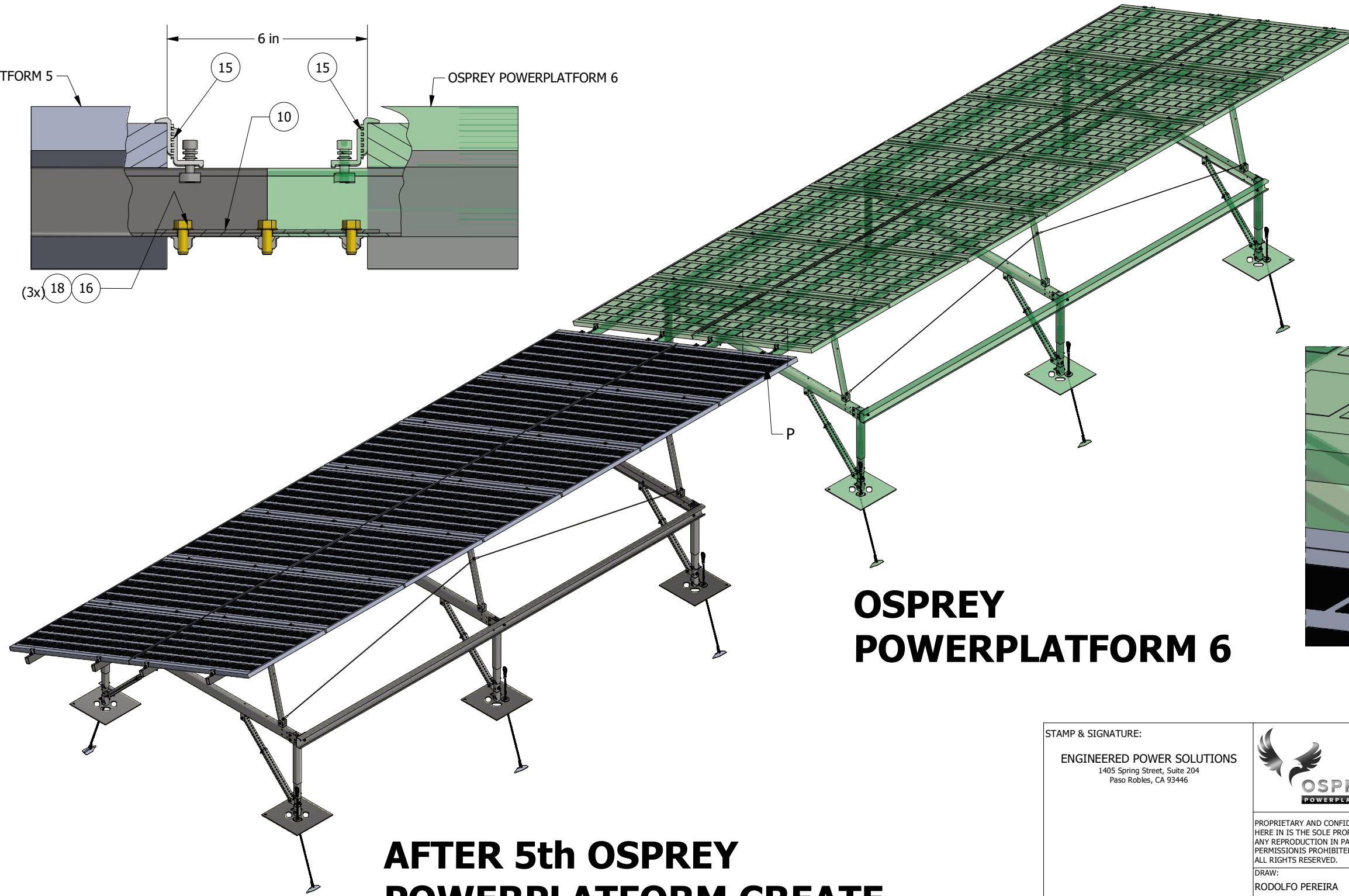
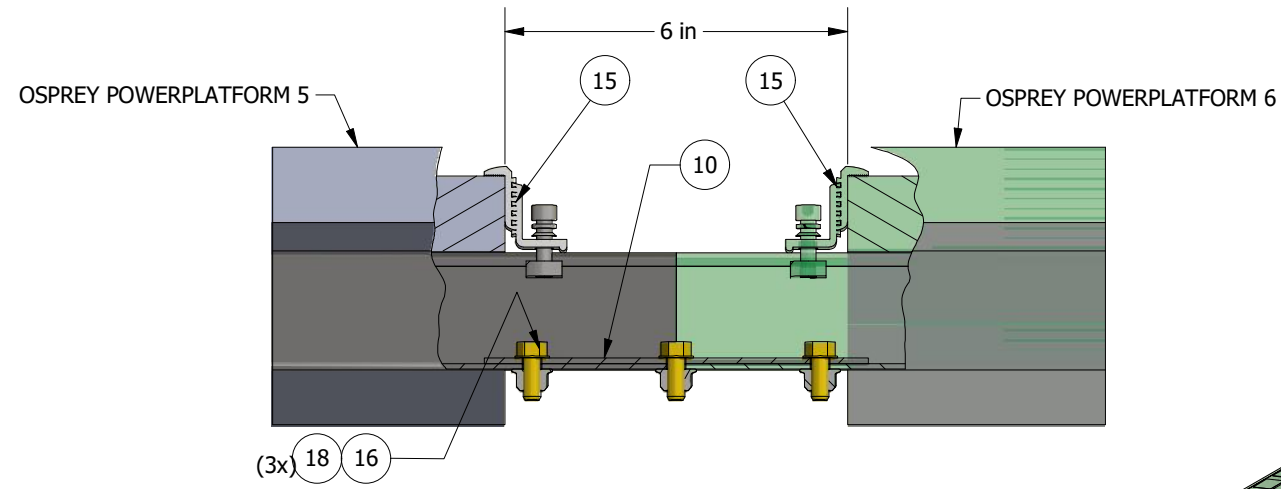


PROPRIETARY AND CONFIDENTIAL: THE INFORMATION CONTAINED HEREIN IS THE SOLE PROPERTY OF NUANCE ENERGY GROUP, INC. ANY REPRODUCTION IN PART OR WHOLE WITHOUT WRITTEN PERMISSION IS PROHIBITED. (C) COPYRIGHT 2013.
MACHINED FILLET RADII 0.38-1.27 [.015-.050]. BREAK ALL SHARP EDGES 0.2-0.8 [.01-.03] RADII OR 45°. SURFACE FINISH IN MICRO (P) INCHES (Ra). INTERPRET DRAWING PER ASME Y14.5, ASME Y14.36, AND AWS A2.4 STANDARDS.

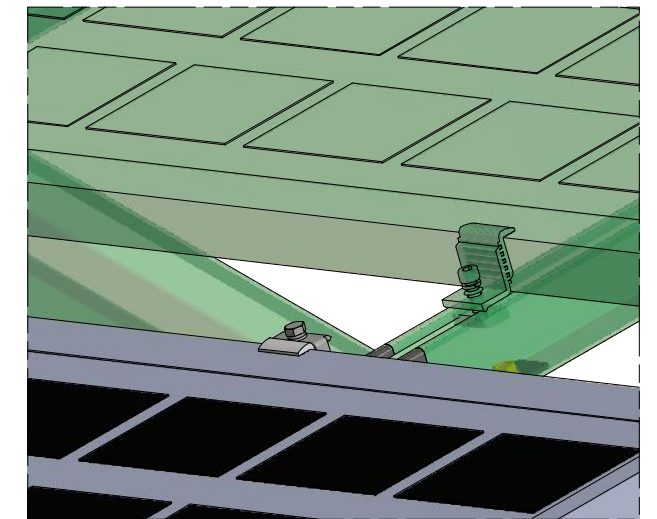
DRAW: RODOLFO PEREIRA	03/25/2020	OSPREY POWERPLATFORM	
APPROVED: LUKE ASHWORTH	03/25/2020	TITLE Osprey PowerPlatform Portrait 2x7, Strut - 60 Cell - XHD	
WEIGHT: N/A lb		MATERIAL: N/A	
GENERAL TOLERANCES:		SIZE B	DWG NO OSP-STRUT-60CELL-2X7 - XHD
DECIMALS .X ± .1	ANGULAR ≤ ± 1°	SCALE 1:45	REV 02
.XX ± .01			
.XXX ± .005			SHEET 8 OF 10

FOR STRUCTURAL ELEMENTS ONLY

(THERMAL EXPANSION GAP NEEDED AFTER 5 OSPREY CONNECTED TOGETHER)



OSPREY POWERPLATFORM 6



DETAIL P
SCALE 1:5

AFTER 5th OSPREY POWERPLATFORM CREATE EXPANSION GAP

STAMP & SIGNATURE:

ENGINEERED POWER SOLUTIONS
1405 Spring Street, Suite 204
Paso Robles, CA 93446

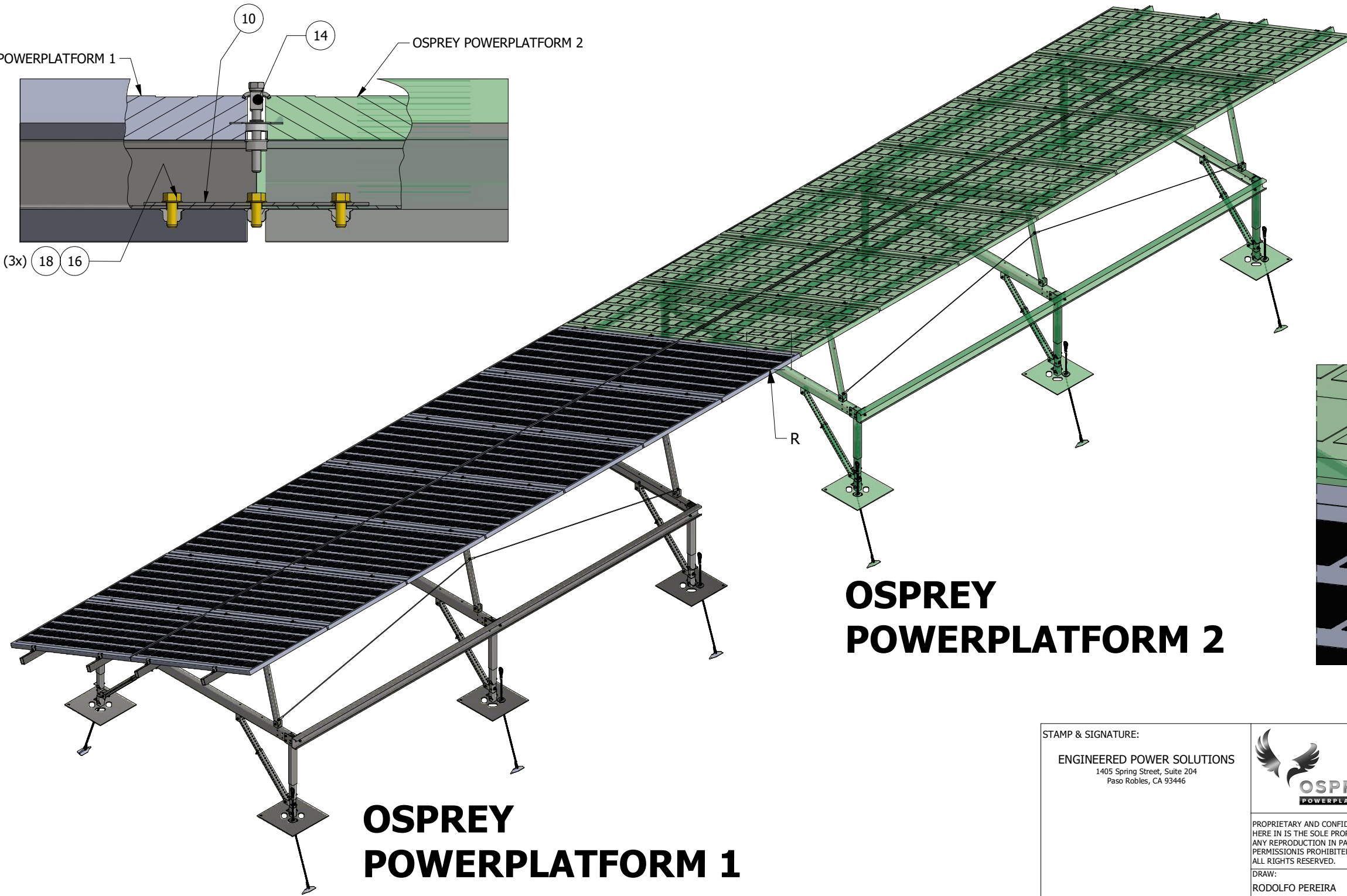
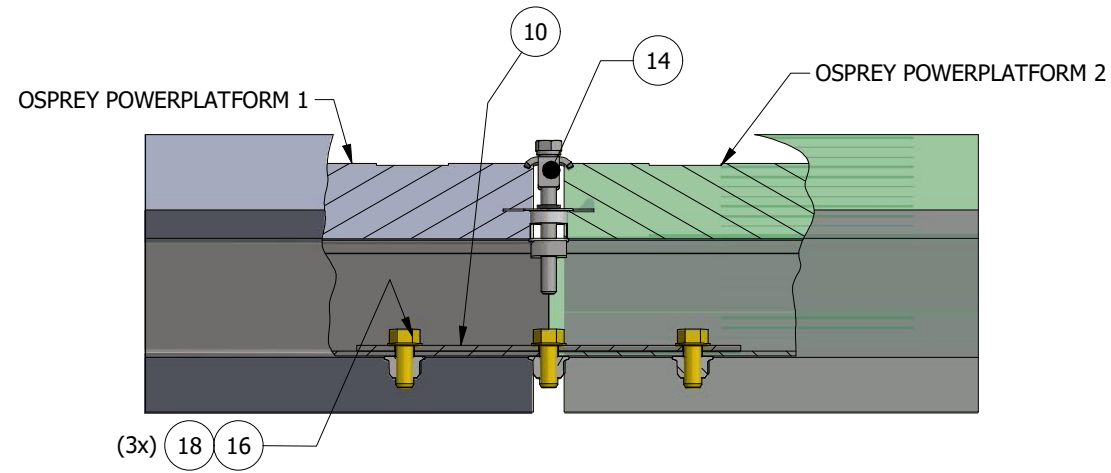


PROPRIETARY AND CONFIDENTIAL: THE INFORMATION CONTAINED HEREIN IS THE SOLE PROPERTY OF NUANCE ENERGY GROUP, INC. ANY REPRODUCTION IN PART OR WHOLE WITHOUT WRITTEN PERMISSION IS PROHIBITED. (C) COPYRIGHT 2013.

MACHINED FILLET RADII 0.38-1.27 [.015-.050]. BREAK ALL SHARP EDGES 0.2-0.8 [.01-.03] RADII OR 45°. SURFACE FINISH IN MICRO (P) INCHES (Ra). INTERPRET DRAWING PER ASME Y14.5, ASME Y14.36, AND AWS A2.4 STANDARDS.

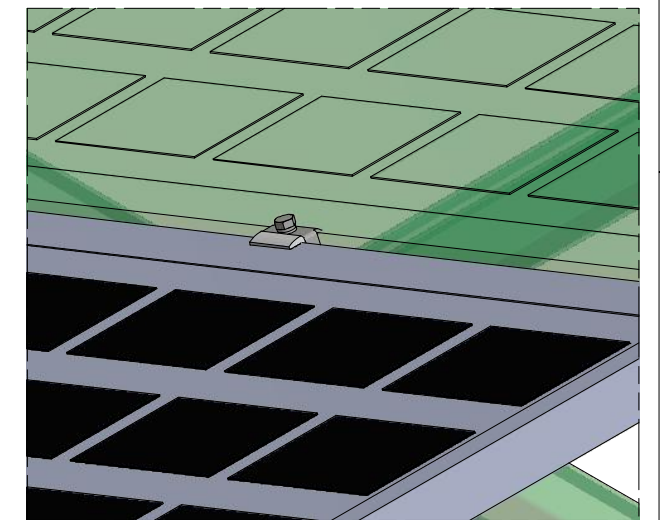
DRAW: RODOLFO PEREIRA	03/25/2020	OSPREY POWERPLATFORM	
APPROVED: LUKE ASHWORTH	03/25/2020	TITLE	
WEIGHT: N/A lb		Osprey PowerPlatform Portrait 2x7, Strut - 60 Cell - XHD	
GENERAL TOLERANCES:		MATERIAL: N/A	
DECIMALS	ANGULAR	SIZE	DWG NO
.X ± .1	∠ ± 1°	B	OSP-STRUT-60CELL-2X7 - XHD
.XX ± .01		SCALE	REV
.XXX ± .005		1:40	02
FOR STRUCTURAL ELEMENTS ONLY			SHEET 9 OF 10

(THERMAL EXPANSION GAP NEEDED CONNECTED TOGETHER)



**OSPREY
POWERPLATFORM 2**

**OSPREY
POWERPLATFORM 1**



DETAIL R
SCALE 1:5

STAMP & SIGNATURE:

ENGINEERED POWER SOLUTIONS
1405 Spring Street, Suite 204
Paso Robles, CA 93446



PROPRIETARY AND CONFIDENTIAL: THE INFORMATION CONTAINED HEREIN IS THE SOLE PROPERTY OF NUANCE ENERGY GROUP, INC. ANY REPRODUCTION IN PART OR WHOLE WITHOUT WRITTEN PERMISSION IS PROHIBITED. (C) COPYRIGHT 2013.

MACHINED FILLET RADII 0.38-1.27 [.015-.050].
BREAK ALL SHARP EDGES 0.2-0.8 [.01-.03] RADII
OR 45°. SURFACE FINISH IN MICRO (P) INCHES
(Ra). INTERPRET DRAWING PER ASME Y14.5,
ASME Y14.36, AND AWS A2.4 STANDARDS.

DRAW: RODOLFO PEREIRA	03/25/2020	OSPREY POWERPLATFORM	
APPROVED: LUKE ASHWORTH	03/25/2020	TITLE	
WEIGHT: N/A lb		Osprey PowerPlatform Portrait 2x7, Strut - 60 Cell - XHD	
GENERAL TOLERANCES:		MATERIAL: N/A	
DECIMALS	ANGULAR	SIZE	DWG NO
.X ± .1	∠ ± 1°	B	OSP-STRUT-60CELL-2X7 - XHD
.XX ± .01		SCALE	REV
.XXX ± .005		1:40	02
			SHEET 10 OF 10

FOR STRUCTURAL ELEMENTS ONLY