

STAMP & SIGNATURE:
ENGINEERED POWER SOLUTIONS
 1405 Spring Street, Suite 204
 Paso Robles, CA 93446

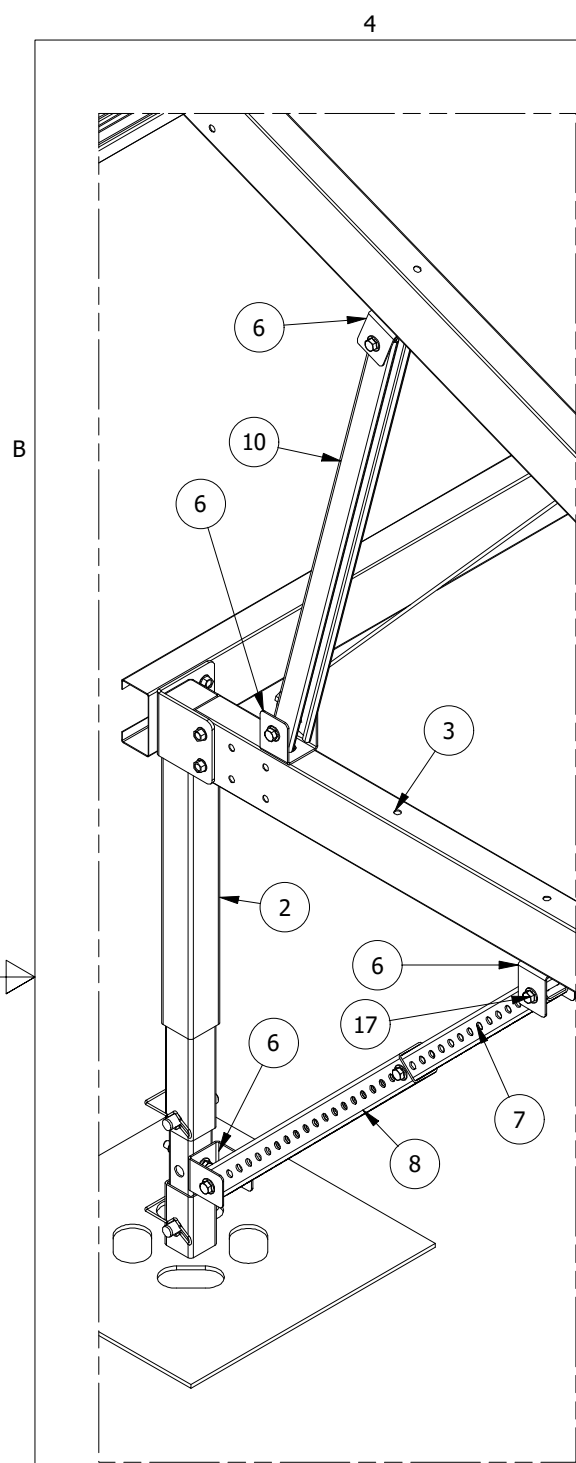


PROPRIETARY AND CONFIDENTIAL: THE INFORMATION CONTAINED HEREIN IS THE SOLE PROPERTY OF NUANCE ENERGY GROUP, INC. ANY REPRODUCTION IN PART OR WHOLE WITHOUT WRITTEN PERMISSION IS PROHIBITED. (C) COPYRIGHT 2013.

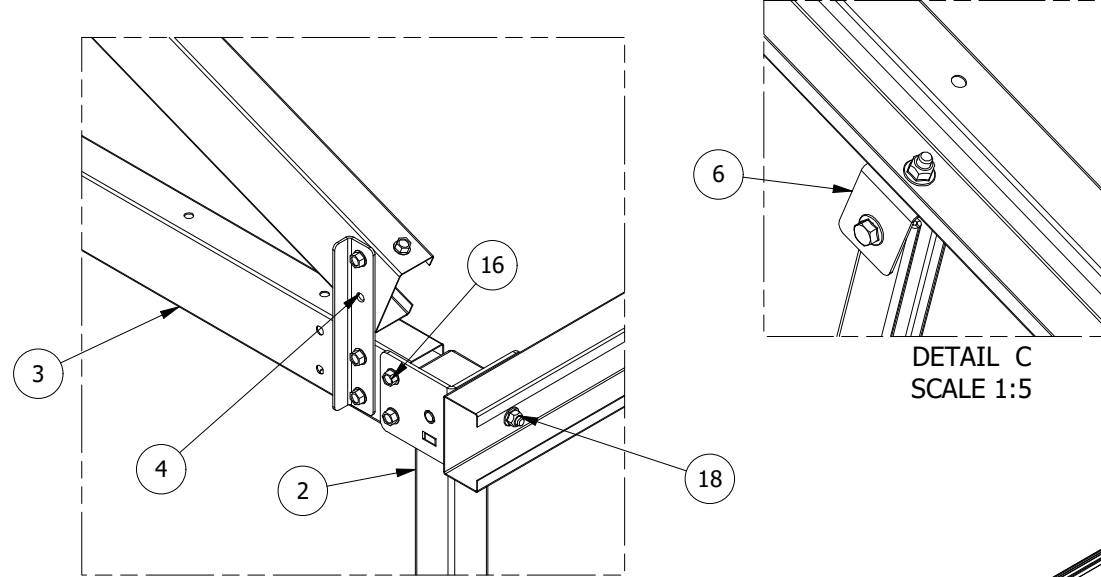
MACHINED FILLET RADII 0.38-1.27 [.015-.050].
 BREAK ALL SHARP EDGES 0.2-0.8 [.01-.03] RADII OR 45°. SURFACE FINISH IN MICRO (P) INCHES (Ra). INTERPRET DRAWING PER ASME Y14.5, ASME Y14.36, AND AWS A2.4 STANDARDS.

DRAW: RODOLFO PEREIRA	03/23/2020	OSPREY POWERPLATFORM	
APPROVED: LUKE ASHWORTH	03/23/2020	TITLE	
WEIGHT: N/A lb		Osprey PowerPlatform Portrait 2x7, Strut - 60 Cell - STD	
GENERAL TOLERANCES:		MATERIAL: N/A	
DECIMALS	ANGULAR	SIZE	DWG NO
.X ± .1	∠ ± 1°	B	OSP-STRUT-60CELL-2X7 - STD
.XX ± .01		SCALE	REV
.XXX ± .005		1:30	02
			SHEET 1 OF 10

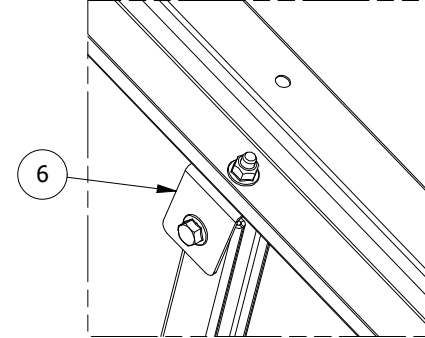
FOR STRUCTURAL ELEMENTS ONLY



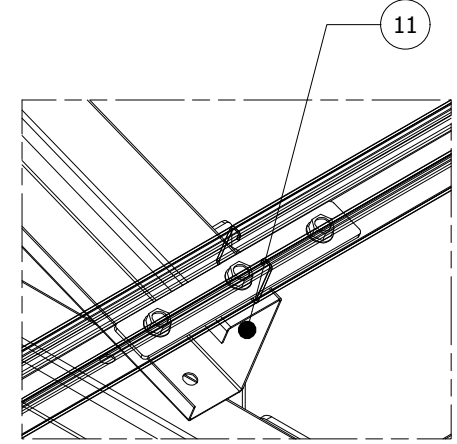
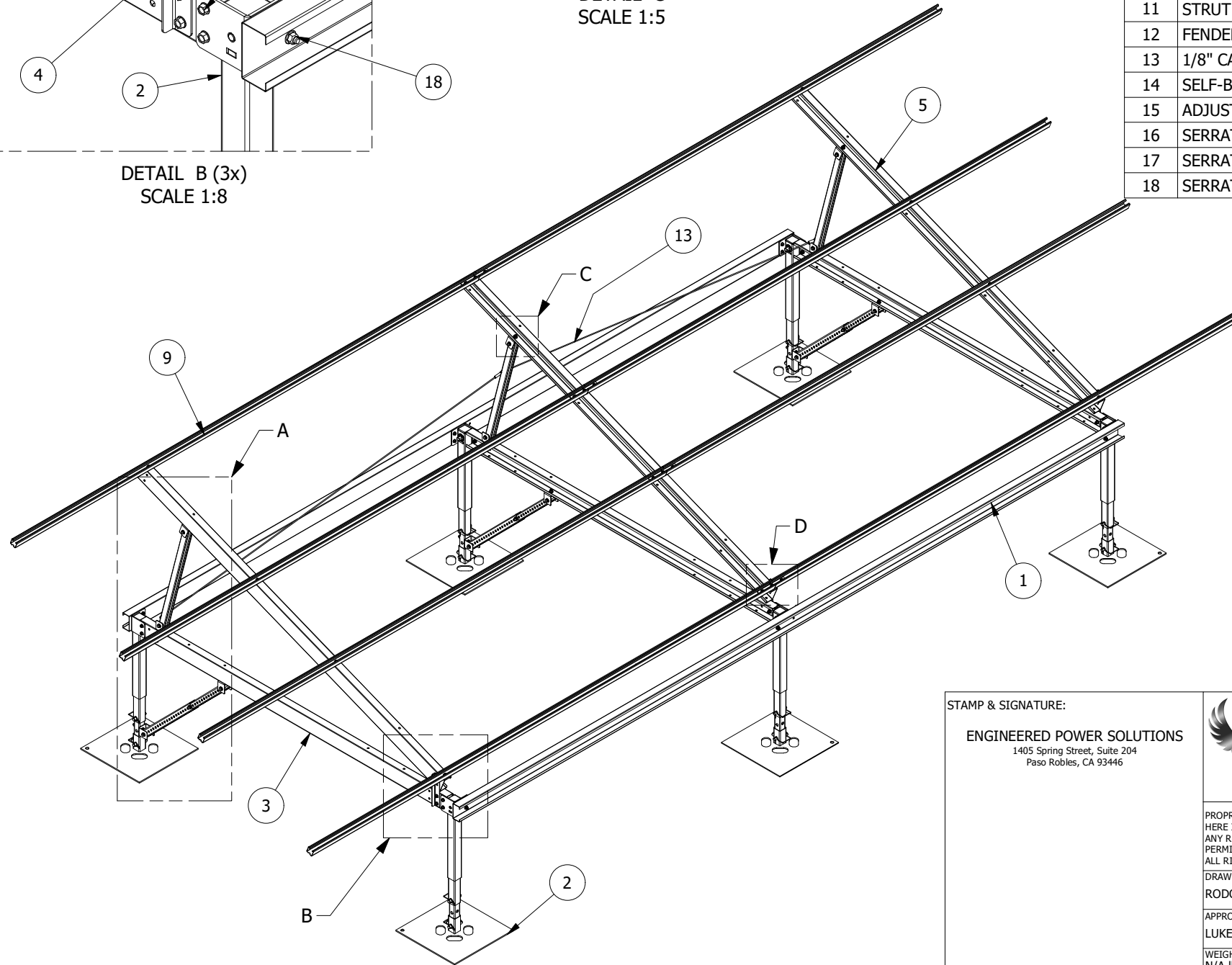
DETAIL A (3x)
SCALE 1:10



DETAIL B (3x)
SCALE 1:8



DETAIL C
SCALE 1:5



DETAIL D
SCALE 1:5

PARTS LIST		
ITEM	DESCRIPTION	QTY
1	FRONT AND REAR CHASSIS STUD - STRUT - 72-60 CELL - OSP - 2x7	2
2	POWER ADJUSTABLE LEG	6
3	CHASSIS STUD - USA 60 CELL STD - G90 2019-09-05	3
4	RACK MOUNTING BRACKET - 2 HOLE	3
5	-STRONGBACK-STRUT60	3
6	BACK BRACE BRACKET	12
7	TELESCOPIC TUBING 1.50 x 1.50	3
8	TELESCOPIC TUBING 1.75 x 1.75	3
9	STRUT RAIL 2x7 STD 1.63 x 1.63 14GA 80KSI	8
10	BACK BRACE - AS DRAWING 402-009	3
11	STRUT SPLICE PLATE	4
12	FENDER WASHER	3
13	1/8" CABLE BRACE 2X7 AS DRAWING	2
14	SELF-BONDING MID CLAMP	24
15	ADJUSTABLE END CLAMP	8
16	SERRATED FLANGE BOLT - 3/8"-16 x 1" - [514-008-01]	65
17	SERRATED FLANGE BOLT 3/8"-16 x 2.5" - [514-007-01]	18
18	SERRATED FLANGE NUT -3/8"-16 [514-006-01]	83

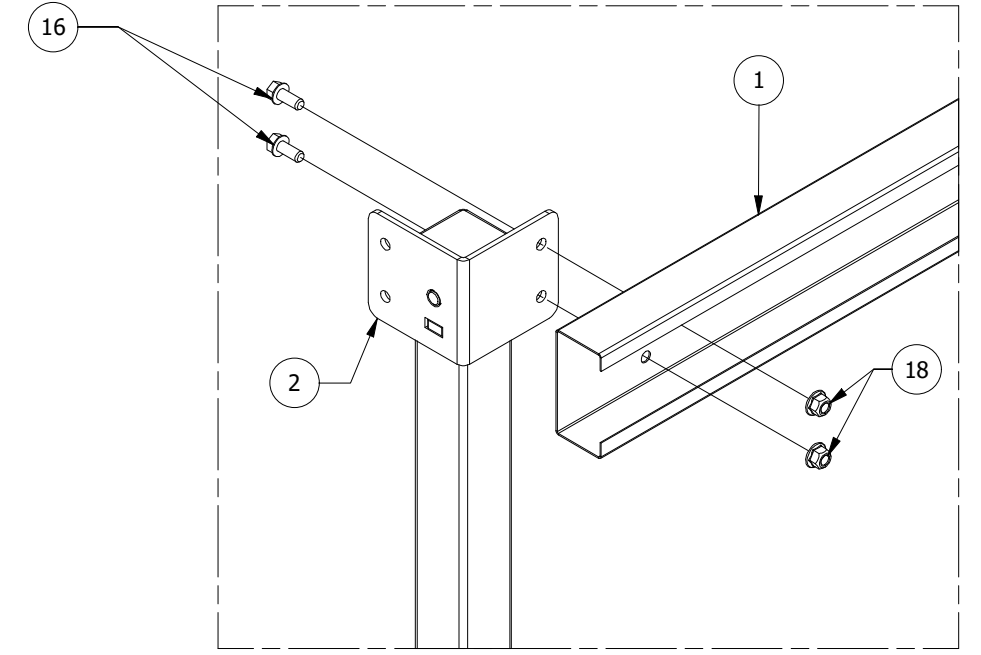
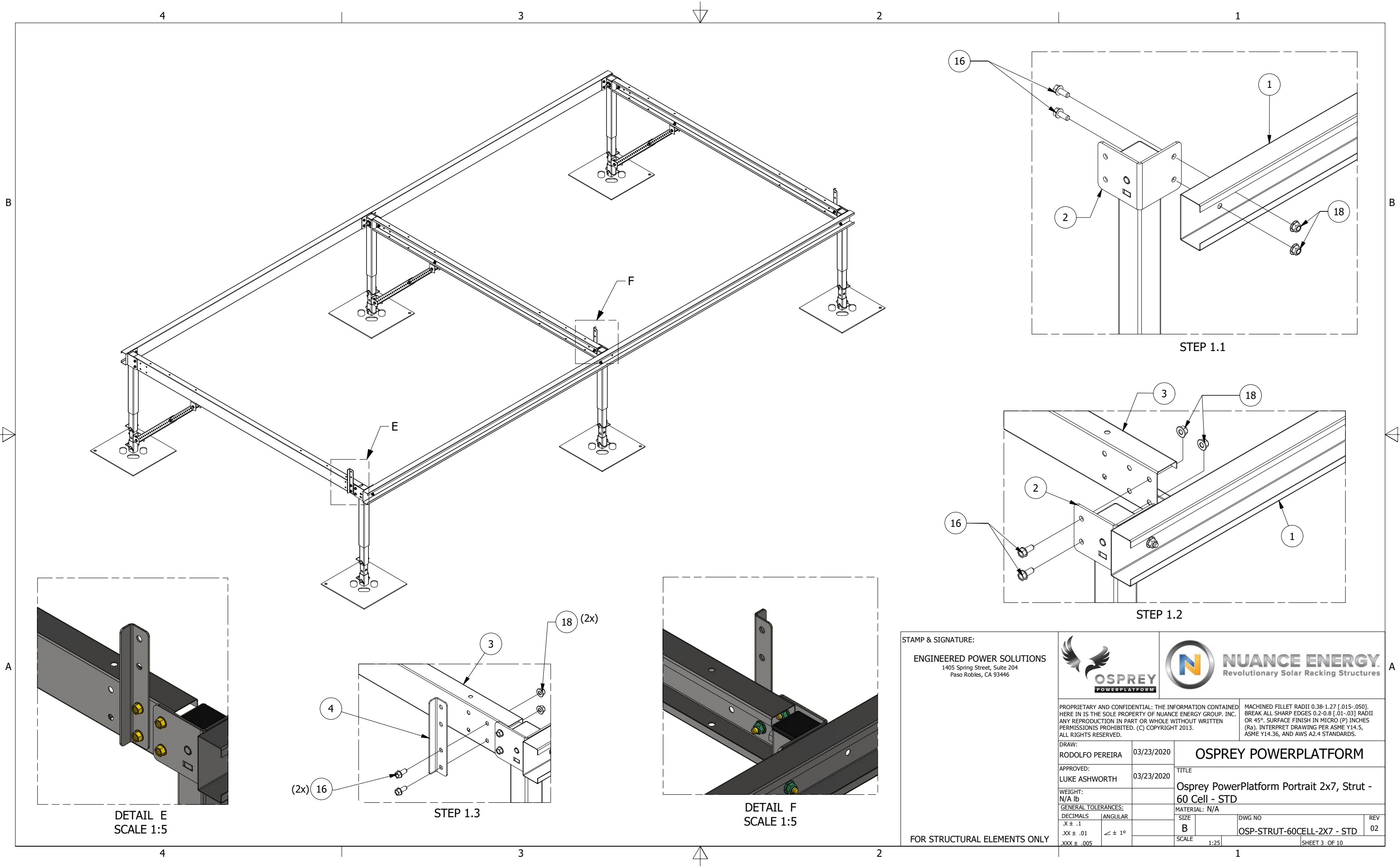
STAMP & SIGNATURE:
ENGINEERED POWER SOLUTIONS
1405 Spring Street, Suite 204
Paso Robles, CA 93446



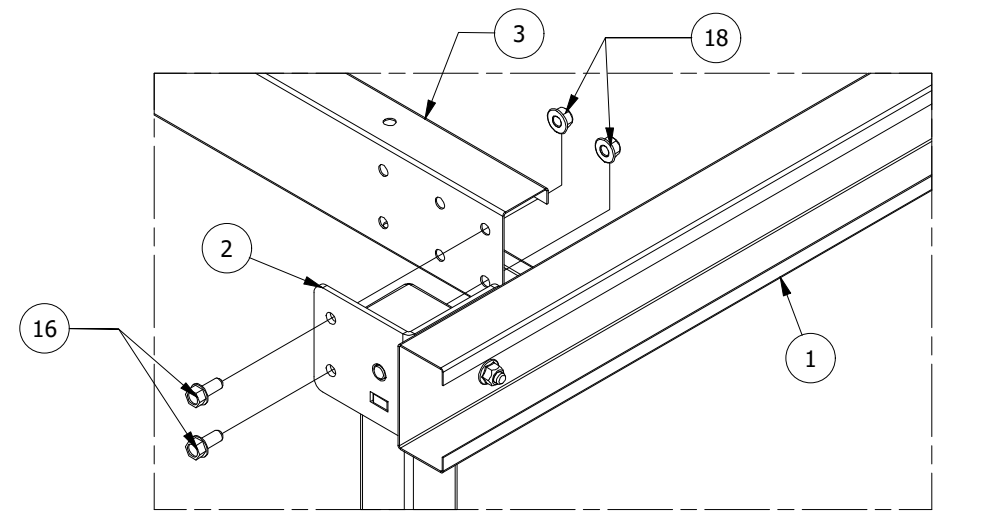
PROPRIETARY AND CONFIDENTIAL: THE INFORMATION CONTAINED HEREIN IS THE SOLE PROPERTY OF NUANCE ENERGY GROUP, INC. ANY REPRODUCTION IN PART OR WHOLE WITHOUT WRITTEN PERMISSION IS PROHIBITED. (C) COPYRIGHT 2013.
MACHINED FILLET RADII 0.38-1.27 [.015-.050]. BREAK ALL SHARP EDGES 0.2-0.8 [.01-.03] RADII OR 45°. SURFACE FINISH IN MICRO (P) INCHES (Ra). INTERPRET DRAWING PER ASME Y14.5, ASME Y14.36, AND AWS A2.4 STANDARDS.

DRAW: RODOLFO PEREIRA	03/23/2020	OSPREY POWERPLATFORM	
APPROVED: LUKE ASHWORTH	03/23/2020	TITLE Osprey PowerPlatform Portrait 2x7, Strut - 60 Cell - STD	
WEIGHT: N/A lb		MATERIAL: N/A	
GENERAL TOLERANCES:		SIZE	DWG NO
DECIMALS	ANGULAR	B	OSP-STRUT-60CELL-2X7 - STD
.X ± .1	∠ ± 1°	SCALE	REV
.XX ± .01		1:30	02
.XXX ± .005			SHEET 2 OF 10

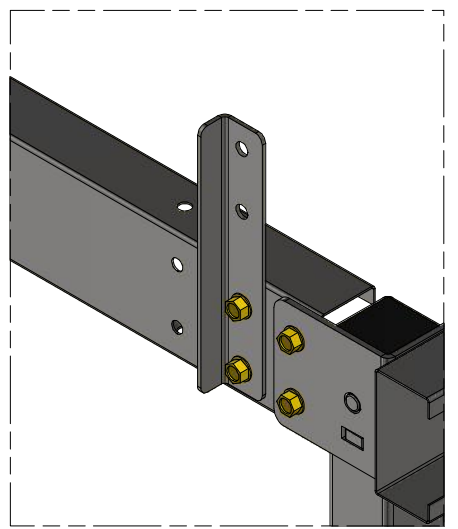
FOR STRUCTURAL ELEMENTS ONLY



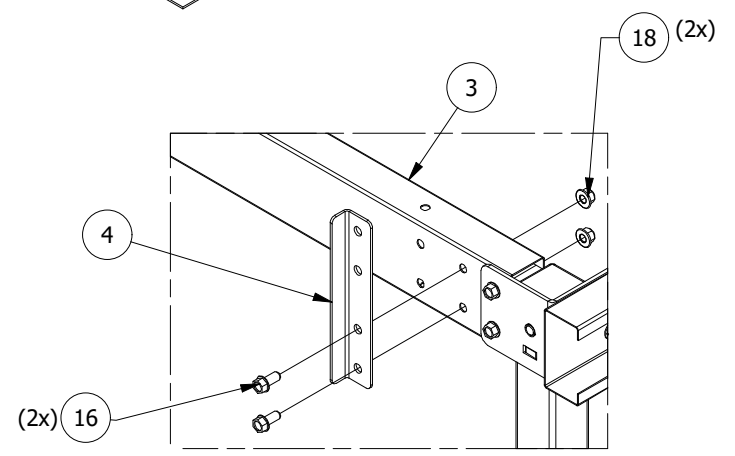
STEP 1.1



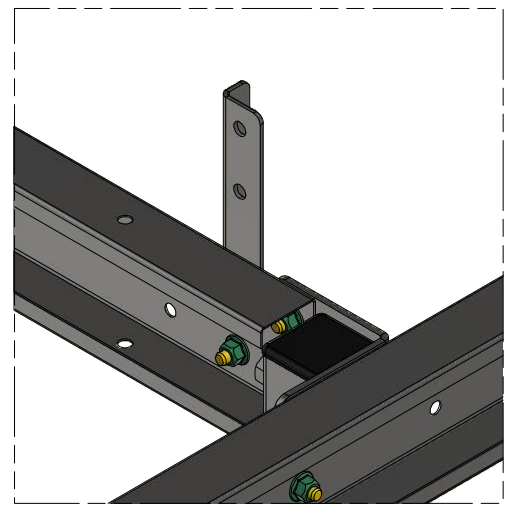
STEP 1.2



DETAIL E
SCALE 1:5



STEP 1.3



DETAIL F
SCALE 1:5

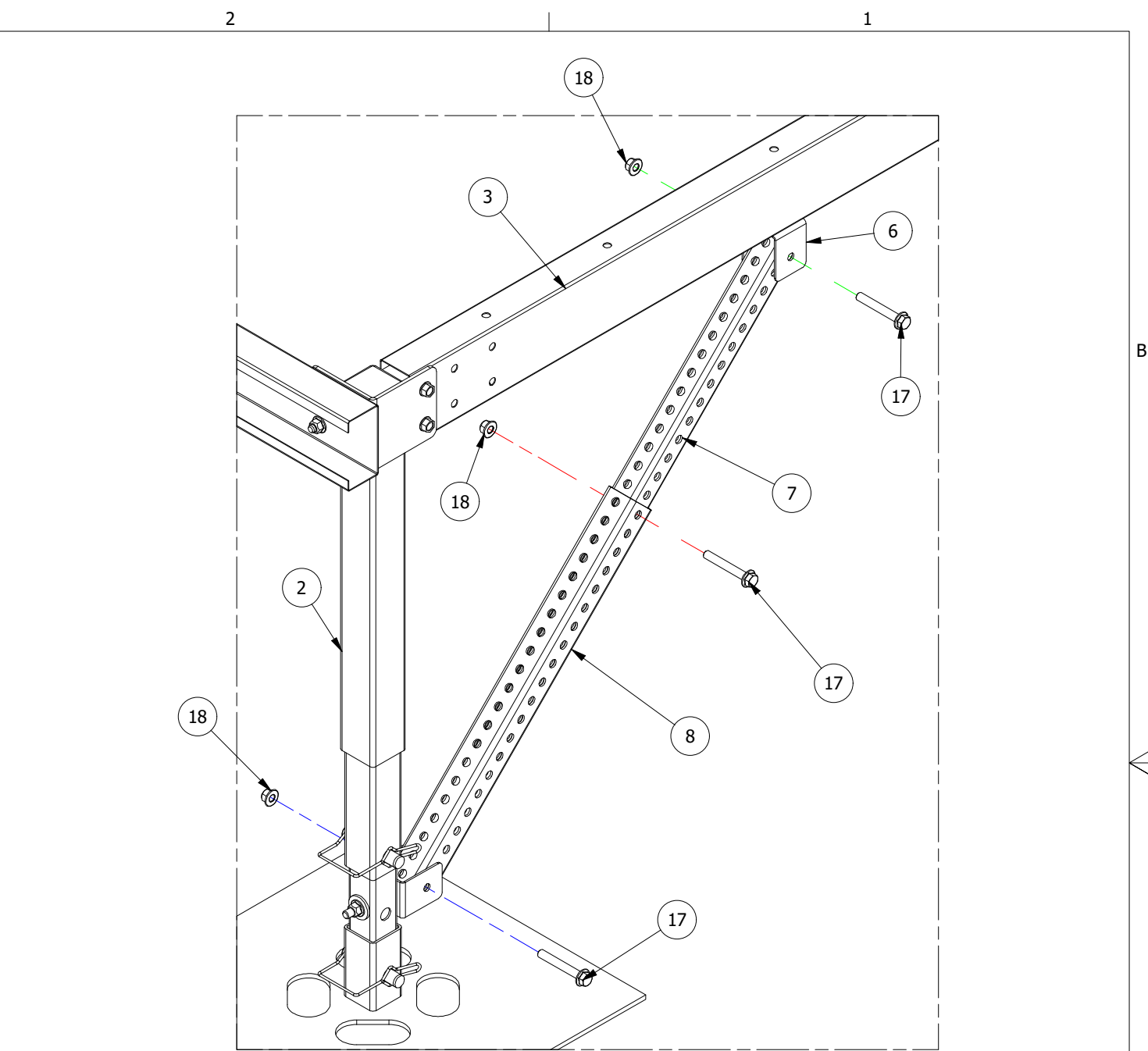
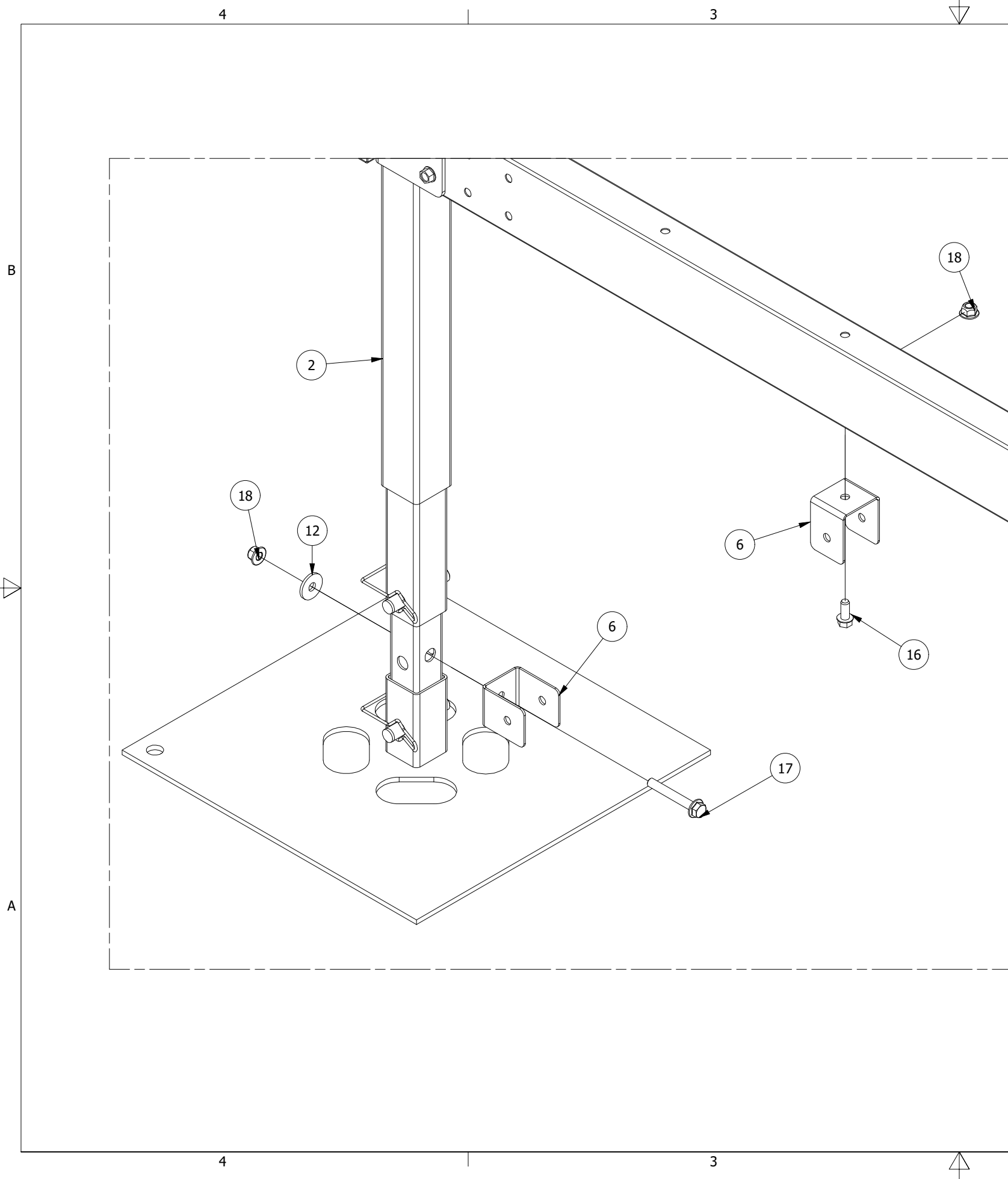
STAMP & SIGNATURE:
ENGINEERED POWER SOLUTIONS
1405 Spring Street, Suite 204
Paso Robles, CA 93446



PROPRIETARY AND CONFIDENTIAL: THE INFORMATION CONTAINED HEREIN IS THE SOLE PROPERTY OF NUANCE ENERGY GROUP, INC. ANY REPRODUCTION IN PART OR WHOLE WITHOUT WRITTEN PERMISSION IS PROHIBITED. (C) COPYRIGHT 2013.
MACHINED FILLET RADII 0.38-1.27 [.015-.050]. BREAK ALL SHARP EDGES 0.2-0.8 [.01-.03] RADII OR 45°. SURFACE FINISH IN MICRO (P) INCHES (Ra). INTERPRET DRAWING PER ASME Y14.5, ASME Y14.36, AND AWS A2.4 STANDARDS.

DRAW: RODOLFO PEREIRA		03/23/2020		OSPREY POWERPLATFORM	
APPROVED: LUKE ASHWORTH		03/23/2020			
WEIGHT: N/A lb				TITLE Osprey PowerPlatform Portrait 2x7, Strut - 60 Cell - STD	
GENERAL TOLERANCES:				MATERIAL: N/A	
DECIMALS	ANGULAR	SIZE	DWG NO	REV	
.X ± .1	∠ ± 1°	B	OSP-STRUT-60CELL-2X7 - STD	02	
.XX ± .01		SCALE	1:25	SHEET 3 OF 10	
.XXX ± .005					

FOR STRUCTURAL ELEMENTS ONLY

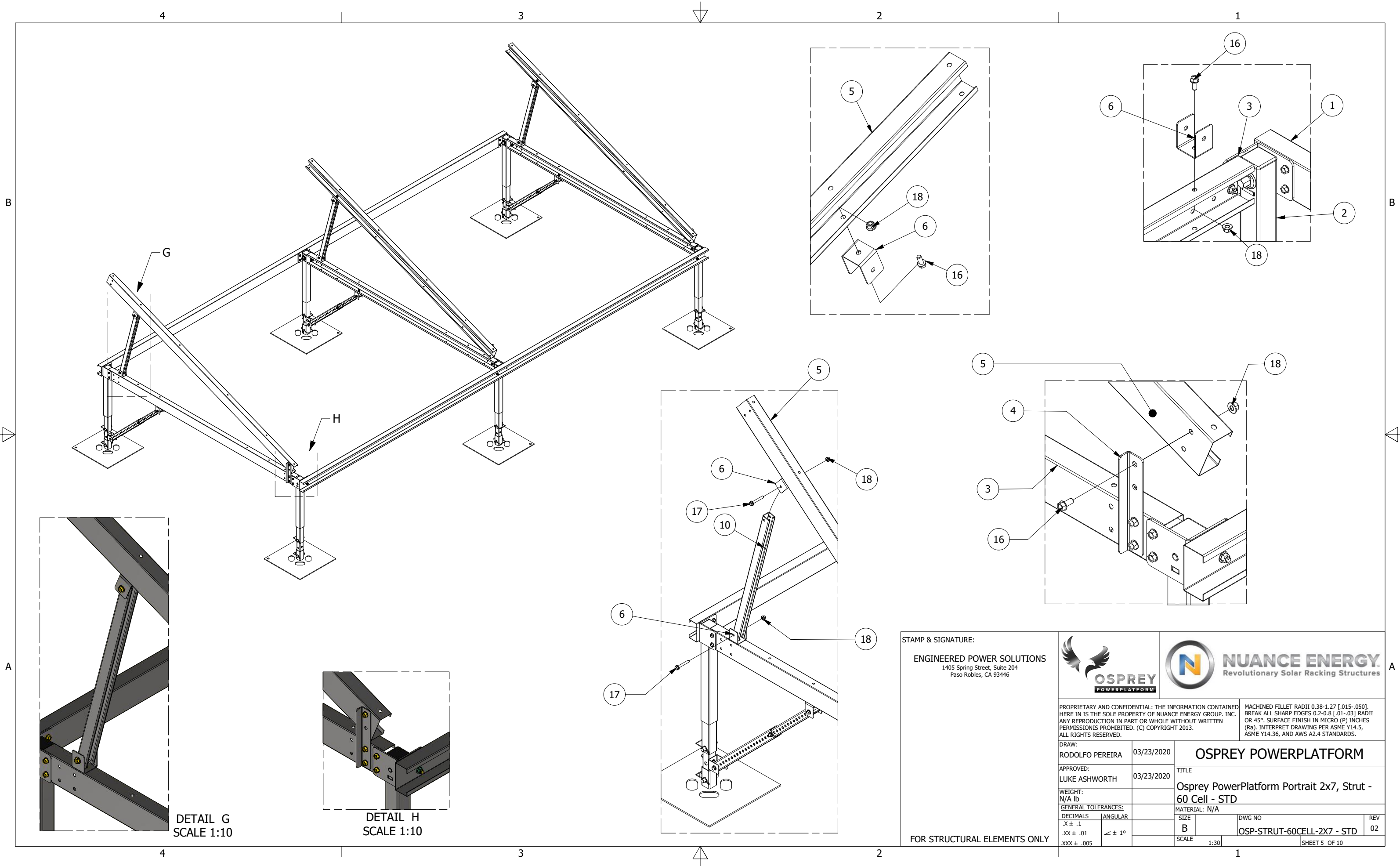


STAMP & SIGNATURE:
ENGINEERED POWER SOLUTIONS
 1405 Spring Street, Suite 204
 Paso Robles, CA 93446



PROPRIETARY AND CONFIDENTIAL: THE INFORMATION CONTAINED HEREIN IS THE SOLE PROPERTY OF NUANCE ENERGY GROUP, INC. ANY REPRODUCTION IN PART OR WHOLE WITHOUT WRITTEN PERMISSION IS PROHIBITED. (C) COPYRIGHT 2013.
 MACHINED FILLET RADII 0.38-1.27 [.015-.050]. BREAK ALL SHARP EDGES 0.2-0.8 [.01-.03] RADII OR 45°. SURFACE FINISH IN MICRO (P) INCHES (Ra). INTERPRET DRAWING PER ASME Y14.5, ASME Y14.36, AND AWS A2.4 STANDARDS.

DRAW: RODOLFO PEREIRA	03/23/2020	OSPREY POWERPLATFORM	
APPROVED: LUKE ASHWORTH	03/23/2020	TITLE Osprey PowerPlatform Portrait 2x7, Strut - 60 Cell - STD	
WEIGHT: N/A lb		MATERIAL: N/A	
GENERAL TOLERANCES:		SIZE B	DWG NO OSP-STRUT-60CELL-2X7 - STD
DECIMALS .X ± .1 .XX ± .01 .XXX ± .005	ANGULAR ≤ ± 1°	SCALE 1:7	REV 02
FOR STRUCTURAL ELEMENTS ONLY		SHEET 4 OF 10	



DETAIL G
SCALE 1:10

DETAIL H
SCALE 1:10

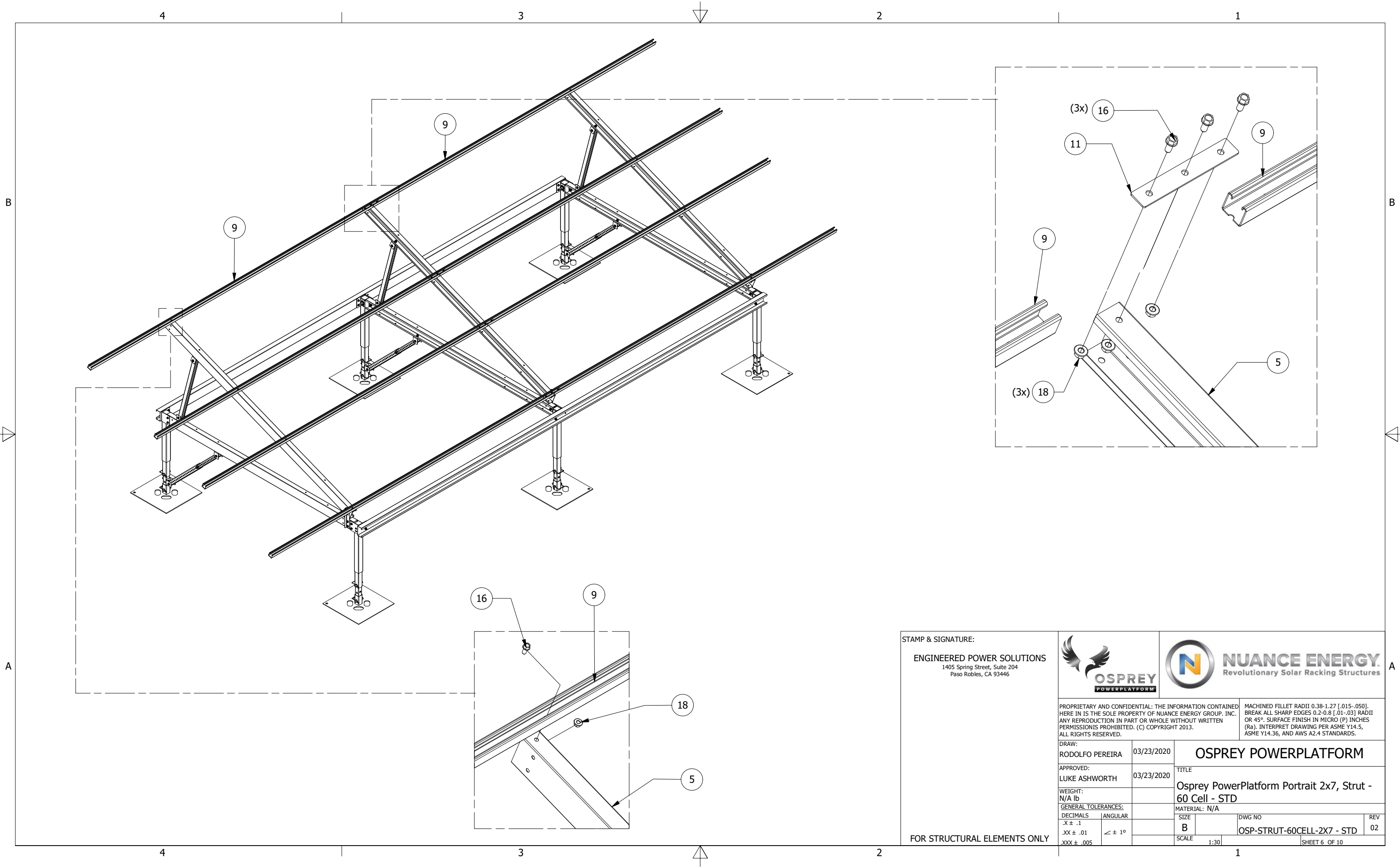
STAMP & SIGNATURE:
ENGINEERED POWER SOLUTIONS
 1405 Spring Street, Suite 204
 Paso Robles, CA 93446



PROPRIETARY AND CONFIDENTIAL: THE INFORMATION CONTAINED HEREIN IS THE SOLE PROPERTY OF NUANCE ENERGY GROUP, INC. ANY REPRODUCTION IN PART OR WHOLE WITHOUT WRITTEN PERMISSION IS PROHIBITED. (C) COPYRIGHT 2013.
 MACHINED FILLET RADII 0.38-1.27 [.015-.050].
 BREAK ALL SHARP EDGES 0.2-0.8 [.01-.03] RADII OR 45°. SURFACE FINISH IN MICRO (P) INCHES (Ra). INTERPRET DRAWING PER ASME Y14.5, ASME Y14.36, AND AWS A2.4 STANDARDS.

DRAW: RODOLFO PEREIRA	03/23/2020	OSPREY POWERPLATFORM	
APPROVED: LUKE ASHWORTH	03/23/2020	TITLE	
WEIGHT: N/A lb		Osprey PowerPlatform Portrait 2x7, Strut - 60 Cell - STD	
GENERAL TOLERANCES:		MATERIAL: N/A	
DECIMALS	ANGULAR	SIZE	DWG NO
.X ± .1	∠ ± 1°	B	OSP-STRUT-60CELL-2X7 - STD
.XX ± .01		SCALE	REV
.XXX ± .005		1:30	02
			SHEET 5 OF 10

FOR STRUCTURAL ELEMENTS ONLY



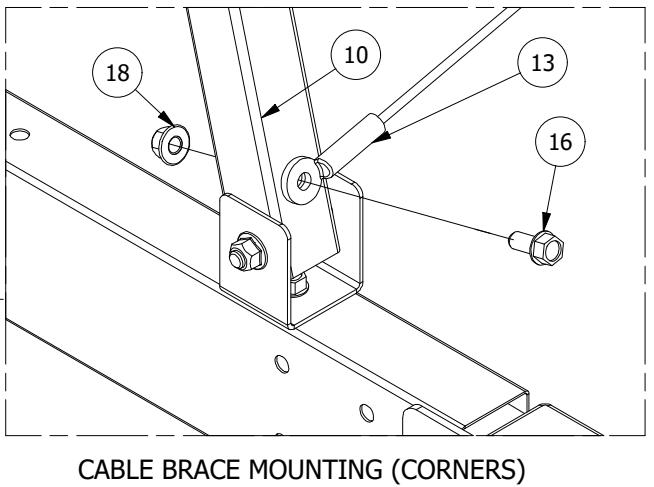
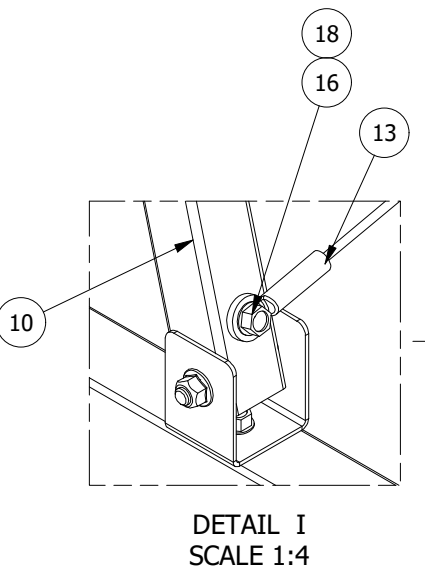
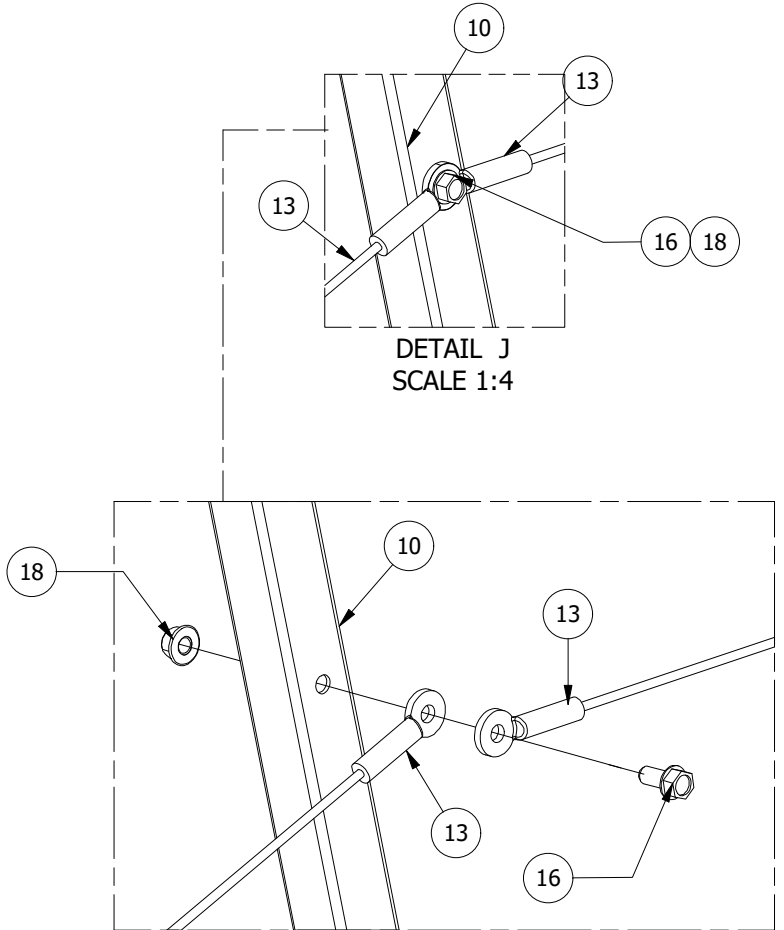
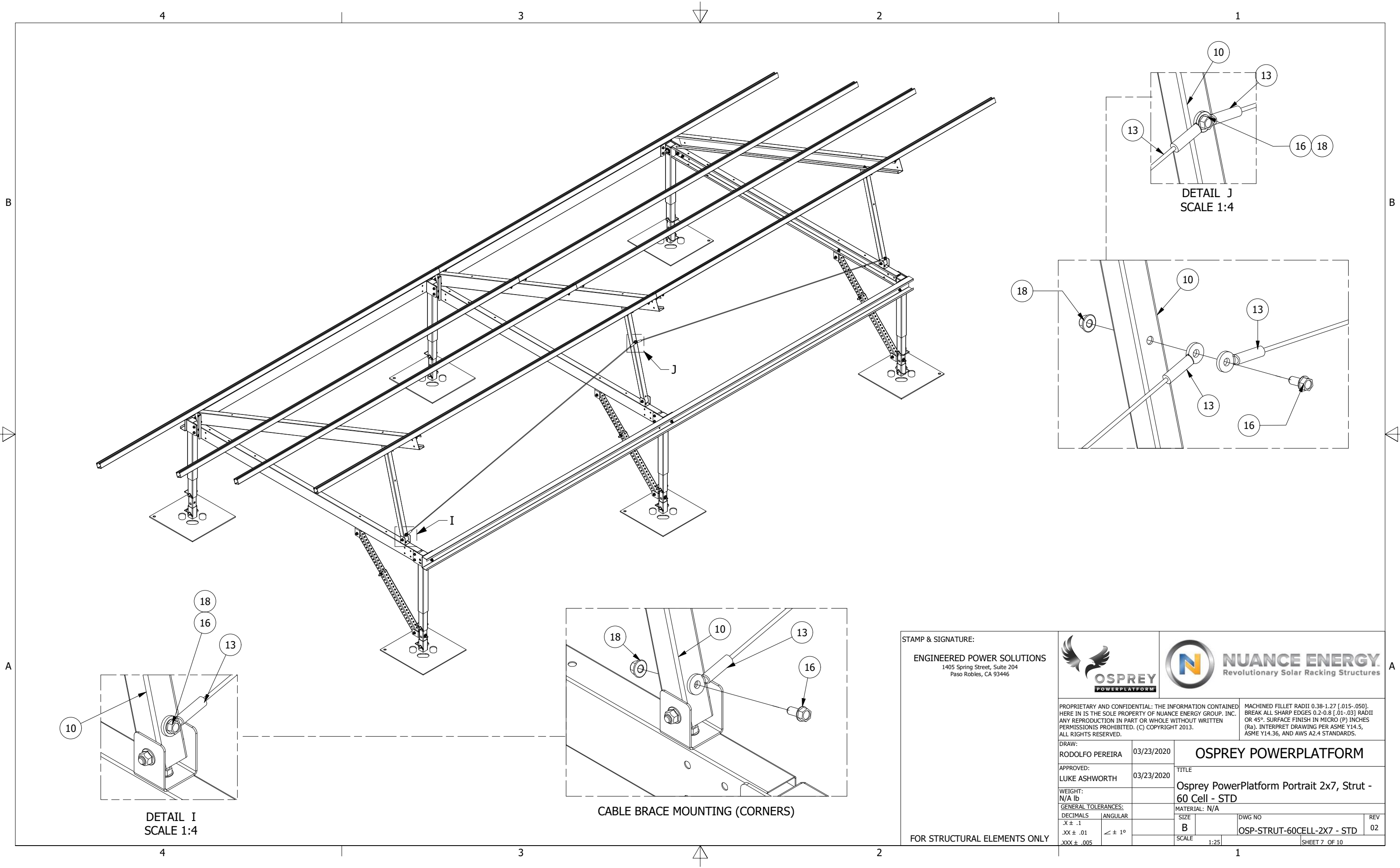
STAMP & SIGNATURE:
ENGINEERED POWER SOLUTIONS
 1405 Spring Street, Suite 204
 Paso Robles, CA 93446



PROPRIETARY AND CONFIDENTIAL: THE INFORMATION CONTAINED HEREIN IS THE SOLE PROPERTY OF NUANCE ENERGY GROUP, INC. ANY REPRODUCTION IN PART OR WHOLE WITHOUT WRITTEN PERMISSION IS PROHIBITED. (C) COPYRIGHT 2013.
 MACHINED FILLET RADII 0.38-1.27 [.015-.050]. BREAK ALL SHARP EDGES 0.2-0.8 [.01-.03] RADII OR 45°. SURFACE FINISH IN MICRO (P) INCHES (Ra). INTERPRET DRAWING PER ASME Y14.5, ASME Y14.36, AND AWS A2.4 STANDARDS.

DRAW: RODOLFO PEREIRA	03/23/2020	OSPREY POWERPLATFORM	
APPROVED: LUKE ASHWORTH	03/23/2020	TITLE Osprey PowerPlatform Portrait 2x7, Strut - 60 Cell - STD	
WEIGHT: N/A lb		MATERIAL: N/A	
GENERAL TOLERANCES:		SIZE	DWG NO
DECIMALS	ANGULAR	B	OSP-STRUT-60CELL-2X7 - STD
.X ± .1	∠ ± 1°	SCALE	REV
.XX ± .01		1:30	02
.XXX ± .005			

FOR STRUCTURAL ELEMENTS ONLY



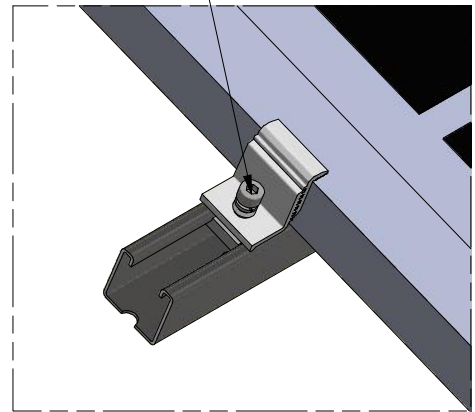
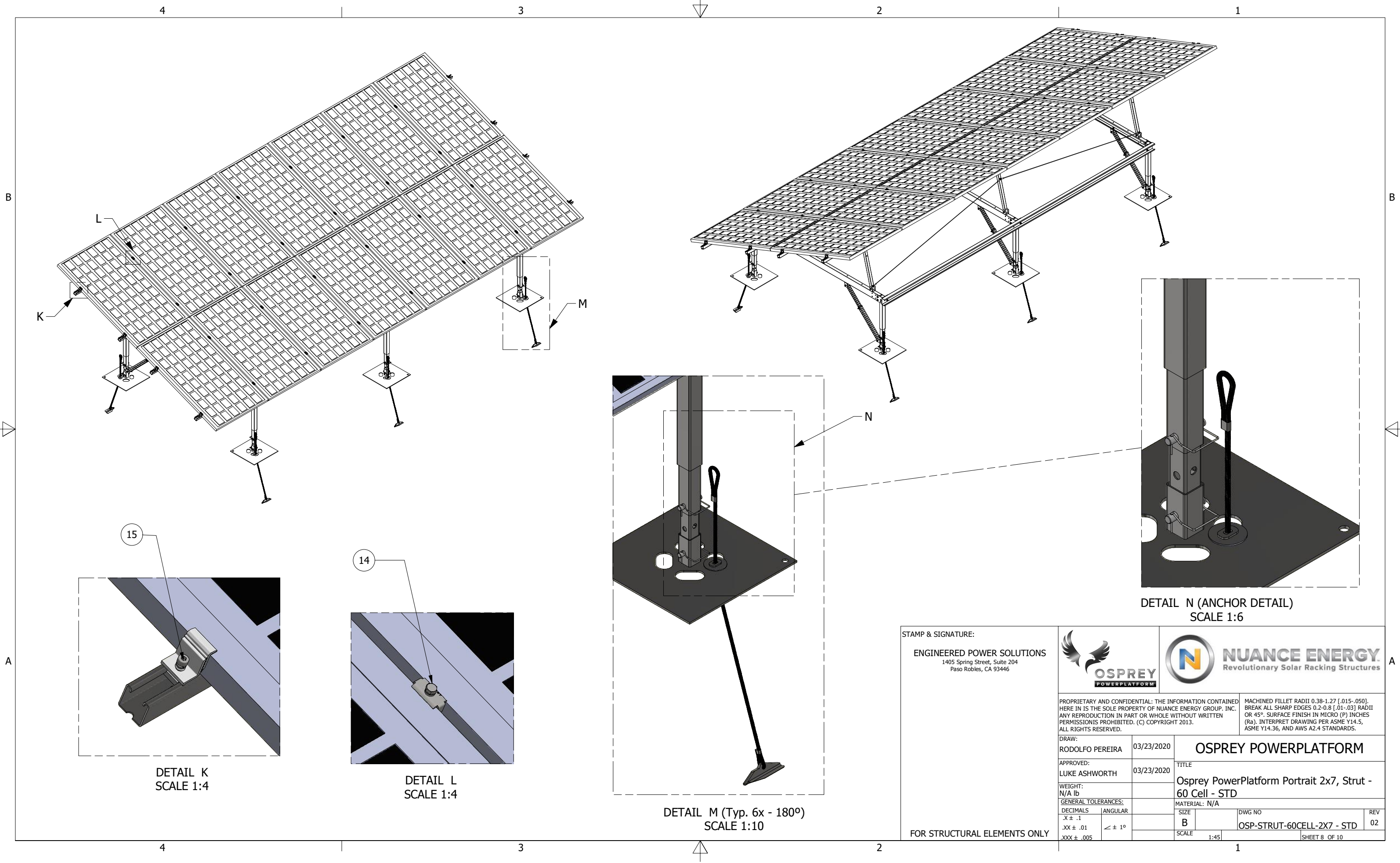
STAMP & SIGNATURE:
ENGINEERED POWER SOLUTIONS
 1405 Spring Street, Suite 204
 Paso Robles, CA 93446



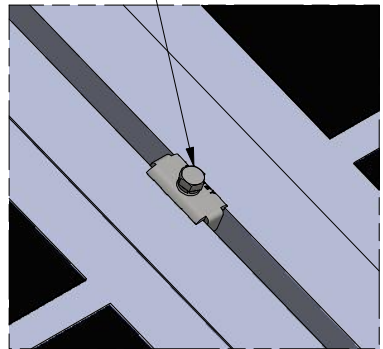
PROPRIETARY AND CONFIDENTIAL: THE INFORMATION CONTAINED HEREIN IS THE SOLE PROPERTY OF NUANCE ENERGY GROUP, INC. ANY REPRODUCTION IN PART OR WHOLE WITHOUT WRITTEN PERMISSION IS PROHIBITED. (C) COPYRIGHT 2013.
 MACHINED FILLET RADII 0.38-1.27 [.015-.050].
 BREAK ALL SHARP EDGES 0.2-0.8 [.01-.03] RADII OR 45°. SURFACE FINISH IN MICRO (P) INCHES (Ra). INTERPRET DRAWING PER ASME Y14.5, ASME Y14.36, AND AWS A2.4 STANDARDS.

DRAW: RODOLFO PEREIRA	03/23/2020	OSPREY POWERPLATFORM	
APPROVED: LUKE ASHWORTH	03/23/2020	TITLE Osprey PowerPlatform Portrait 2x7, Strut - 60 Cell - STD	
WEIGHT: N/A lb		MATERIAL: N/A	
GENERAL TOLERANCES:		SIZE B	DWG NO OSP-STRUT-60CELL-2X7 - STD
DECIMALS .X ± .1	ANGULAR ≤ ± 1°	SCALE 1:25	REV 02
.XX ± .01			SHEET 7 OF 10
.XXX ± .005			

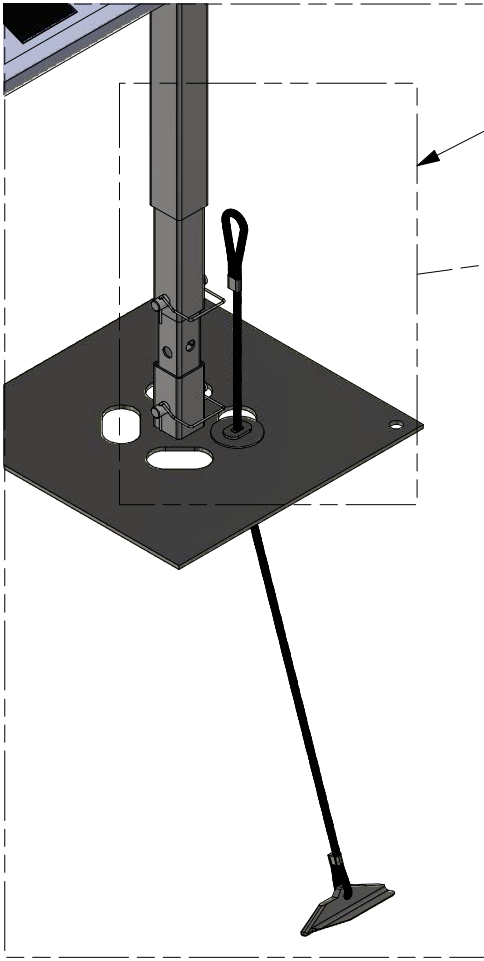
FOR STRUCTURAL ELEMENTS ONLY



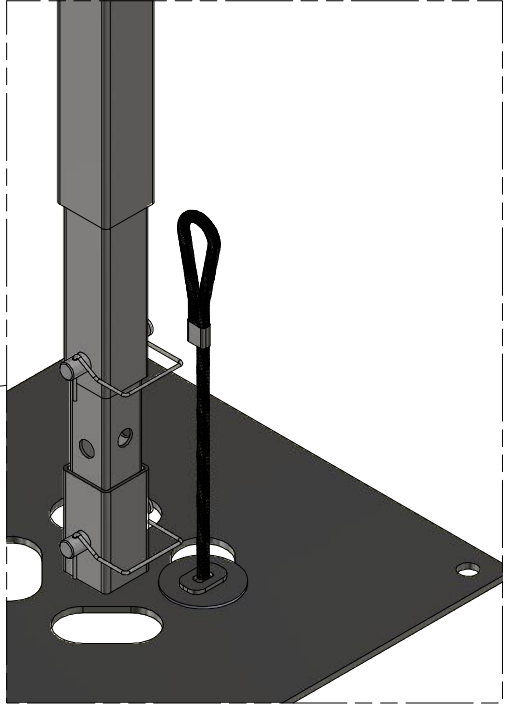
DETAIL K
SCALE 1:4



DETAIL L
SCALE 1:4



DETAIL M (Typ. 6x - 180°)
SCALE 1:10



DETAIL N (ANCHOR DETAIL)
SCALE 1:6

STAMP & SIGNATURE:
ENGINEERED POWER SOLUTIONS
1405 Spring Street, Suite 204
Paso Robles, CA 93446

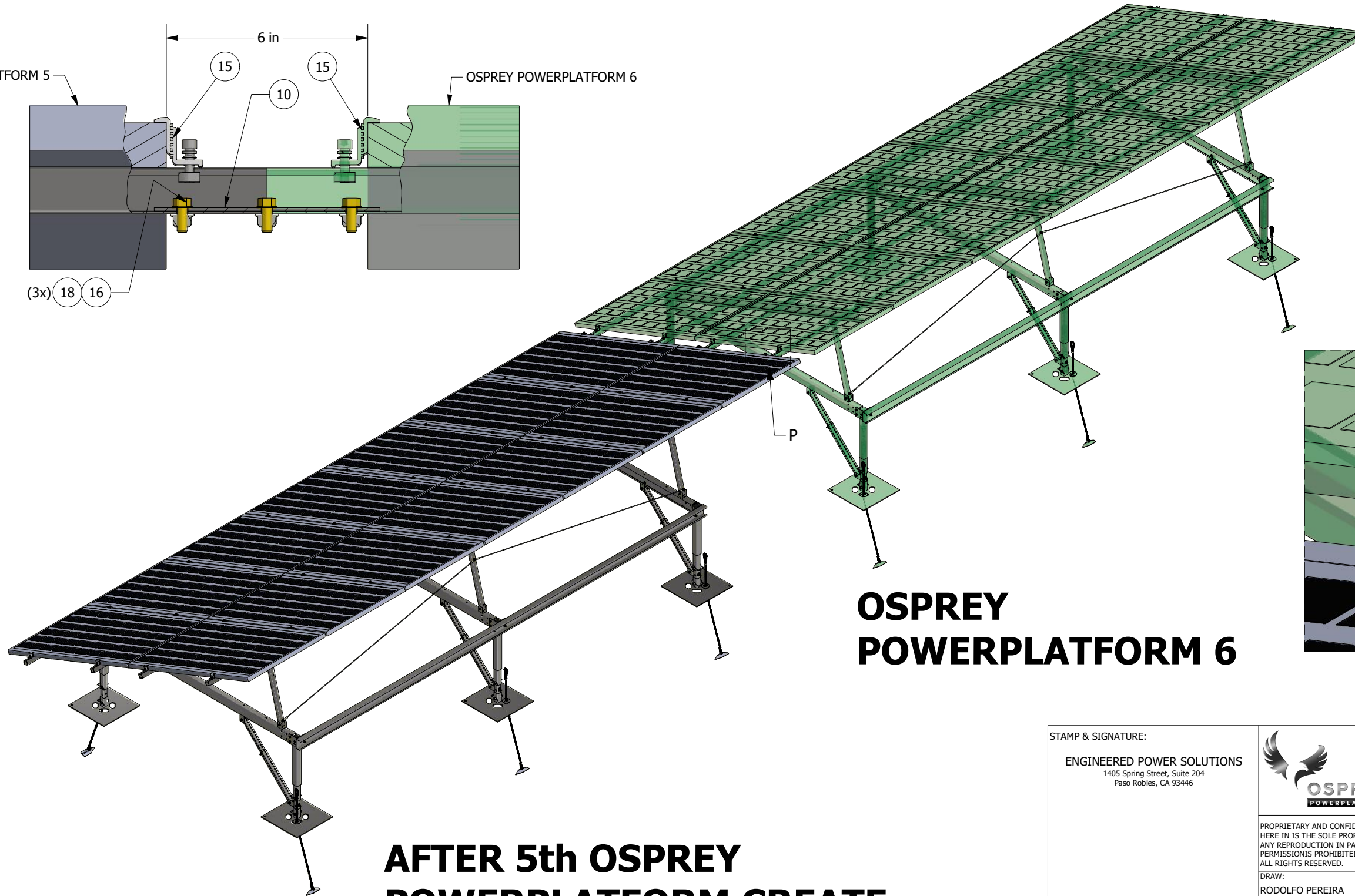
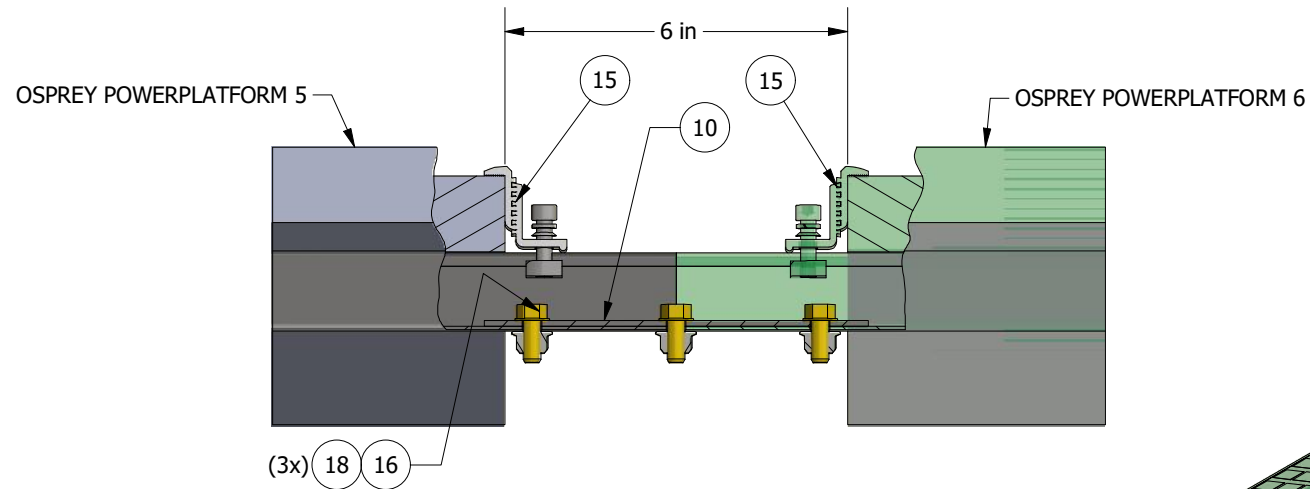


PROPRIETARY AND CONFIDENTIAL: THE INFORMATION CONTAINED HEREIN IS THE SOLE PROPERTY OF NUANCE ENERGY GROUP, INC. ANY REPRODUCTION IN PART OR WHOLE WITHOUT WRITTEN PERMISSION IS PROHIBITED. (C) COPYRIGHT 2013.
MACHINED FILLET RADII 0.38-1.27 [.015-.050]. BREAK ALL SHARP EDGES 0.2-0.8 [.01-.03] RADII OR 45°. SURFACE FINISH IN MICRO (P) INCHES (Ra). INTERPRET DRAWING PER ASME Y14.5, ASME Y14.36, AND AWS A2.4 STANDARDS.

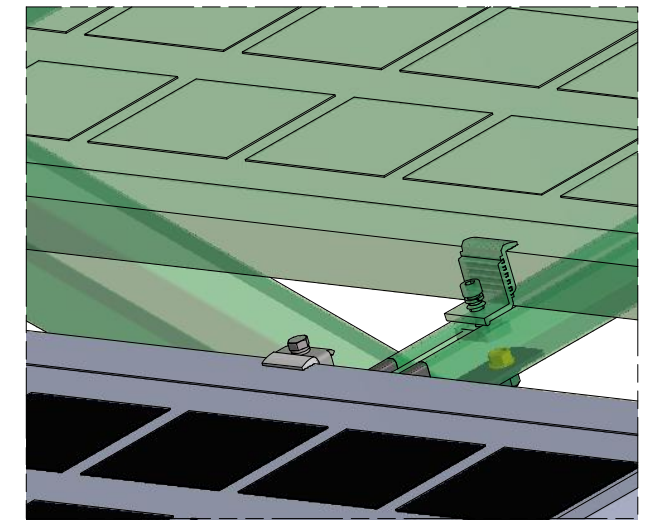
DRAW: RODOLFO PEREIRA	03/23/2020	OSPREY POWERPLATFORM	
APPROVED: LUKE ASHWORTH	03/23/2020	TITLE Osprey PowerPlatform Portrait 2x7, Strut - 60 Cell - STD	
WEIGHT: N/A lb		MATERIAL: N/A	
GENERAL TOLERANCES:		SIZE B	DWG NO OSP-STRUT-60CELL-2X7 - STD
DECIMALS .X ± .1	ANGULAR ∠ ± 1°	SCALE 1:45	REV 02
.XX ± .01			
.XXX ± .005			SHEET 8 OF 10

FOR STRUCTURAL ELEMENTS ONLY

(THERMAL EXPANSION GAP NEEDED AFTER 5 OSPREY CONNECTED TOGETHER)



OSPREY POWERPLATFORM 6



DETAIL P
SCALE 1:5

AFTER 5th OSPREY POWERPLATFORM CREATE EXPANSION GAP

STAMP & SIGNATURE:

ENGINEERED POWER SOLUTIONS
1405 Spring Street, Suite 204
Paso Robles, CA 93446



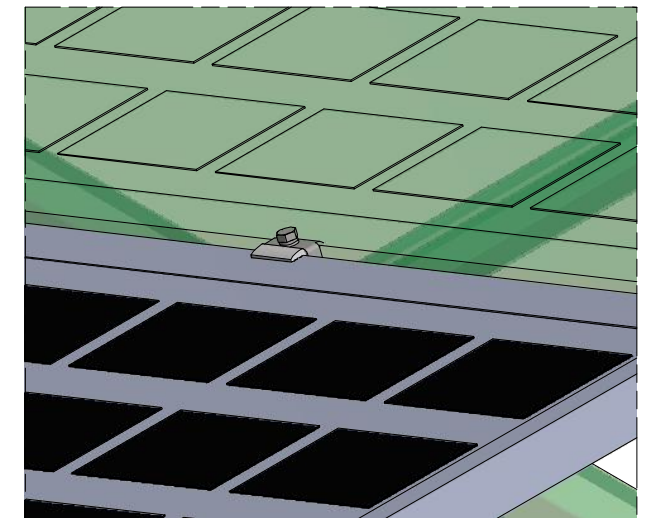
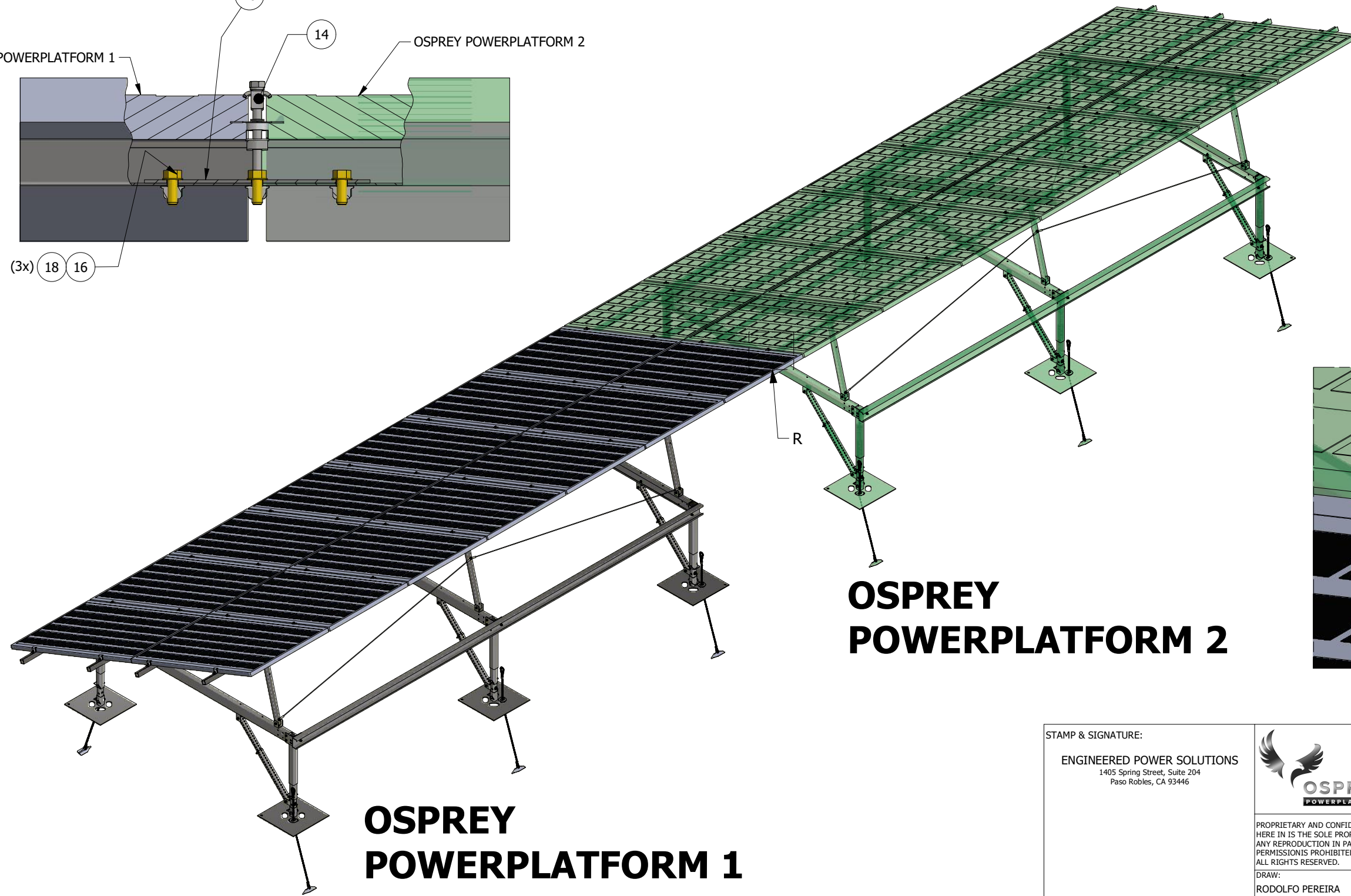
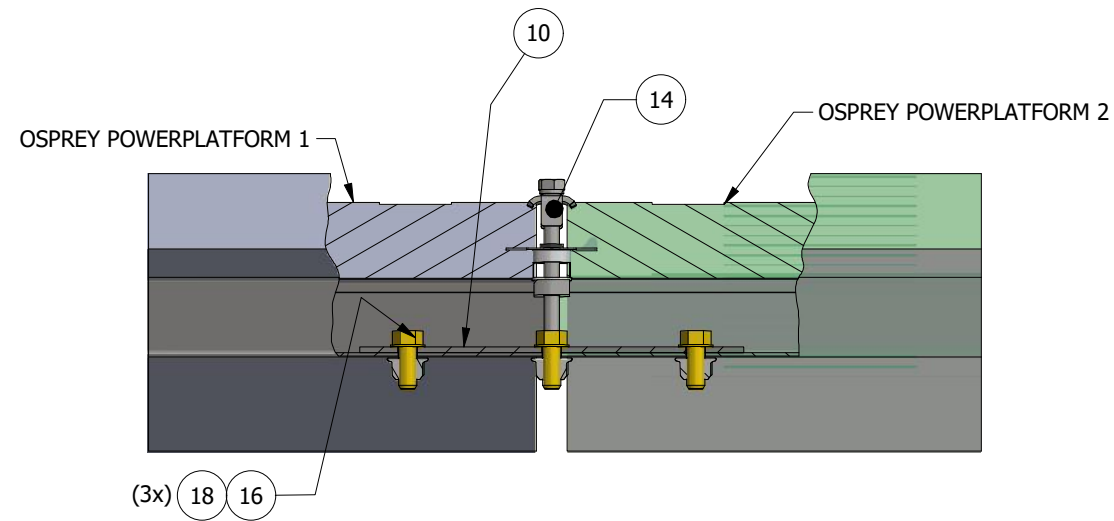
PROPRIETARY AND CONFIDENTIAL: THE INFORMATION CONTAINED HEREIN IS THE SOLE PROPERTY OF NUANCE ENERGY GROUP, INC. ANY REPRODUCTION IN PART OR WHOLE WITHOUT WRITTEN PERMISSION IS PROHIBITED. (C) COPYRIGHT 2013.

MACHINED FILLET RADII 0.38-1.27 [.015-.050].
BREAK ALL SHARP EDGES 0.2-0.8 [.01-.03] RADII OR 45°. SURFACE FINISH IN MICRO (P) INCHES (Ra). INTERPRET DRAWING PER ASME Y14.5, ASME Y14.36, AND AWS A2.4 STANDARDS.

DRAW: RODOLFO PEREIRA	03/23/2020	OSPREY POWERPLATFORM	
APPROVED: LUKE ASHWORTH	03/23/2020	TITLE	
WEIGHT: N/A lb		Osprey PowerPlatform Portrait 2x7, Strut - 60 Cell - STD	
GENERAL TOLERANCES:		MATERIAL: N/A	
DECIMALS	ANGULAR	SIZE	DWG NO
.X ± .1	∠ ± 1°	B	OSP-STRUT-60CELL-2X7 - STD
.XX ± .01		SCALE	REV
.XXX ± .005		1:40	02
			SHEET 9 OF 10

FOR STRUCTURAL ELEMENTS ONLY

(THERMAL EXPANSION GAP NEEDED CONNECTED TOGETHER)



DETAIL R
SCALE 1:5

**OSPREY
POWERPLATFORM 1**

**OSPREY
POWERPLATFORM 2**

STAMP & SIGNATURE:

ENGINEERED POWER SOLUTIONS
1405 Spring Street, Suite 204
Paso Robles, CA 93446



NUANCE ENERGY
Revolutionary Solar Racking Structures

PROPRIETARY AND CONFIDENTIAL: THE INFORMATION CONTAINED HEREIN IS THE SOLE PROPERTY OF NUANCE ENERGY GROUP, INC. ANY REPRODUCTION IN PART OR WHOLE WITHOUT WRITTEN PERMISSION IS PROHIBITED. (C) COPYRIGHT 2013.
MACHINED FILLET RADII 0.38-1.27 [.015-.050].
BREAK ALL SHARP EDGES 0.2-0.8 [.01-.03] RADII OR 45°. SURFACE FINISH IN MICRO (P) INCHES (Ra). INTERPRET DRAWING PER ASME Y14.5, ASME Y14.36, AND AWS A2.4 STANDARDS.

DRAW: RODOLFO PEREIRA	03/23/2020	OSPREY POWERPLATFORM	
APPROVED: LUKE ASHWORTH	03/23/2020	TITLE	
WEIGHT: N/A lb		Osprey PowerPlatform Portrait 2x7, Strut - 60 Cell - STD	
GENERAL TOLERANCES:		MATERIAL: N/A	
DECIMALS	ANGULAR	SIZE	DWG NO
.X ± .1	∠ ± 1°	B	OSP-STRUT-60CELL-2X7 - STD
.XX ± .01		SCALE	REV
.XXX ± .005		1:40	02

FOR STRUCTURAL ELEMENTS ONLY